



Commercial Exposed Wall Hydrants

QUARTER TURN NON-FREEZE WALL HYDRANT WITH EXPOSED HOSE CONNECTION

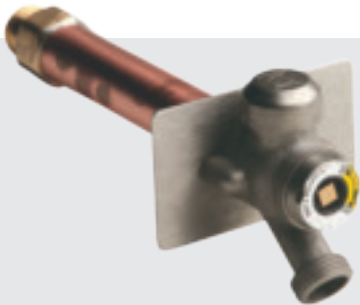


FIG. # 5609QT

Quarter-Turn Wall Hydrant

FUNCTION:

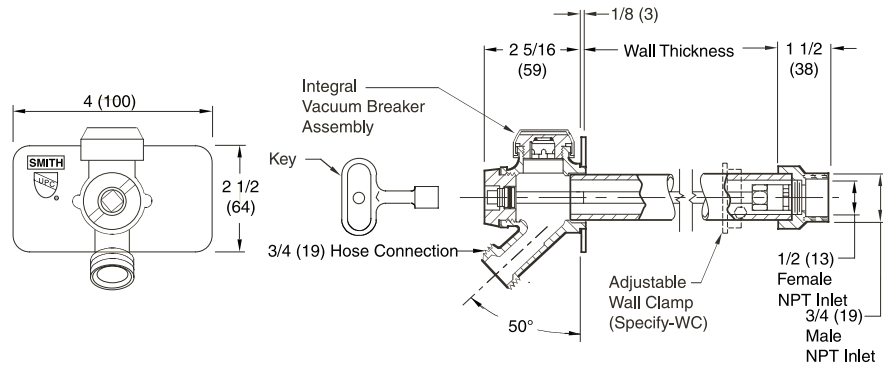
This non-freeze hydrant has a quarter-turn feature that allows for a full flow of water with a 1/4 turn of the key and the integral vacuum breaker provides positive non-freeze protection when water is required at the outside of the building. The hydrant can be installed on an interior wall and is adaptable to all types of wall construction.

SPECIFICATIONS:

- Complies with ASME A112.21.3M

PRODUCT FEATURES:

- Quarter-turn full-flow feature
- 3/4" (19) inlet and hose connection
- Removable "T" handle key
- Flush installation with backer plate
- Bronze nickel plated hydrant
- Mild climate, non-freeze hydrant with integral vacuum breaker and vandal resistant cap
- Commercial and light commercial construction applications
- Replacement parts are available in kit HPRK - 7.



FRONT VIEW

FIG. 5609QT

SIDE VIEW

NOTE: Dimensions shown in parentheses are in millimeters.

Regularly Furnished:

Bronze Nickel Plated Quarter Turn Non-Freeze Hydrant with 3/4" (19) Hose Connection, Backer Plate, Integral Vacuum Breaker with Vandal Resistant Cap and "T" Handle Key.

Variations:

- 1 - Adjustable Wall Clamp -WC
- 1" (25) Hose Connection -HC1
- 1" (25) Male NPT Inlet Connection -IC1
- Wheel Handle -WH

Optional Materials:

- Chrome Plated -CP
- Chrome Plated Backer Plate -BPCP
- Polished Bronze -PB
- Polished Bronze Backer Plate -BPPB

PATENT No. US 4,844,116.