

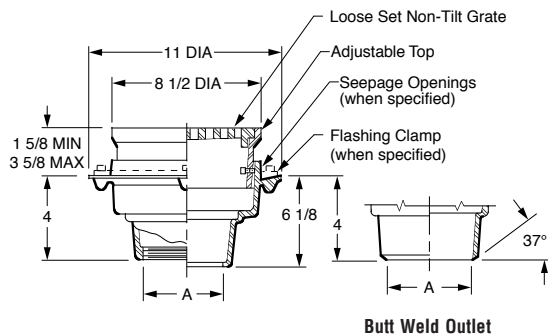


SPECIALTIES, STAINLESS AND CARBON STEEL

FIG. 9725 FLOOR DRAIN WITH 8 1/2" ROUND ADJUSTABLE TOP



FUNCTION: Used in moderate traffic areas where an adjustable top permits accurate positioning of grate to meet finished floor levels.



OUTLET VARIATIONS (Specify type of outlet and pipe size in inches.)

Outlet Type	Outlet Designation Outlet Type/Pipe Size	ADD
Butt Weld	BW02, BW03, BW04 Specify Schedule 5, 10, †40, or 80	POA
Inside Caulk	C02, C03, C04	POA
Threaded	T02, T03, T04	POA

OPTIONS:	ADD
-B Sediment Bucket (Type 304)	POA
-C Flashing Clamp (Type 304)	POA
-E04 4" Extension (Type 304)	POA
-FBS Flat Bottom Strainer (304)	POA
-SC Solid Scor Cover (Type 304)	POA
-SF Satin Finish Top	POA
-TP 3/4" Test Plug (for Closure Plug)	POA
-U Vandal Proof Grate	POA
-W Seepage Holes	POA
-XP Closure Plug and Gasket	
Plastic (XPP)	POA
Type 304SS (XPSS)	POA

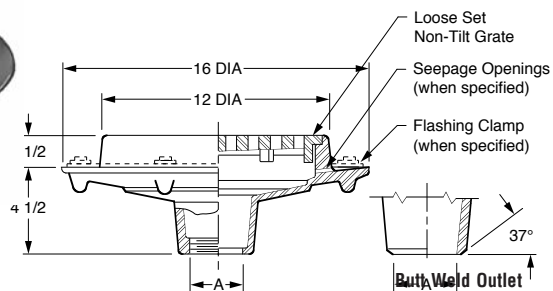
	DEDUCT
-CIG Cast Iron Grate	POA
-RNB Rough NB Grate	POA
-RB Rough Bronze Grate	POA

A OUTLET SIZE	FREE AREA SQ IN	†-CF8 (304) STAINLESS STEEL	-CF8M (316) STAINLESS STEEL	-A27 CARBON STEEL	APPROX. WT. LBS
02, 03, 04"	20.50	POA	POA	POA	30

REGULARLY FURNISHED: CF8 (Equivalent to Type 304) Rough Finish Stainless Steel Body, Loose Set Non-Tilt Grate with Adjustable Top.

FIG. 9730 FLOOR DRAIN WITH 12" ROUND HEAVY DUTY TOP

FUNCTION: Used in areas where waste water contains no sediment or debris and construction requires a shallow body.



OUTLET VARIATIONS (Specify type of outlet and pipe size in inches.)

Outlet Type	Outlet Designation Outlet Type/Pipe Size	ADD
Butt Weld	BW04, BW06 Specify Schedule 5, 10, †40, or 80	POA
Inside Caulk	C04, C06	POA
Threaded	T04, T06	POA

OPTIONS:	ADD
-C Flashing Clamp (Type 304)	POA
-SF Satin Finish Top	POA
-U Vandal Proof Grate	POA
-W Seepage Holes	POA

	DEDUCT
-CIG Cast Iron Grate	POA
-RNB Rough NB Grate	POA
-RB Rough Bronze Grate	POA

A OUTLET SIZE	FREE AREA SQ IN	†-CF8 (304) STAINLESS STEEL	-CF8M (316) STAINLESS STEEL	-A27 CARBON STEEL	APPROX. WT. LBS
04"	27.63	POA	POA	POA	52
06"	27.63	POA	POA	POA	54

REGULARLY FURNISHED: CF8 (Equivalent to Type 304) Rough Finish Stainless Steel Body and Loose Set Non-Tilt Grate.

FOR INFORMATION ON POA ITEMS, PLEASE CONTACT YOUR LOCAL JAY R. SMITH REPRESENTATIVE

