

ADC AD-333

30-lb x 2 Capacity OPL Dryer

Standard Features:

- 30-lb. x 2 capacity
- 10.1 cu. ft. volume
- 72,000 Btu/hr heat input, 400 cfm airflow per pocket
- Partial axial airflow
- Steel door with gasketless glass
- Single 8" diameter top exhaust connection
- 1/2" gas connection per pocket
- Fits through a standard 36" door
- Available in gas heat
- Available in gray, white and stainless steel front and cabinet



AD-333 OPL Stack Dryer

Why Purchase ADC AD-333?



Engineer Driven Design That is Built to Last

Our dryers showcase ADC's engineer-driven approach to design. Bearings are permanently lubricated on the motor and drive system. There are no chains used at ADC; rather, we use V-belts and pulleys that simplify serviceability and ensure smooth, quiet, and trouble free operation. Our dryer cabinets are electrostatically powder-painted inside and out then baked at 420-degrees fahrenheit before final assembly - ensuring the hardest surface and the longest lasting finish in the industry.

Rugged Steel Door with Gasketless Door Glass

Our dryer doors are one solid piece of steel with gasketless glass. This eliminates the issue of glass falling out due to wear and tear on rubber gaskets that some manufacturers use to secure their glass. The security and durability that gasketless glass provides is essential to a successful laundromat operation.

More for Less

The AD-333 incorporates all the state-of-the-art design features from the leader in stack dryer design-with simple controls, an easy-to-read LED screen and a large lightweight lint drawer that is accessible and easy to clean--only requiring cleaning once a day. It's fine stainless steel lint screen is standard. Available for coin or card ready, the AD-333 gives you all the benefits of ADC quality engineering at a low cost

Your local ADC independent authorized distributor



ADC AD-333

AD-333 Specifications

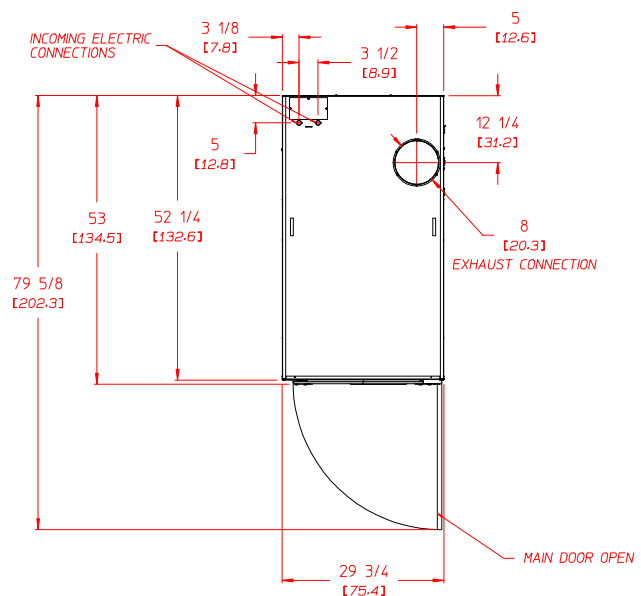
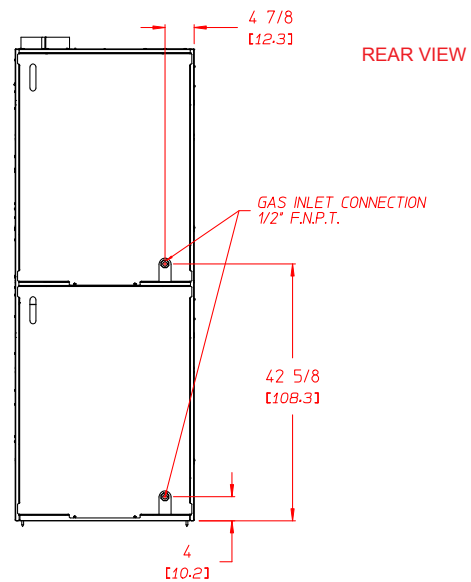
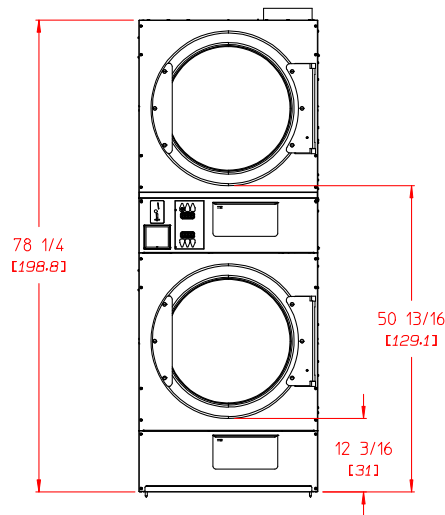
Tumbler Capacity (dry weight)	30 lbs. (13.60 kg) x 2	
Tumbler Diameter	27-1/4" (69.21 cm)	
Tumbler Depth	30" (76.20 cm)	
Tumbler Volume	10.1 cu ft (286 L)	
Tumbler/Drive Motor	1/2 hp (0.37 kW)	
Blower/Fan Motor	N/A	
Door Opening (Diameter)	21-1/2" (54.61 cm)	
Door Sill Height top pocket / bottom pocket	52-7/8" (134.3 cm) 14-1/4" (36.2 cm)	
Dryers per 20'/40' Container	11 / 22	
Dryers per 48'/53' Truck	30 / 33	
Width	29-3/4" (75.4 cm)	
Depth	53" (134.5 cm)	
Height	78-1/4" (198.8 cm)	
Airflow	60 Hz	400 cfm (11.3 cmm)
	50 Hz	340 cfm (9.6 cmm)
Exhaust Connection	8" (20.32 cm)	
GAS MODEL:	Voltage Available	120-240v 1,3ø 2,3w
	Approx. Net Wt.	675 lbs (306 kg)
	Approx. Ship Wt.	710 lbs (322 kg)
	Heat Input (per pocket)	72,000 btu/hr (18,143 kcal/hr)
	Inlet Pipe Connection (per pocket)	1/2" F.N.P.T.

Specifications in parentheses are metric equivalents.

7/12/12

Electrical Service Specifications

SERVICE VOLTAGE	PHASE	WIRE SERVICE	GAS		CIRCUIT BREAKER
			APPROX AMP DRAW		
			60 Hz	50 Hz	
120	1ø	2	8.7	--	15
208	1ø	2	5.2	--	15
240	1ø	2	4.8	--	15



TOP VIEW

web-only document 5/11



88 Currant Road Fall River, MA 02720-4781 • 508.678.9000 • Fax: 508.678.9447 • Email: sales@amdry.com

www.amdry.com