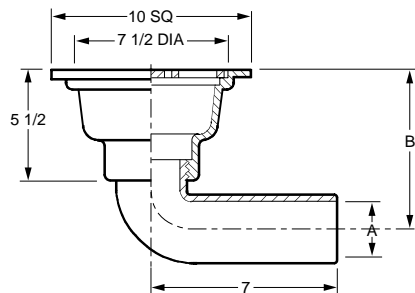




FLOOR DRAINS

FIG. 2285 LIGHT DUTY FLOOR DRAIN WITH HINGED GRATE

FUNCTION: Used in light traffic in on-grade areas where the hinged grate eliminates loss of grate.



OUTLET VARIATIONS (Specify type of outlet and pipe size in inches.)

Outlet Type	Outlet Designation Outlet Type/Pipe Size	ADD
Spigot	S02, S03, S04	N/C

OPTIONS:

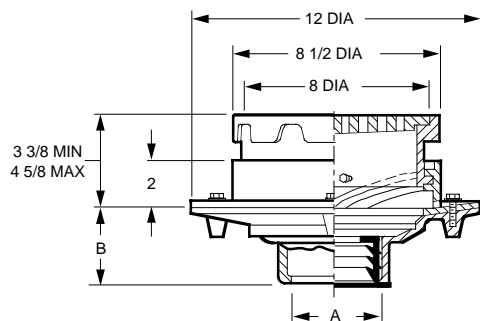
		ADD
-B	Sediment Bucket	84.00
-D	Hinged Dome Grate	120.00
-G	Galvanized CI	295.00
-U	Vandal Proof Grate	89.00

A OUTLET SIZE	TOP SIZE	FREE AREA SQ IN	B	†DUCO CI	DUCO CI PB TOP	DUCO CI NB TOP	APPROX. WEIGHT LBS
02"	10" SQ	16	8	419.00	1,042.00	1,064.00	20
03"	10" SQ	16	8 1/4	605.00	1,228.00	1,250.00	24
04"	10" SQ	16	8 1/2	850.00	1,473.00	1,495.00	29

REGULARLY FURNISHED: Duco Cast Iron Body and Slotted Hinged Grate.

FIG. 2310 MEDIUM DUTY FLOOR DRAIN WITH 8 1/2" ROUND ADJUSTABLE TOP

FUNCTION: Used in moderate traffic areas in any type of floor construction. Adjustable top collar permits accurate positioning of grate to meet finished floor level.



OUTLET VARIATIONS (Specify type of outlet and pipe size in inches.)

Outlet Type	Outlet Designation Outlet Type/Pipe Size	"B" Body HT. DIM.	ADD
Inside Caulk	C02, C03, C04	3 3/4"	N/C
Speedi-Set SW	L02, L03, L04	3 3/4"	N/C
Speedi-Set XH	LXH02, LXH03, LXH04	3 3/4"	N/C
Threaded	T02, T03, T04	2"	47.00
No-Hub	Y02, Y03, Y04	3 3/4"	N/C

OPTIONS:

		ADD
-B	Sediment Bucket	84.00
-D	Dome Grate, CI	50.00
-DBS	Dome Bottom Str, Alum	71.00
-DG	Deflector Grate	124.00
-DID*	Drain Installation Device	125.00
-DNB	Dome Grate, add to CI	441.00
-DPB	Dome Grate, add to CI	441.00
-E	Extension, ea 2" or fract	117.00
-FBSCI	Flat Bottom Strainer, CI	36.00
-G	Galvanized CI	329.00
-H	Hinged Grate	156.00
-M	Ductile Iron Grate	128.00
-P	Trap Primer Conn	99.00
-S	Square Top, CI	196.00
-SNB	Square Top, add to CI	571.00
-SPB	Square Top, add to CI	472.00
-U	Vandal Proof Grate	89.00
-XP	Closure Plug, 02, 03"	238.00
	04"	400.00

A OUTLET SIZE	TOP SIZE	FREE AREA SQ IN	†DUCO CI	DUCO CI PB TOP	DUCO CI NB TOP	APPROX. WEIGHT LBS
02, 03, 04"	8 1/2"	14.25	433.00	699.00	762.00	31

REGULARLY FURNISHED: Duco Cast Iron Body and Flashing Collar with Adjustable Top and Bar Grate.

*Requires body modifications. Must be shipped complete from the factory.

