

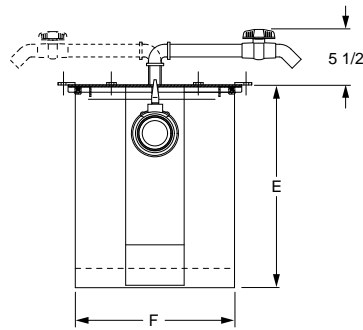


INTERCEPTORS

FIG. 8000GT SERIES STEEL GREASE INTERCEPTORS WITH SEMI-AUTOMATIC DRAW-OFF



FUNCTION: Used in all areas where grease, oil and fats must be intercepted and collected. Unique semi-automatic draw-off design permits removal of accumulated grease without cover removal. When specific directions are followed, accumulated grease in liquid form is discharged through the semi-automatic draw-off piping for convenient disposal. This design eliminates the messy cleaning job which must be done in ordinary types of interceptors.

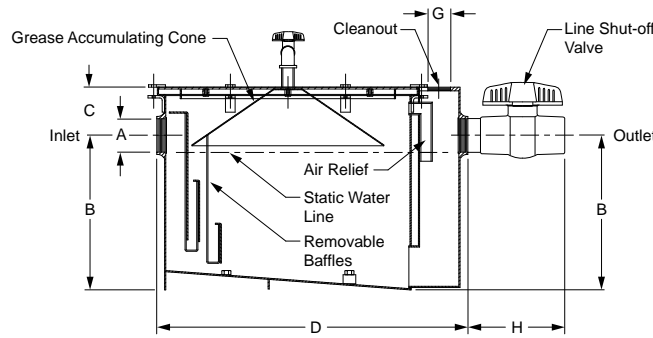


Front View

OPTIONS:

- Y With Bronze Line Shut-off Valve.....POA
- No-Hub Adaptor (2 req'd)See Fig. 2646Y

ADD



Side View
Fig. 8035GT Shown

FIGURE NO.	GPM FLOW RATE	GREASE CAP. LBS.	INLET & OUTLET SIZE A*	ROUGHING DIM			BODY		C.O PLUG SIZE G	LINE SHUT-OFF VALVE H	†DUCO COAT INSIDE AND OUTSIDE	ARC INSIDE OR OUTSIDE	ARC INSIDE AND OUTSIDE	APPROX. WT. LBS.
				B	C	D	E HEIGHT	F WIDTH						
8007GT	07	14	02"	8 1/2"	3 1/4"	19"	12"	10 3/4"	2"	6 3/4"	5,598.00	8,340.00	10,820.00	95
8010GT	10	20	02"	9 1/2"	3 3/4"	21 1/4"	13 1/4"	13"	2"	6 3/4"	6,621.00	9,418.00	11,950.00	110
8015GT	15	30	02"	12"	3 1/2"	25"	15 1/2"	14"	2"	6 3/4"	7,053.00	10,283.00	12,973.00	145
8020GT	20	40	03"	13"	4"	28 1/2"	17"	15 3/4"	2"	10"	9,068.00	12,819.00	15,773.00	130
8025GT	25	50	03"	15 1/4"	4 1/2"	30"	19 3/4"	16 3/4"	2"	10"	10,519.00	14,420.00	17,581.00	150
8035GT	35	70	03"	16"	5"	32 1/2"	21"	18 1/4"	2"	10"	10,791.00	14,832.00	18,201.00	180
8050GT	50	100	03"	17 1/2"	6 3/4"	35 1/2"	24 1/4"	20 3/4"	2"	10"	12,320.00	16,563.00	20,234.00	205
8075GT	75	150	04"	21 1/2"	15 1/2"	50"	37"	30 1/2"	3"	12 3/4"	14,656.00	18,333.00	23,158.00	250
LOW TYPE														
8120GT	20	40	03"	7"	3 1/2"	38 1/2"	10 1/2"	21 3/4"	2"	10"	10,460.00	14,291.00	17,591.00	140
8135GT	35	70	03"	7"	4 3/4"	49 1/2"	11 3/4"	27 3/4"	2"	10"	14,746.00	18,972.00	22,524.00	188
8150GT	50	100	03"	10"	6"	49 1/2"	16"	27 3/4"	2"	10"	18,089.00	22,691.00	27,593.00	213

*Available with larger inlet and outlet when specified. (Call for pricing)

REGULARLY FURNISHED: Steel Interceptor with Gray Duco Coating Inside and Outside with Steel Cone Draw-off Piping and Valve Line Shut-off Valve and Flow Control Fitting.

