

EcoWash EWH-30

30-lb Capacity Soft Mount/350 G-Force Coin Washer/Extractor

Features and Benefits:

- Coin or Card Ready
- Inverter Driven Motor
- Soft Mount
- Stainless Steel Cabinet
- Easy to Program and Easy to Use Controls
- Load Imbalance Detection Before Spinning
- Large, Convenient Supply Dispenser
- Flexible Water Level Settings
- Ergonomic, Easy-Grip Door Handle



EWH-30 Coin Washer/Extractor

Why Purchase ADC EcoWash?



Soft Mount

EcoWash high spin washer/extractors feature a heavy-duty cast aluminum counter weight and our automatic imbalance detection system. Together these provide maximum stability and gentler movement, prolonging the unit's life.

Durable Door Safety Lock and Handle

The durable ergonomic design of the door handle combined with our Easy Lock™ door lock provides maximum convenience and safety.

Large, Convenient Supply Dispenser

Easy to use, this large supply dispenser allows you to conveniently load your detergent, bleach and fabric softeners before starting your wash cycle.

Disconnect

All Ecowash washers feature a standard quick disconnect for immediate power shutoff to your washer, eliminating the need any additional cost of an external disconnect. This quick disconnect provides lockout/tagout capability to meet OSHA standards when performing preventative maintenance.

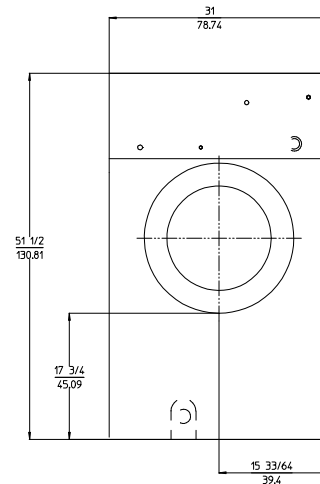
Your local ADC independent authorized distributor



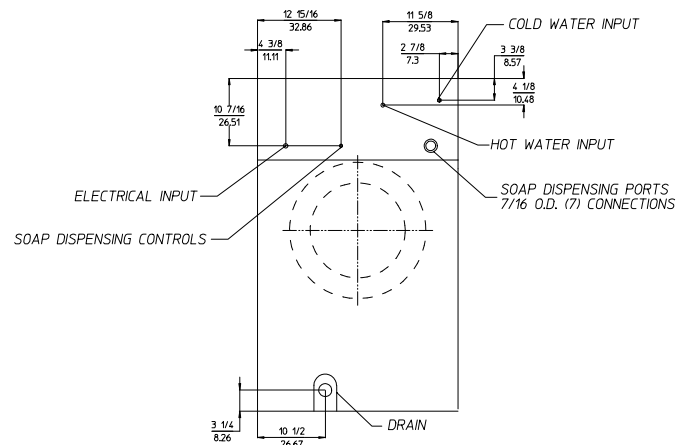
EcoWash EWH-30

350 G-Force High Spin Washer-Extractor

Features	EWH-30
DRUM	
Load Capacity (lb/kg)	30 / 13.60
Drum Volume (cu. ft./liter)	4.6 / 130
Drum Diameter (in/mm)	24.41 / 620
Drum Depth (in/mm)	16.94 / 430
DIMENSIONS	
Width (in/mm)	31 / 787
Depth (in/mm)	31-1/2 / 800
Height (in/mm)	51-1/2 / 1308
Weight (lb/Kg)	551 / 250
DIMENSIONS WITH PACKAGING	
Crated Width (in/mm)	32-1/2 / 826
Crated Depth (in/mm)	39-1/2 / 1003
Crated Height (in/mm)	59-1/2 / 1511
Crated Weight (lb/Kg)	591 / 268.07
DOOR	
Height to Bottom of Door	17-3/4 / 451
Door Opening Diameter (in/mm)	14-3/4 / 375
ELECTRICAL REQUIREMENT	
Voltage/Phase	208-240 / 1, 3 ϕ
Full load current / Breaker (amps) - 1 ϕ	6.35 / 15
Full load current / Breaker (amps) - 3 ϕ	4.51 / 15
CONNECTIONS	
Water Inlet (in/mm)	3/4 / 19.05
Steam Inlet (in/mm)	1/2 / 12.7
Drain (in/mm)	3 / 76.2
CYLINDER SPEED	
Washing speed (r.p.m.)	50
Spinning speed (r.p.m.)	1000
G-Force	350



FRONT VIEW



BACK VIEW



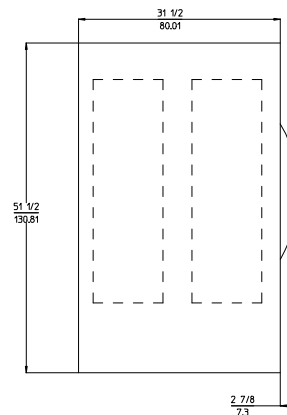
Intuitive Micro Controls (IMC®) That Makes Washing Easy For You and Your Customers

Intuitive Micro Controls (IMC®) is our programmable microprocessor that is customizable, easy to program and easy to use. You can simplify existing programs; modify or delete the temperature and times of each phase of the cycle, as well as modify water levels to achieve maximum savings in your Laundromat. Multi vend pricing capability also enables you to maximize your Laundromat's revenue.



88 Currant Road Fall River, MA 02720-4781 • 508.678.9000 • Fax: 508.678.9447 • Email: sales@amdry.com

* Specifications are subject to change without notice or obligation. Contact ADC for dimensions not shown or for clarification.



SIDE VIEW

P/N 450622 1/16/12
REV 3/29/12

www.amdry.com