

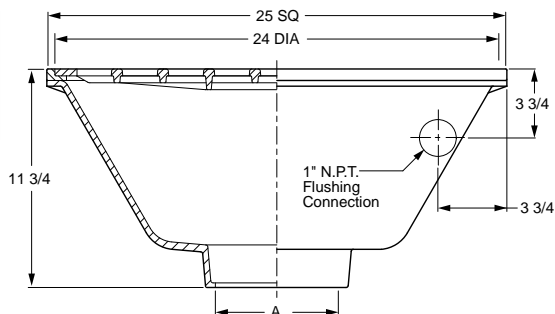


FLOOR DRAINS

FIG. 2508 LABORATORY AND ANIMAL DEN FLOOR DRAIN WITH SECURED GRATE



FUNCTION: Used in biology laboratories and animal dens. Large grate openings permit animal wastes and other solids to be washed into drain. The acid resistant coated interior and flushing feature serve to maintain a sanitary condition.



OUTLET VARIATIONS (Specify type of outlet and pipe size in inches.)

Outlet Type	Outlet Designation Outlet Type/Pipe Size	ADD
Inside Caulk	C04, C06, C08	N/C
No-Hub	Y04, Y06, Y08	See Fig. 2646Y

OPTIONS:

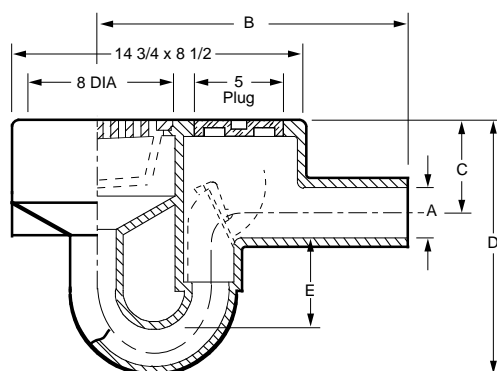
Option	Description	ADD
-B	Sediment Bucket	706.00
-G	Galvanized CI	976.00
-SC	Solid Scoriated Cover	10,871.00
-U	Vandal Proof Grate	124.00

A OUTLET SIZE	TOP SIZE	FREE AREA SQ IN	DUCO CI ARC IN PB TOP	DUCO CI ARC IN †NB TOP	APPROX. WEIGHT LBS
04, 06, 08"	25" SQ.	205	7,571.00	9,846.00	118

REGULARLY FURNISHED: Duco Cast Iron Body with Acid Resistant Coated Interior, Nickel Bronze Top with Secured Grate.

FIG. 2510 INTEGRAL TRAP AND FLOOR-LEVEL CLEANOUT DRAIN

FUNCTION: Used in moderate traffic areas where deep trap seal, floor level cleanout and shallow side outlet rough-in are required where limited space is available. Drain includes these features in one compact casting.



OUTLET VARIATIONS (Specify type of outlet and pipe size in inches.)

Outlet Type	Outlet Designation Outlet Type/Pipe Size	ADD
Spigot	S02, S03, S04	N/C

OPTIONS:

Option	Description	ADD
-B	Safe Set Sediment Bucket, CI	75.00
-D	Dome Grate, CI	50.00
-DNB	Dome Grate, add to CI	689.00
-DPB	Dome Grate, add to CI	602.00
-G	Galvanized CI	457.00
-H	Hinged Grate	156.00
	Hub Adaptor f/Aux Inlet	See Fig. 2645
-MBG	Ductile Iron Bucket & Grate	304.00
-N2	2" NPT Aux Inlet, ea	209.00
	2" Hub or Spigot Inlet, ea	286.00
-N15	1 1/2" NPT Aux Inlet, ea	209.00
-P	Trap Primer Conn	99.00
-U	Vandal Proof Grate	89.00
-V	Backwater Valve, 02"	364.00
	03"	402.00
	04"	438.00

A OUTLET SIZE	TOP SIZE	FREE AREA SQ IN	B	C	D	E SEAL	DUCO CI †DUCO CI	DUCO CI PB TOP	NB TOP	APPROX. WEIGHT LBS
02"	15 x 8"	14.24	16"	4 1/4"	11 3/4"	4"	763.00	1,189.00	1,228.00	40
03"	15 x 8"	14.24	15 3/4"	4"	13 1/2"	4 1/2"	1,202.00	1,628.00	1,667.00	52
04"	15 x 8"	14.24	16"	4 1/2"	15 3/4"	4 3/4"	1,261.00	1,687.00	1,726.00	72

REGULARLY FURNISHED: Duco Cast Iron Body and Grate with Bronze Cleanout Plug.

