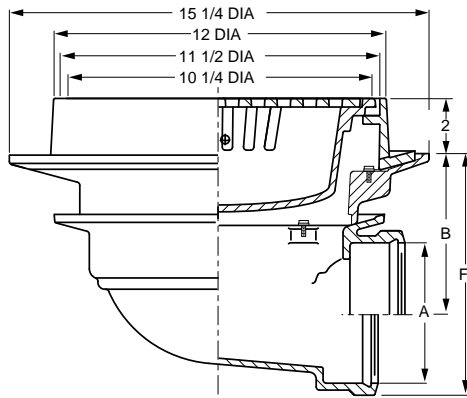




FLOOR DRAINS

FIG. 2235 MEDIUM DUTY FLOOR DRAIN WITH 12" ROUND TOP AND "SAFE SET" SEDIMENT BUCKET

FUNCTION: For general use where water contains solids or debris that must be intercepted. Large top is used where high flows are anticipated. "Safe-Set" design insures bucket replacement after cleaning since top grate cannot be inserted unless bucket is in place.



A OUTLET SIZE	TOP SIZE	FREE AREA SQ IN	B	†DUCO CI	DUCO CI PB TOP	DUCO CI NB TOP	APPROX. WEIGHT LBS
02"	12"	25.5	6 7/8"	1,179.00	1,574.00	1,636.00	71
03"	12"	25.5	6 3/8"	1,179.00	1,574.00	1,636.00	71
04"	12"	25.5	5 7/8"	1,179.00	1,574.00	1,636.00	71
05"	12"	25.5	5"	1,179.00	1,574.00	1,636.00	73
06"	12"	25.5	4 1/2"	1,179.00	1,574.00	1,636.00	73

REGULARLY FURNISHED: Duco Cast Iron Body and Flashing Collar with Cast Iron Grate and Slotted Sediment Bucket.

OUTLET VARIATIONS (Specify type of outlet and pipe size in inches.)

Outlet Type	Outlet Designation Outlet Type/Pipe Size	"F" Body HT. DIM.	ADD
Inside Caulk	C02	8 5/8"	N/C
	C03, C04	8 3/4"	N/C
	C05, C06	8 1/2"	N/C
Threaded	T02	8 5/8"	N/C
	T03, T04	8 3/4"	N/C
	T05, T06	8 1/2"	N/C
No-Hub	Y02	8 5/8"	N/C
	Y03, Y04	8 3/4"	N/C
	Y05, Y06	See Fig. 2646Y	

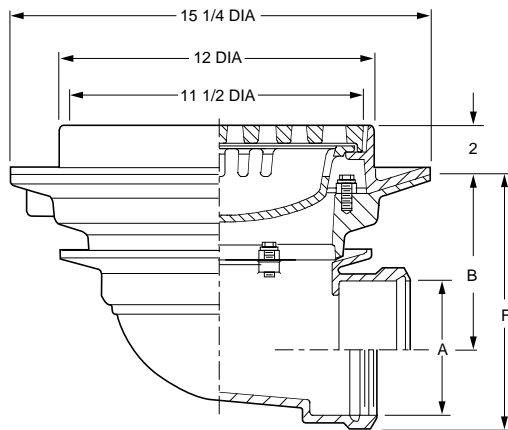
OPTIONS:

Option	Description	ADD
-G	Galvanized CI	589.00
-H	Hinged Grate	156.00
-MBG	Ductile Iron Bucket & Grate	452.00
-S	Square Top, CI	208.00
-SNB	Square Top, add to CI	753.00
-SPB	Square Top, add to CI	654.00
-U	Vandal Proof Grate	89.00

FLOOR DRAINS

FIG. 2238 HEAVY DUTY FLOOR DRAIN WITH 12" ROUND TOP W/TRACTOR GRATE AND SEDIMENT BUCKET

FUNCTION: Used in heavy trucking areas where debris is anticipated and must be intercepted. The suspended sediment bucket when set under the grate guarantees efficient interception of debris.



A OUTLET SIZE	TOP SIZE	FREE AREA SQ IN	B	†DUCO CI	DUCO CI PB TOP	DUCO CI NB TOP	APPROX. WEIGHT LBS
02"	12"	29	6 7/8"	1,179.00	1,574.00	1,636.00	74
03"	12"	29	6 3/8"	1,179.00	1,574.00	1,636.00	74
04"	12"	29	5 7/8"	1,179.00	1,574.00	1,636.00	74
05"	12"	29	5"	1,179.00	1,574.00	1,636.00	76
06"	12"	29	4 1/2"	1,179.00	1,574.00	1,636.00	76

REGULARLY FURNISHED: Duco Cast Iron Body and Flashing Collar with Cast Iron Tractor Grate and Slotted Sediment Bucket.

OUTLET VARIATIONS (Specify type of outlet and pipe size in inches.)

Outlet Type	Outlet Designation Outlet Type/Pipe Size	"F" Body HT. DIM.	ADD
Inside Caulk	C02	8 5/8"	N/C
	C03, C04	8 3/4"	N/C
	C05, C06	8 1/2"	N/C
Threaded	T02	8 5/8"	N/C
	T03, T04	8 3/4"	N/C
	T05, T06	8 1/2"	N/C
No-Hub	Y02	8 5/8"	N/C
	Y03, Y04	8 3/4"	N/C
	Y05, Y06	See Fig. 2646Y	

OPTIONS:

Option	Description	ADD
-BS	Bucket w/Mesh Screen	261.00
-D	Dome Grate, CI	84.00
-G	Galvanized CI	589.00
-M	Ductile Iron Grate	157.00
-S	Square Top, CI	208.00
-SC	Solid Scoriated Cover	354.00
-SNB	Square Top, add to CI	753.00
-SPB	Square Top, add to CI	654.00
-U	Vandal Proof Grate	89.00

