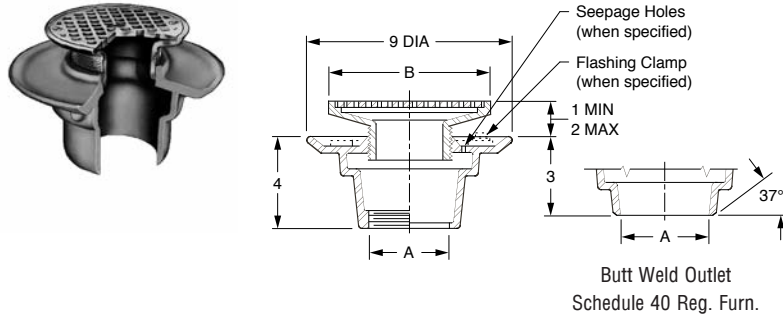




## SPECIALTIES, STAINLESS AND CARBON STEEL

### FIG. 9700 CAST SS BODY W/ ADJUSTABLE STRAINER HEAD AND SATIN FINISH CAST SS GRATE

**FUNCTION:** General service floor drain for use in finished areas where foot traffic is expected, and where a corrosion resistant drain is required.



**OUTLET VARIATIONS** (Specify type of outlet and pipe size in inches.)

Outlet Type	Outlet Designation	Outlet Type/Pipe Size	ADD
Butt Weld	BW02, BW03, BW04	Specify Schedule 5, 10, 40, or 80	POA
Inside Caulk	C02, C03		POA
Threaded	T02, T03, T04		POA

**OPTIONS:**

Option	Description	ADD
-B	Stainless Steel Sediment Bucket (Type 304)	POA
-C	Flashing Clamp with Seepage Openings (Type 304)	POA
-P	Trap Primer Connection	POA
-SC	Solid Cover (Type 304)	POA
-U	Vandal Proof Grate	POA
-WSH	With Seepage Holes	POA

A OUTLET SIZE	B STRAINER SIZE	FREE AREA SQ IN	†CF8 (304) STAINLESS STEEL	CF8M (316) STAINLESS STEEL	-A27 CARBON STEEL	APPROX. WT. LBS.
02, 03, 04"	†07" Dia	12.5	POA	POA	POA	15
02, 03, 04"	06 x 06" SQ	12.5	POA	POA	POA	15

**REGULARLY FURNISHED:** CF8 (Equivalent to Type 304)  
Rough Finish Stainless Steel Body and Round Adjustable Strainer Head with Satin Finished Top.

### FIG. 9703, 9704 ROUGH FINISH STAINLESS STEEL FUNNELS

**FUNCTION:** Used to receive waste water from indirect waste lines. Funnels are attached to the grate with concealed bolts permitting funnel to be moved to different positions on the grate.

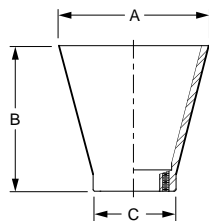


Fig. 9703

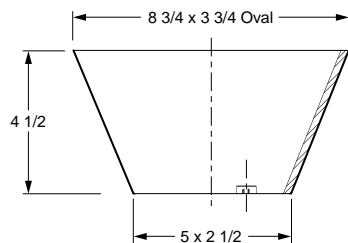


Fig. 9704

**OPTIONS:**

Option	Description	ADD
-NB	Nickel Bronze	See Fig 3580
-SF	Satin Finish	POA

FIGURE NO.	A TOP SIZE DIA	B	C	†CF8 (304) SS	-CF8M (316) SS	-A27 CARBON STEEL	APPROX. WT LBS.
9703	4"	4 1/4"	2 1/2"	POA	POA	POA	3
9703-6	6"	4 1/2"	2 1/2"	POA	POA	POA	4

FIGURE NO.	TOP SIZE	†CF8 (304) SS	-CF8M (316) SS	-A27 CARBON STEEL	APPROX. WT LBS.
9704	8 3/4 x 3 3/4"	POA	POA	POA	4

**REGULARLY FURNISHED:** CF8 (Equivalent to Type 304) Rough Finish Stainless Steel with Stainless Steel Bolts and Washers

FOR INFORMATION ON POA ITEMS, PLEASE CONTACT YOUR LOCAL JAY R. SMITH REPRESENTATIVE

