



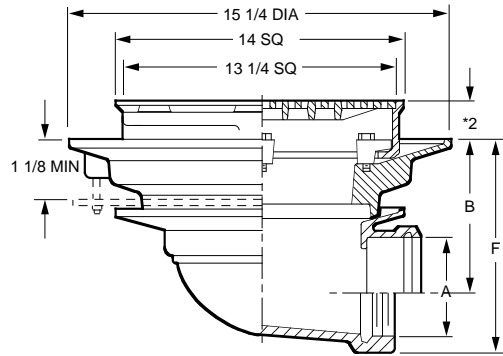
# ROOF DRAINS

## FIG. 1420 LARGE 14" DECK DRAIN

**FUNCTION:** Used in flat roofs and decks which are designed as parking decks or promenades for recreational purposes. Body and accessories are compatible for installation in all types of roof construction. Large square top blends in with "block" patterns and has sufficient open free area for proper drainage.



ROOF DRAINS



A OUTLET SIZE	TOP SIZE	B	FREE AREA SQ IN	†DUCO CI	DUCO CI PB TOP	DUCO CI NB TOP	APPROX. WEIGHT LBS
02"	14"	6 7/8"	50.25	958.00	1,454.00	1,572.00	47
03"	14"	6 3/8"	50.25	958.00	1,454.00	1,572.00	47
04"	14"	5 7/8"	50.25	958.00	1,454.00	1,572.00	47
05"	14"	5"	50.25	1,142.00	1,638.00	1,756.00	48
06"	14"	4 1/2"	50.25	1,142.00	1,638.00	1,756.00	48

**REGULARLY FURNISHED:** Duco Cast Iron Body and Flashing Clamp with Seepage Openings and Secured Square Hole Heavy Duty Grate.

### OUTLET VARIATIONS (Specify type of outlet and pipe size in inches.)

Outlet Type	Outlet Designation Type/Pipe Size	"F" Body HT. DIM.	ADD
Inside Caulk	C02,	8 5/8"	N/C
	C03, C04	8 3/4"	N/C
	C05, C06	8 1/2"	N/C
Threaded	T02	8 5/8"	N/C
	T03, T04	8 3/4"	N/C
	T05, T06	8 1/2"	N/C
No-Hub	Y02	8 5/8"	N/C
	Y03, Y04	8 3/4"	N/C
	Y05, Y06	See Fig. 2646Y	

### OPTIONS:

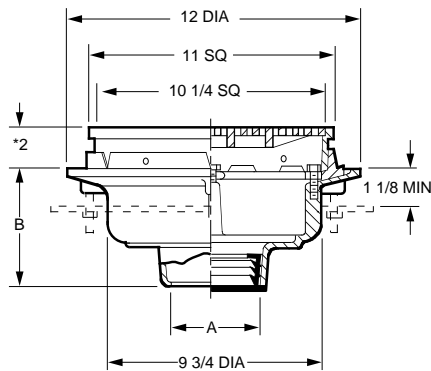
OPTION	DESCRIPTION	ADD
-B	Sediment Bucket	156.00
-C	Aluminum Underdeck Clamp	146.00
-C2	Sec Flashing Clamp	112.00
-CL	Angular Underdeck Clamp	296.00
-E	Extension, Up to 4" per inch over 4"	402.00 95.00
-G	Galvanized Cast Iron	540.00
-HP	Heelproof Grate	N/C
-M	Ductile Iron Grate	373.00
-NBM	DI Undergrate with NB Top, add to CI	986.00
-PBM	DI Undergrate with PB Top, add to CI	870.00
-R	Sump Receiver	164.00
-U	Vandal Proof Grate	89.00
-W	3/8" Weep Holes in Collar (When "Loose-Set" pavers are required)	117.00

**NOTE:** Floor drains or area drains used to drain areas subject to rainfall should have an open area equal to twice the cross sectional area of the connecting pipe.

\*Add 1/8" when bronze top is specified.

## FIG. 1450 MEDIUM - 11" SQUARE DECK DRAIN

**FUNCTION:** For use in small roof areas which are designed for promenade or recreational purposes. Square top design is compatible with "block" patterns. This drain should be used for small roof areas only and where light rainfall is expected.



A OUTLET SIZE	TOP SIZE	FREE AREA SQ IN	†DUCO CI	DUCO CI PB TOP	DUCO CI NB TOP	APPROX. WEIGHT LBS
02, 03, 04"	11"	31	659.00	1,050.00	1,110.00	48
05, 06"	11"	31	659.00	1,050.00	1,110.00	48

**REGULARLY FURNISHED:** Duco Cast Iron Body and Flashing Clamp with Seepage Openings and Secured Square Hole Light Duty Grate.

### OUTLET VARIATIONS (Specify type of outlet and pipe size in inches.)

Outlet Type	Outlet Designation Type/Pipe Size	B Body HT. DIM.	ADD
Inside Caulk	C02, C03, C04, C05, C06	6"	N/C
Speedi-Set SW	L02, L03, L04	6"	N/C
Speedi-Set XH	LXH02, LXH03, LXH04	6"	N/C
Threaded	T02, T03, T04, T05, T06	4 3/4"	47.00
No-Hub	Y02, Y03, Y04, Y05, Y06	6"	N/C

### OPTIONS:

OPTION	DESCRIPTION	ADD
-B	Sediment Bucket	156.00
-C	Underdeck Clamp	90.00
-C2	Sec Flashing Clamp	112.00
-CL	Angular Underdeck Clamp	296.00
-E	Extension per inch to 4"	52.00
-E04P	4" Perf SS Extension	383.00
-G	Galvanized Cast Iron	304.00
-HP	Heelproof Grate	N/C
-M	Ductile Iron Grate	330.00
-R	Sump Receiver	156.00
-U	Vandal Proof Grate	89.00

**NOTE:** Floor drains or area drains used to drain areas subject to rainfall should have an open area equal to twice the cross sectional area of the connecting pipe.

\*Add 3/16" when bronze top is specified.

