



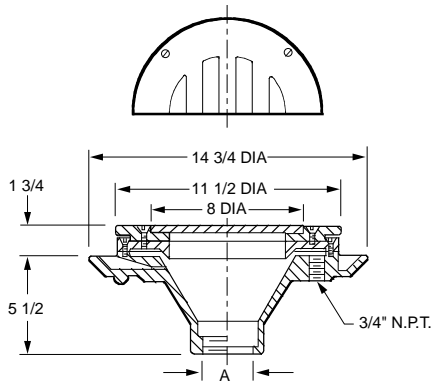
FLOOR DRAINS



FIG. 2502 FLUSHING TYPE LABORATORY AND INSTITUTIONAL DRAIN WITH 11 1/2" TOP AND INTEGRAL GRATE AND RIM

FUNCTION: Used in hospital operating rooms, cystoscopic and animal rooms where undesirable waste must be flushed to sewer. Particularly suitable for industrial and university laboratories. Used extensively in prisons, mental institutions and zoos as drain type water closets. Acid resistant coated interior and integral flushing rim maintain drain in sanitary condition.

2502
Same as
2500
with Integral
Grate and Rim



OUTLET VARIATIONS (Specify type of outlet and pipe size in inches.)

Outlet Type	Outlet Designation Outlet Type/Pipe Size	ADD
Inside Caulk	C02, C03, C04	N/C
Threaded	T02, T03, T04	47.00
No-Hub	Y02, Y03, Y04	See Fig. 2646Y

OPTIONS:

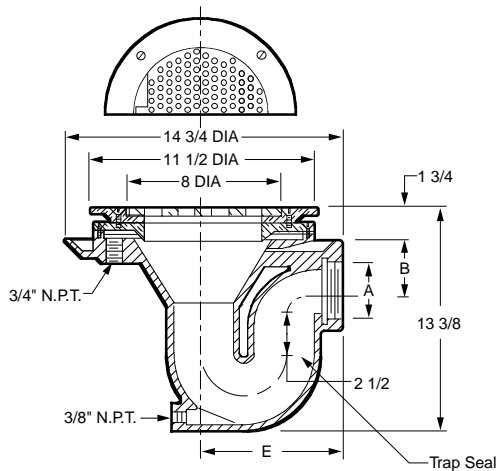
	ADD
-C Flashing Clamp	117.00
-SSB Stainless Steel Bucket	156.00

A OUTLET SIZE	TOP SIZE	FREE AREA SQ IN	DUCO CI ARC IN PB TOP	DUCO CI ARC IN †NB TOP	APPROX. WEIGHT LBS
02, 03, 04"	11 1/2"	17 1/2	1,506.00	1,623.00	20

REGULARLY FURNISHED: Duco Cast Iron Body and Flange with Acid Resistant Coated Interior and Nickel Bronze Top with Vandal Proof Screws.

FIG. 2505 FLUSHING TYPE LABORATORY AND INSTITUTIONAL DRAIN WITH 11 1/2" TOP AND HINGED PERFORATED GRATE

FUNCTION: Used in hospital operating rooms, cystoscopic and animal rooms where undesirable waste must be flushed to sewer. Particularly suitable for industrial and university laboratories. Used extensively in prisons, mental institutions and zoos as drain type water closets. Acid resistant coated interior and integral flushing rim maintain drain in sanitary condition.



OUTLET VARIATIONS (Specify type of outlet and pipe size in inches.)

Outlet Type	Outlet Designation Outlet Type/Pipe Size	ADD
Threaded	T02, T03, T04	N/C
No-Hub	Y02, Y03, Y04	See Fig. 2646Y

OPTIONS:

	ADD
-C Flashing Clamp	117.00
-SSB Stainless Steel Bucket	156.00

A OUTLET SIZE	TOP SIZE	FREE AREA SQ IN	B	E	DUCO CI ARC IN PB TOP	DUCO CI ARC IN †NB TOP	APPROX. WEIGHT LBS
02"	11 1/2"	10	3 5/8"	10 1/2"	1,404.00	1,521.00	50
03"	11 1/2"	10	3 1/8"	10 1/2"	1,458.00	1,575.00	50
04"	11 1/2"	10	2 15/16"	9 1/2"	1,458.00	1,575.00	50

REGULARLY FURNISHED: Duco Cast Iron Body and Flange with Acid Resistant Coated Interior and Nickel Bronze Top with Vandal Proof Screws.

