



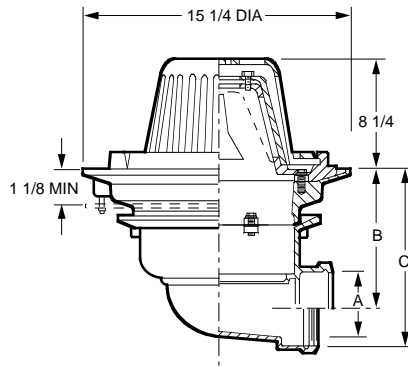
ROOF DRAINS

FIG. 1089 RAINROL® ROOF DRAINS



FUNCTION: Used to control the flow of rain water off a roof. Trapezoidal weirs limit the flow to the leader. Adjustable to provide various flow rates as required.

1089
Same as
1085 with
Side
Outlet



A OUTLET SIZE	FLANGE DIA.	B	FREE AREA SQ IN	†DUCO CI CI DOME	APPROX. WEIGHT LBS
02"	15 1/4"	6 7/8"	122	1,498.00	90
03"	15 1/4"	6 7/8"	122	1,498.00	90
04"	15 1/4"	5 7/8"	122	1,498.00	90

REGULARLY FURNISHED: Duco Cast Iron Body with Combined Flashing Clamp and Gravel Stop with Adjustable "Flow Rate Control" Assembly and Cast Iron Dome.

OUTLET VARIATIONS (Specify type of outlet and pipe size in inches.)

Outlet Type	Outlet Designation Outlet Type/Pipe Size	"C" Body HT. DIM.	ADD
Inside Caulk	C02	8 5/8"	N/C
	C03, C04	8 3/4"	N/C
Threaded	T02	8 5/8"	N/C
	T03, T04	8 3/4"	N/C
No-Hub	Y02	8 5/8"	N/C
	Y03, Y04	8 3/4"	N/C

OPTIONS:

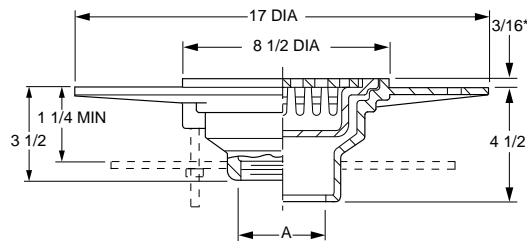
	ADD
-C Aluminum Underdeck Clamp	146.00
-C2 Secondary Flashing Clamp	112.00
-CIDG Galvanized Cast Iron Dome	218.00
-CL Angular Underdeck Clamp	296.00
-E 4" High Extension	402.00
per inch over 4"	95.00
-G Galvanized Cast Iron Body	582.00
-R Sump Receiver	164.00
-U Vandal Proof Dome	75.00
-WR Multiple Weir Openings**	N/C

**Specify Number of Weir Openings

ROOF DRAINS

FIG. DX1240 MEDIUM WIDE FLANGE BODY WITH "SAFE-SET" BUCKET

FUNCTION: Used in promenade roof decks where waterproof traffic bearing covering is to be applied. Sediment bucket prevents debris from entering the waste system.



A OUTLET SIZE	FLANGE DIA.	TOP SIZE	FREE AREA SQ IN	†DUCO CI CI TOP	DUCO CI PB TOP	DUCO CI NB TOP	APPROX. WEIGHT LBS
02, 03, 04"	17"	8 1/2"	9.25	526.00	792.00	855.00	27

REGULARLY FURNISHED: Duco Cast Iron Wide Flange Body with Grate and "Safe-Set" Sediment Bucket.

OUTLET VARIATIONS (Specify type of outlet and pipe size in inches.)

Outlet Type	Outlet Designation Outlet Type/Pipe Size	Body HT. DIM.	ADD
Inside Caulk	C02, C03, C04	4 1/2"	N/C
	Threaded	T02, T03, T04	3 1/2"
No-Hub	Y02, Y03, Y04	See Fig. 2646Y	

OPTIONS:

	ADD
-C Underdeck Clamp	138.00
-G Galvanized Cast Iron	414.00
-SH Securing Holes	74.00
-U Vandal Proof Grate	89.00

*Add 3/16" when bronze top is specified.

Use only where light rainfall is prevalent or in covered roof areas. When heavy rainfall is anticipated use DX1010 or DX2566.

