

# EcoWash EWH-60

## 60-lb Capacity Soft Mount/350 G-Force Coin Washer/Extractor

### Features and Benefits:

- Coin or Card Ready
- Inverter Driven Motor
- Soft Mount
- Stainless Steel Cabinet
- Easy to Program and Easy to Use Controls
- Load Imbalance Detection Before Spinning
- Large, Convenient Supply Dispenser
- Flexible Water Level Settings
- Ergonomic, Easy-Grip Door Handle



EWH-60 Coin Washer/Extractor

### Why Purchase ADC EcoWash?



#### Soft Mount

EcoWash high spin washer/extractors feature a heavy-duty cast aluminum counter weight and our automatic imbalance detection system. Together these provide maximum stability and gentler movement, prolonging the unit's life.

#### Durable Door Safety Lock and Handle

The durable ergonomic design of the door handle combined with our Easy Lock™ door lock provides maximum convenience and safety.

#### Large, Convenient Supply Dispenser

Easy to use, this large supply dispenser allows you to conveniently load your detergent, bleach and fabric softeners before starting your wash cycle.

#### Disconnect

All Ecowash washers feature a standard quick disconnect for immediate power shutoff to your washer, eliminating the need for any additional cost of an external disconnect. This quick disconnect provides lockout/tagout capability to meet OSHA standards when performing preventative maintenance.

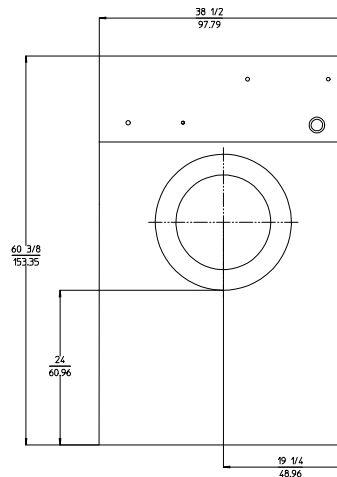
Your local ADC independent authorized distributor



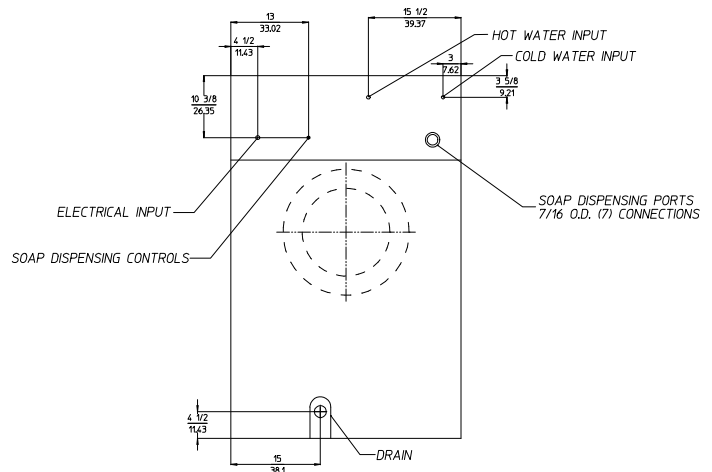
# EcoWash EWH-60

## 350 G-Force High Spin Washer-Extractor

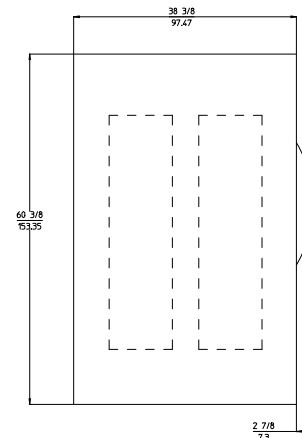
Features	EWH-60
<b>DRUM</b>	
Load Capacity (lb/kg)	60 / 25
Drum Volume (cu. ft./liter)	8.82 / 250
Drum Diameter (in/mm)	30.31 / 770
Drum Depth (in/mm)	20.86 / 530
<b>DIMENSIONS</b>	
Width (in/mm)	38-1/2 / 977
Depth (in/mm)	38-3/8 / 974
Height (in/mm)	60-3/8 / 1533
Weight (lb/Kg)	1080 / 490
<b>DIMENSIONS WITH PACKAGING</b>	
Crated Width (in/mm)	40-1/4 / 1022
Crated Depth (in/mm)	46-1/2 / 1181.1
Crated Height (in/mm)	69-3/8 / 1762
Crated Weight (lb/Kg)	1140 / 517.10
<b>DOOR</b>	
Height to bottom of Door	24 / 609
Door Opening Diameter (in/mm)	14-3/4 / 375
<b>ELECTRICAL REQUIREMENT</b>	
Voltage/Phase	208-240 / 1, 3 $\phi$
Full load current / Breaker (amps) - 1 $\phi$	13 / 20
Full load current / Breaker (amps) - 3 $\phi$	9.54 / 15
<b>CONNECTIONS</b>	
Water Inlet (in/mm)	3/4 / 19.05
Steam Inlet (in/mm)	1/2 / 12.7
Drain (in/mm)	3 / 76.2
<b>CYLINDER SPEED</b>	
Washing speed (r.p.m.)	45
Spinning speed (r.p.m.)	900
G-Force	350



FRONT VIEW



BACK VIEW



SIDE VIEW



## Intuitive Micro Controls (IMC®) That Makes Washing Easy For You and Your Customers

Intuitive Micro Controls (IMC®) is our programmable microprocessor that is customizable, easy to program and easy to use. You can simplify existing programs; modify or delete the temperature and times of each phase of the cycle, as well as modify water levels to achieve maximum savings in your Laundromat. Multi vend pricing capability also enables you to maximize your Laundromat's revenue.



88 Currant Road Fall River, MA 02720-4781 • 508.678.9000 • Fax: 508.678.9447 • Email: sales@amdry.com

P/N 450624 1/16/12  
REV 3/29/12

\* Specifications are subject to change without notice or obligation. Contact ADC for dimensions not shown or for clarification.

www.amdry.com