

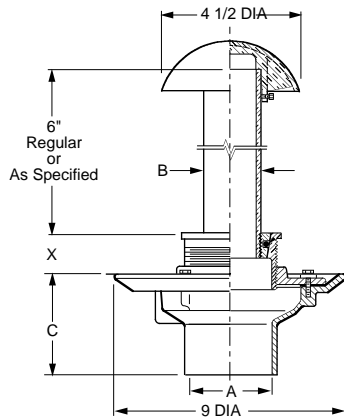


# FLOOR DRAINS

**FIG. 2005 (-Y) FLOOR DRAIN AND ADJ. STRAINER WITH OVERFLOW STANDPIPE**  
**FIG. 2010 (-Z) FLOOR DRAIN AND ADJ. STRAINER WITH OVERFLOW STANDPIPE**



**FUNCTION:** Used as overflow drain in decorative pools, fish ponds or similar areas. Dome prevents floating objects from entering drain line.



**OUTLET VARIATIONS** (Specify type of outlet and pipe size in inches.)

Outlet Type	Outlet Designation	Outlet Type/Pipe Size	"C" Body HT. DIM.	ADD
Inside Caulk (2010)	C02, C03, C04		4"	N/C
Speedi-Set SW (2005)	L02, L03, L04		4"	N/C
Speedi-Set XH (2005)	LXH02, LXH03, LXH04		4"	N/C
Threaded(2010)	T02, T03, T04		3"	47.00
No-Hub (2005)	Y02, Y03, Y04		4"	N/C

**OPTIONS:**

Option	Description	ADD
-ARI	Acid Resistant Inside	102.00
-BB	Bronze Body, 02-04"	734.00
	05-06"	2,255.00
-DID*	Drain Installation Device	83.00
-G	Galvanized Body	119.00
-P	Trap Primer Conn	N/C

Higher Standpipe, over 6"	PB	NB	CP
per inch Y	58.00	82.00	87.00
per inch Z	102.00	117.00	124.00

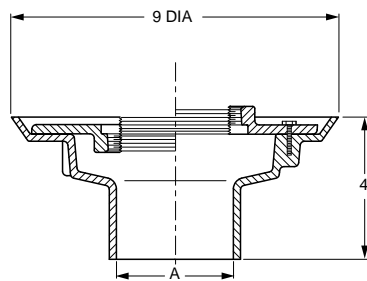
A OUTLET SIZE	STRAINER SUFFIX	B STANDPIPE SIZE	X MIN	X MAX	DUCO CI PB TOP	DUCO CI †NB TOP	DUCO CI CP TOP	APPROX. WEIGHT LBS.
02, 03, 04"	Y	2	3/4	2 1/8	1,009.00	1,190.00	1,300.00	18
02, 03, 04"	Z	3	3/4	2 1/8	1,377.00	1,490.00	1,624.00	24

\*Applies to 2005 only.

**REGULARLY FURNISHED:** Duco Cast Iron Body and Flashing Collar, Adjustable Strainer Head as Indicated by Suffix Letter Selected.

## FIG. 2005 NO-HUB OUTLET FLOOR DRAIN BODY AND COLLAR ASSEMBLY

**FUNCTION:** General service floor drain for use in showers, toilets, kitchens and other finished areas where foot traffic is expected. Reversible flashing collar permits adjustment of the strainer to meet finished floor level.



**OUTLET VARIATIONS** (Specify type of outlet and pipe size in inches.)

Outlet Type	Outlet Designation	Outlet Type/Pipe Size	Body HT. DIM.	ADD
Speedi-Set SW	L02, L03, L04		4"	N/C
Speedi-Set XH	LXH02, LXH03, LXH04		4"	N/C
No-Hub	Y02, Y03, Y04, Y05, Y06		4"	N/C

**OPTIONS:**

Option	Description	ADD
-ARI	Acid Resistant Inside	102.00
-BB	Bronze Body, 02-04"	734.00
	05-06"	2,255.00
-DID*	Drain Installation Device	83.00
-P050	1/2" Trap Primer Conn	N/C
-P075	3/4" Trap Primer Conn	N/C

\*Applies to 2005 only.

A OUTLET SIZE	COLLAR DIA	DUCO CI	GALV CI (-G)	APPROX. WEIGHT LBS.
02, 03, 04"	9	117.00	236.00	9
05, 06"	9	451.00	570.00	20

**REGULARLY FURNISHED:** Duco Cast Iron Body and Flashing Collar.

When ordering, specify drain body and strainer type, size and finish. Ex. 2005Y04 w/A05NB.

†REGULARLY FURNISHED

