

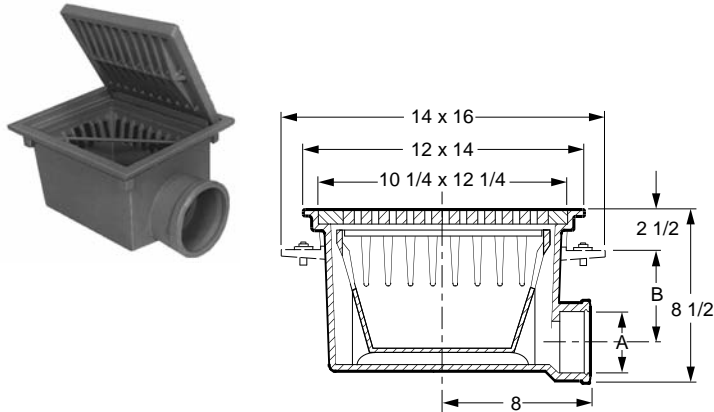


## FLOOR DRAINS

**FIG. 2475 HEAVY DUTY TRAFFIC FLOOR DRAIN WITH SIDE OUTLET, HINGED GRATE AND FREE STANDING SEDIMENT BUCKET**



**FUNCTION:** Used in moderate traffic areas where hinged rectangular grate is required. Hinged top permits easy access for fast and frequent removal of sediment bucket.



**OUTLET VARIATIONS** (Specify type of outlet and pipe size in inches.)

Outlet Type	Outlet Designation Outlet Type/Pipe Size	ADD
Inside Caulk	C02, C03, C04	N/C

**OPTIONS:**

		ADD
-AB	Aluminum Bucket	230.00
-FP	Frost Proof Bucket	89.00
-G	Galvanized CI	561.00
-M	Ductile Iron Grate	373.00
-U	Vandal Proof Screws	89.00

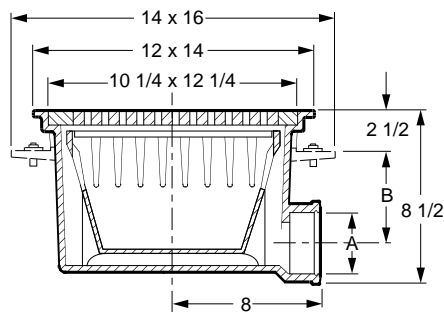
A OUTLET SIZE	TOP SIZE	FREE AREA SQ IN	B	†DUCO CI	DUCO CI PB TOP	DUCO CI NB TOP	APPROX. WEIGHT LBS
02"	12 x 14"	47	4"	1,353.00	2,031.00	2,167.00	69
03"	12 x 14"	47	3 1/2"	1,353.00	2,031.00	2,167.00	69
04"	12 x 14"	47	3"	1,353.00	2,031.00	2,167.00	69

**REGULARLY FURNISHED:** Duco Cast Iron Body with Heavy Duty Hinged Grate and Cast Iron Sediment Bucket.

**FIG. 2478 HEAVY DUTY TRAFFIC FLOOR DRAIN WITH SIDE OUTLET, HINGED GRATE AND FREE STANDING SEDIMENT BUCKET**

**FUNCTION:** Used in moderate traffic areas where hinged rectangular grate is required. Hinged top permits easy access for fast and frequent removal of sediment bucket.

**2478**  
Same as  
2475 with  
Flashing  
Flange



**OUTLET VARIATIONS** (Specify type of outlet and pipe size in inches.)

Outlet Type	Outlet Designation Outlet Type/Pipe Size	ADD
Inside Caulk	C02, C03, C04	N/C

**OPTIONS:**

		ADD
-AB	Aluminum Bucket	230.00
-C	Flashing Clamp	N/C
-FP	Frost Proof Bucket	89.00
-G	Galvanized CI	561.00
-M	Ductile Iron Grate	373.00
-U	Vandal Proof Screws	89.00

A OUTLET SIZE	TOP SIZE	FREE AREA SQ IN	B	†DUCO CI	DUCO CI PB TOP	DUCO CI NB TOP	APPROX. WEIGHT LBS
02"	12 x 14"	47	4"	1,587.00	2,265.00	2,401.00	95
03"	12 x 14"	47	3 1/2"	1,587.00	2,265.00	2,401.00	95
04"	12 x 14"	47	3"	1,587.00	2,265.00	2,401.00	95

**REGULARLY FURNISHED:** Duco Cast Iron Body with Heavy Duty Hinged Grate and Cast Iron Sediment Bucket.

