

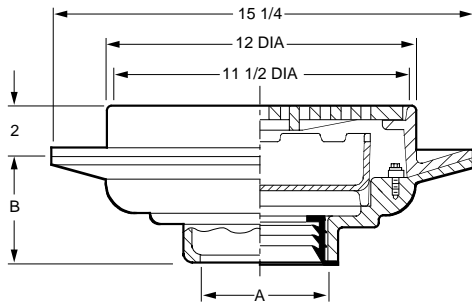


FLOOR DRAINS

FIG. 2231 MEDIUM DUTY FLOOR DRAIN WITH 12" ROUND TOP AND SEDIMENT BUCKET



FUNCTION: Used in moderate traffic areas where waste water contains sediment or debris and floor construction requires a shallow drain. Body flange and flashing collar serve as anchor in on-grade locations and as flashing clamp when installed in waterproof floors.



A OUTLET SIZE	TOP SIZE	FREE AREA SQ IN	†DUCO CI	DUCO CI PB TOP	DUCO CI NB TOP	APPROX. WEIGHT LBS
02, 03, 04"	12"	28.5	915.00	1,310.00	1,372.00	70
05, 06"	12"	28.5	915.00	1,310.00	1,372.00	72
08"	12"	28.5	1,102.00	1,497.00	1,559.00	74

REGULARLY FURNISHED: Duco Cast Iron Body and Flashing Collar with Cast Iron Bar Grate and Solid Free Standing Bucket.

OUTLET VARIATIONS (Specify type of outlet and pipe size in inches.)

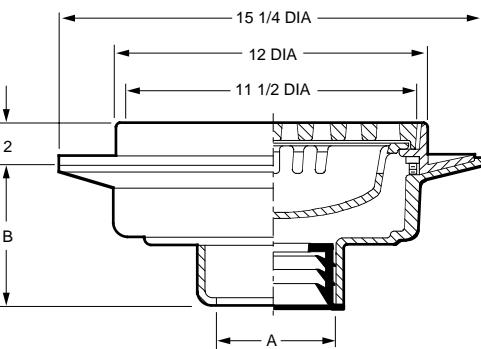
Outlet Type	Outlet Designation	Outlet Type/Pipe Size	"B" Body HT. DIM.	ADD
Inside Caulk	C02, C03, C04		3 3/4"	N/C
	C05, C06, C08		3 3/4"	N/C
Speedi-Set SW	L02, L03, L04		3 3/4"	N/C
Speedi-Set XH	LXH02, LXH03, LXH04		3 3/4"	N/C
Threaded	T02, T03, T04		3 3/4"	47.00
	T05, T06, T08		3 3/4"	47.00
No-Hub	Y02, Y03, Y04		3 3/4"	N/C
	Y05, Y06, Y08		3 3/4"	N/C

OPTIONS:

OPTION	DESCRIPTION	ADD
-ARI	ARC Inside	517.00
-ARIO	ARC In and Out	680.00
-DID	Drain Installation Device	125.00
-FBSCI	Flat Bottom Strainer, CI	36.00
-G	Galvanized CI	589.00
-H	Hinged Grate	156.00
-M	Ductile Iron Grate	157.00
-P	Trap Primer Conn	99.00
-S	Square Top, CI	208.00
-SNB	Square Top, add to CI	753.00
-SPB	Square Top, add to CI	654.00
-U	Vandal Proof Grate	89.00

FIG. 2233 HEAVY DUTY FLOOR DRAIN WITH 12" ROUND TOP W/TRACTOR GRATE AND SEDIMENT BUCKET

FUNCTION: Used in heavy trucking areas where debris is anticipated and must be intercepted. The suspended sediment bucket when set under the grate guarantees efficient interception of debris.



A OUTLET SIZE	TOP SIZE	FREE AREA SQ IN	†DUCO CI	DUCO CI PB TOP	DUCO CI NB TOP	APPROX. WEIGHT LBS
02, 03, 04"	12"	29	915.00	1,310.00	1,372.00	58
05, 06"	12"	29	915.00	1,310.00	1,372.00	60
08"	12"	29	1,102.00	1,497.00	1,559.00	62

REGULARLY FURNISHED: Duco Cast Iron Body and Flashing Collar with Cast Iron Tractor Grate and Slotted Sediment Bucket.

OUTLET VARIATIONS (Specify type of outlet and pipe size in inches.)

Outlet Type	Outlet Designation	Outlet Type/Pipe Size	"B" Body HT. DIM.	ADD
Inside Caulk	C02, C03, C04		5"	N/C
	C05, C06, C08		5"	N/C
Speedi-Set SW	L02, L03, L04		5"	N/C
Speedi-Set XH	LXH02, LXH03, LXH04		5"	N/C
Threaded	T02, T03, T04		3 3/4"	47.00
	T05, T06, T08		3 3/4"	47.00
No-Hub	Y02, Y03, Y04		5"	N/C
	Y05, Y06, Y08		5"	N/C

OPTIONS:

OPTION	DESCRIPTION	ADD
-ARI	ARC Inside	517.00
-ARIO	ARC In and Out	680.00
-BS	Bucket with Mesh Screen	261.00
-D	Dome Grate, CI	84.00
-DID	Drain Installation Device	125.00
-DBSCI	Dome Bottom Strainer, CI	89.00
-FBSCI	Flat Bottom Strainer, CI	36.00
-G	Galvanized CI	589.00
-M	Ductile Iron Grate	157.00
-P	Trap Primer Conn	99.00
-S	Square Top, CI	208.00
-SC	Solid Scoriated Cover	354.00
-SNB	Square Top, add to CI	753.00
-SPB	Square Top, add to CI	654.00
-U	Vandal Proof Grate	89.00

