

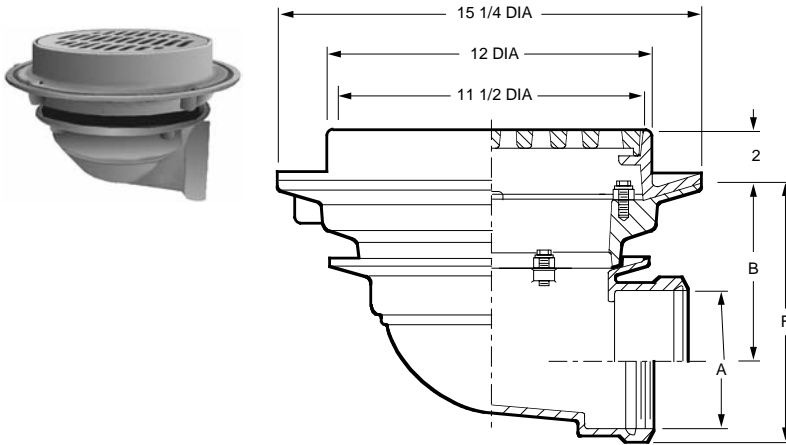


FLOOR DRAINS



FIG. 2147 HEAVY DUTY FLOOR DRAIN WITH 12" ROUND TOP W/TRACTOR GRATE AND SOLID FREE STANDING SEDIMENT BUCKET

FUNCTION: Used in heavy trucking or traffic areas where waste water contains sand, sediment and other debris. Drain has solid free standing bucket to intercept this type of debris.



| A OUTLET SIZE | TOP SIZE | FREE AREA SQ IN | B | †DUCO CI | DUCO CI PB TOP | DUCO CI NB TOP | APPROX. WEIGHT LBS |
|---------------------|-------------|-----------------------|-------|----------|-------------------|-------------------|--------------------------|
| 02" | 12" | 29 | 6 7/8 | 1,308.00 | 1,703.00 | 1,765.00 | 70 |
| 03" | 12" | 29 | 6 3/8 | 1,308.00 | 1,703.00 | 1,765.00 | 70 |
| 04" | 12" | 29 | 5 7/8 | 1,308.00 | 1,703.00 | 1,765.00 | 70 |
| 05" | 12" | 29 | 5 | 1,308.00 | 1,703.00 | 1,765.00 | 72 |
| 06" | 12" | 29 | 4 1/2 | 1,308.00 | 1,703.00 | 1,765.00 | 72 |

REGULARLY FURNISHED: Duco Cast Iron Body and Flashing Collar with Cast Iron Tractor Grate and Solid Free Standing Sediment Bucket.

OUTLET VARIATIONS (Specify type of outlet and pipe size in inches.)

| Outlet Type | Outlet Designation Outlet Type/Pipe Size | "F" Body HT. DIM. | ADD |
|--------------|---|-------------------------|-----|
| Inside Caulk | C02 | 8 5/8" | N/C |
| | C03, C04 | 8 3/4" | N/C |
| | C05, C06 | 8 1/2" | N/C |
| Threaded | T02 | 8 5/8" | N/C |
| | T03, T04 | 8 3/4" | N/C |
| | T05, T06 | 8 1/2" | N/C |
| No-Hub | Y02 | 8 5/8" | N/C |
| | Y03, Y04 | 8 3/4" | N/C |
| | Y05, Y06 | See Fig. 2646Y | |

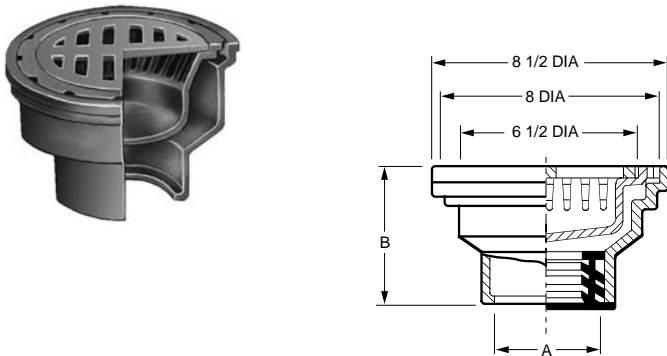
OPTIONS:

| Option | Description | ADD |
|--------|-------------------------|--------|
| -ARI | ARC Inside | 517.00 |
| -ARIO | ARC In and Out | 680.00 |
| -DG | Deflector Grate | 242.00 |
| -FP | Seepage Holes in Bucket | 70.00 |
| -G | Galvanized CI | 589.00 |
| -M | Ductile Iron Grate | 157.00 |
| -P | Trap Primer Conn | 99.00 |
| -S | Square Top, CI | 208.00 |
| -SC | Solid Scoriated Cover | 354.00 |
| -SNB | Square Top, add to CI | 753.00 |
| -SPB | Square Top, add to CI | 654.00 |
| -U | Vandal Proof Grate | 89.00 |

FLOOR DRAINS

FIG. 2210 MEDIUM DUTY FLOOR DRAIN WITH 8 1/2" ROUND TOP AND "SAFE SET" SEDIMENT BUCKET

FUNCTION: For general medium duty use where waste water contains solids or debris that must be prevented from entering drainage lines. "Safe-Set" design insures bucket replacement after cleaning, since top grate cannot be inserted unless bucket is in place.



| A OUTLET SIZE | TOP SIZE | FREE AREA SQ IN | †DUCO CI | DUCO CI PB TOP | DUCO CI NB TOP | APPROX. WEIGHT LBS |
|---------------------|-------------|-----------------------|----------|-------------------|-------------------|--------------------------|
| 02, 03, 04" | 8 1/2" | 9.25 | 249.00 | 515.00 | 578.00 | 14 |

REGULARLY FURNISHED: Duco Cast Iron Body with Cast Iron Grate and Sediment Bucket.

OUTLET VARIATIONS (Specify type of outlet and pipe size in inches.)

| Outlet Type | Outlet Designation Outlet Type/Pipe Size | "B" Body HT. DIM. | ADD |
|---------------|---|-------------------------|-------|
| Inside Caulk | C02, C03 | 5" | N/C |
| | L02, L03, L04 | 5" | N/C |
| Speedi-Set SW | LXH02, LXH03, LXH04 | 5" | N/C |
| Threaded | T02, T03, T04 | 3 1/2" | 47.00 |
| No-Hub | Y02, Y03, Y04 | 5" | N/C |

OPTIONS:

| Option | Description | ADD |
|--------|------------------------------|------------------|
| -ARI | ARC Inside | 227.00 |
| -ARIO | ARC In and Out | 304.00 |
| -D | Dome Grate, CI | 50.00 |
| -DNB | Dome Grate, add to CI | 554.00 |
| -DPB | Dome Grate, add to CI | 441.00 |
| -FBSCI | Flat Bottom Strainer, CI | 36.00 |
| -G | Galvanized CI | 259.00 |
| -H | Hinged Grate | 156.00 |
| -MBG | Ductile Iron Bucket & Grate | 304.00 |
| -P | Trap Primer Conn | 99.00 |
| -S | Square Top, CI | 196.00 |
| -SNB | Square Top, add to CI | 571.00 |
| -SPB | Square Top, add to CI | 472.00 |
| -U | Vandal Proof Grate | 89.00 |
| -XP | Closure Plug, 02, 03" 04" | 238.00 400.00 |

