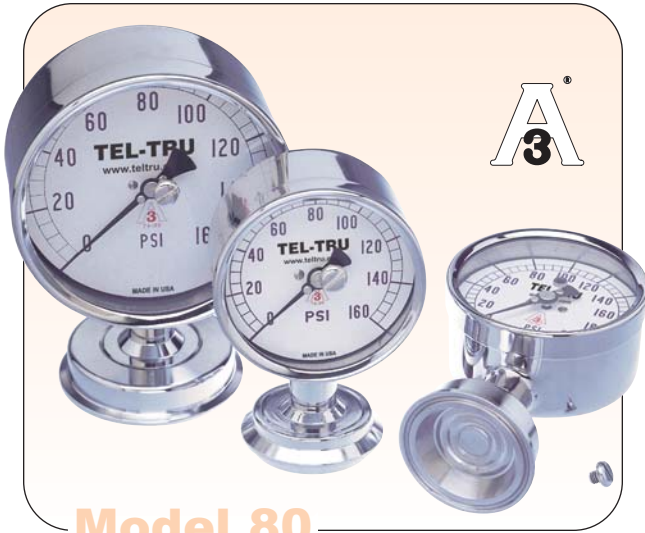


# Tel-Tru Sanitary Pressure Gauge MODEL 80

## FOOD AND DAIRY LINE

Model 80 sanitary pressure gauges, accurate to  $\pm 1.5\%$  full scale, are designed with a unique pulsation dampening system for the most demanding dairy and food processing applications. The 316L diaphragm is recessed for protection from user abuse. A Teflon® diaphragm is an available option.



**Model 80**

### ► AVAILABLE OPTIONS:

- Dry case
- Connection locations - right, left, top mount
- 2, 2½, or 3" fittings
- High temperature option (>250°F ≤ 500°F) Viton® Seal
- Other fitting types (including **Cherry Burrell, APC, and Bevel Seat**) and sizes are available on request.
- Teflon diaphragm

### ► REPAIR SERVICE:

- Disassemble, clean, and inspect all components
- Replace/repair damaged or worn components
- Reassemble and calibrate to original factory specifications

### ► AVAILABLE CASE STYLES AND DIMENSIONS:

DIAL	Tri-Clamp Fitting	A	B	C	D	E	F	G
3580 3½"	1½"	3.68" (93mm)	5.63" (143mm)	1.99" (50.5mm)	1.88" (48mm)	.63" (16mm)	4.06" (103mm)	.88" (22mm)
	2"	3.68" (93mm)	5.63" (143mm)	2.5" (63.5mm)	1.88" (48mm)	.63" (16mm)	4.06" (103mm)	.88" (22mm)
5080 5"	1½"	5.06" (129mm)	7" (178mm)	1.99" (50.5mm)	2.3" (59mm)	.63" (16mm)	4.5" (114mm)	.88" (22mm)
	2"	5.06" (129mm)	7" (178mm)	2.5" (63.5mm)	2.3" (59mm)	.63" (16mm)	4.5" (114mm)	.88" (22mm)

### ► SPECIFICATIONS:

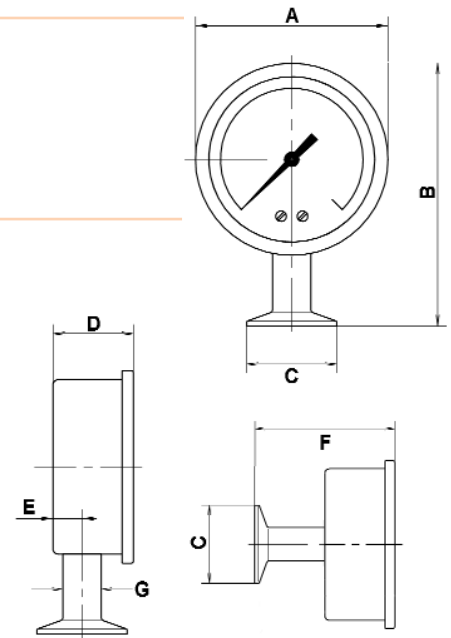
Dial size/Accuracy:	3½" (90mm) $\pm 1.5\%$ FS 5" (120mm), $\pm 1.5\%$ FS
Case:	304 SS Glycerine filled - food grade
Bezel:	304 SS
Wetted Materials:	316L SS Diaphragm Ra < 25 microinches
Internal Materials:	Brass/bronze system/movement Mechanical dampening
Transmission Fluid:	Glycerine system fill
Connection Fitting:	1½" Tri-Clamp® Lower mount or center-back mount
Lens:	Polycarbonate
Pointer:	Aluminum with re-zero adjustment
Dial:	White aluminum
Ranges:	See chart: 30" Hg to 1000 psi
Scale:	PSI or dual PSI/Bar
Over range protection:	P max + 30%
3A:	Certified
Traceable ID:	Marked with order and date code
Environmental Protection:	Waterproof, can be CIP

### ► TEMPERATURE LIMITS:

0°F (-18°C) to 250°F (121°C)  
500°F (260°C) is maximum process temperature with high temperature option

### ► MODEL CODES:

3580	3½" dial
5080	5" dial



**Tel-Tru Manufacturing Company**

408 St. Paul St., Rochester, New York 14605 USA

Phone: 585.232.1440 • 800.232.5335 • Fax: 585.232.3857 • E-mail: info@teltru.com • Web: www.teltru.com

# Tel-Tru Sanitary Pressure Gauge MODEL 80

## FOOD AND DAIRY LINE

### How to Order

**Ordering Example:** Food and Dairy Line, 3½" dial, 316L SS wetted parts, 304 SS case, 2" lower mount Tri-Clamp connection, 0-160 psi & 0-11 bar range, Glycerine filled case.

**A B C D E F G H I**  
**3 5 8 0 1 S 9 L A E 4 F \* G**

Code	Description	Available	
<b>A</b>	<b>Model</b>		
	3580 3½" dial	3580	5080
	5080 5" dial	▼	▼
<b>B</b>	<b>Materials - Wetted Parts</b>		
	1 316L SS	S	S
	7 Teflon	X	X
<b>C</b>	<b>Case</b>		
	S 304 SS	S	S
<b>D</b>	<b>Connection Size</b>		
	8 1½"	X	X
	9 2"	X	X
	E 2½"	X	X
	F 3"	X	X
<b>E</b>	<b>Connection Location</b>		
	C Center back	X	X
	L Lower	X	X
	V Right Side	X	X
	W Left Side	X	X
	T Top	X	X
<b>F</b>	<b>Connection Type</b>		
	A Tri-Clamp	S	S
	J G&H "H" Line Male	X	X
	K Cherry-Burrell Male I-Line	X	X
	N DIN40 (accord. to DIN 11851)	X	X
	P DIN50 (accord. to DIN 11851)	X	X
	Q SMS38	X	X
R SMS51	X	X	
<b>G</b>	<b>Range and Scale</b>		
	XXX See Range Chart	See Range Chart	
<b>H</b>	<b>Options*</b> Insert codes only if required		
	L Glass Lens	X	X
	D Drag Pointer	X	X
	0 Extra Dampening	X	X
	I High Temperature Option Process temp. >250°F	X	X
<b>I</b>	<b>Case Fill</b>		
	G Glycerine Filled	X	X
	T Dry Case	X	X

\* See Ordering Example, top of page.

Other fitting types and sizes are available on request.  
 Other case fill materials and transmission fluids are available on request.

Shipping weight approximately 3lbs. (1.3kg)

Teflon® is a registered trademark of E. I. du Pont de Nemours and Company or its affiliates.  
 Tri-Clamp® is a registered trademark of Tri-Clover, Inc  
 Viton® is a registered trademark of DuPont Performance Elastomers.

**Key:** X = Available S = Standard

### Ranges

	CODE
0-30 psi	C6A
0-60 psi	D6A
0-100 psi	D9A
0-160 psi	E4A
0-200 psi	E5A
0-300 psi	E8A
0-400 psi	F2A
0-600 psi	F4A
0-1000 psi	F8A
30-0-30 psi	Z2A
30-0-60 psi	Z3A
30-0-100 psi	Z4A
30-0-150 psi	U6A
30-0-200 psi	Z6A
30-0-300 psi	Z7A
0-30 psi & 0-2 bar	C6F
0-60 psi & 0-4 bar	D6F
0-100 psi & 0-7 bar	D9F
0-160 psi & 0-11 bar	E4F
0-200 psi & 0-14 bar	E5F
0-300 psi & 0-20 bar	E8F
0-400 psi & 0-28 bar	F2F
0-600 psi & 0-40 bar	F4F
0-1000 psi & 0-70 bar	F8F
30-0-30 psi & 1-0-2 bar	Z2Z
30-0-60 psi & 1-0-4 bar	Z3Z
30-0-100 psi & 1-0-7 bar	Z4Z
30-0-150 psi & 1-0-10 bar	U6Z
30-0-200 psi & 1-0-15 bar	Z6Z
30-0-300 psi & 1-0-20 bar	Z7Z

Other ranges are available, including PSI/Kg/cm² and PSI/KPa.

### Repair Service

(order separately)

Code	Description
RSPG80-35	3½" Food and Dairy pressure gauges
RSPG80-50	5" Food and Dairy pressure gauges

### Certificates

(order separately)

Code	Description
10000016	Material Certificate
10000002	Calibration Certificate



**Tel-Tru Manufacturing Company**

408 St. Paul St., Rochester, New York 14605 USA  
 Phone: 585.232.1440 • 800.232.5335 • Fax: 585.232.3857  
 E-mail: info@teltru.com • Web: www.teltru.com

SPG8008