

DWR Series Wall Cabinet



Front

Face of center section top and bottom accepts RPS Series remote power switch and low voltage Decora® devices, see pg. 115 for details

Standard adjustable front 11-gauge, 10-32 threaded rackrail with marked rackspace increments to speed equipment mounting. Optional adjustable rear mounting rails available

Large laser knockout in backpan provides an easily removable 12-1/2" x 12-1/2" pull-box sized opening for cable passage

Abundant lacing points throughout the interior facilitate cable management

Attractive slot pattern on top and bottom of front and sides provides superior ventilation

Two laser knockouts in top and bottom for fans

15", 20", or 24" useable depth

1/2", 3/4", 1", 1-1/2", 2" and 3" electrical knockouts on top and bottom, top knockout plate additionally contains UHF/VHF antenna knockouts

2" knockouts, 4" knockouts for Wiremold 4000® Series raceways, & knockouts for UCP Series universal connector panels on side (see pgs. 162-163)

Side

Center Section Clearance

8.65"
13.65"
17.65"
23.65"

29.8"
32.5"
35.1"
39.6"

For compatible fan kits, see pg. 120



HOT TIP!

Mounting Power Products in DWR

Mount slim power strips in rear channel of center section to power equipment without wasting any valuable rackspace, or useable depth.



Size	Power Strip	Qty
10-18 space	PD-815SC, PD-815SC-NS	1
21, 24 space	PD-815SC, PD-815SC-NS	1 or 2
35 space	PD-2415SC, PD-2415SC-NS, PD-2420SC-NS	1

Cover Plate

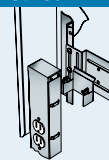


DWR-CVR

optional cover plate/shelf kit available

Mounting Method

PB-DWR required for mounting PD Series and MPR power strips vertically in backpan

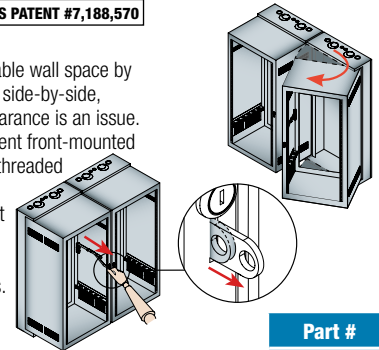


Easy Access Option US PATENT #7,188,570

Minimum Clearance Latch

Front mounted latch saves valuable wall space by allowing wall racks to be placed side-by-side, in a corner, or wherever side clearance is an issue. To open, simply pull the convenient front-mounted handle. Unlike time-consuming threaded rods, this unique latch provides keyed security from the front (keyed differently from optional front door). Easy to install; required for seismic installations.

Available only from Middle Atlantic Products!



Part #
DWRSR-ZL

Complete your Rack System with the following options and accessories:

 Power Distribution pgs. 96-117	 Thermal Management pgs. 118-129	 Cable Management pgs. 130-143	 Rack Accessories pgs. 144-169
--	---	---	---

Rack Options: The options listed below are the most widely used accessories for this series of enclosure but is not inclusive of all available items. For additional options and/or more information on the items listed below reference the Enclosure Options section of the catalog.

Part #	Front Doors				Exhaust Fan Kit	Additional 10-32 Threaded Rackrail
	Solid	Plexi	25% Open Area Perf	64% Open Area Perf		
DWR-10-17	FD-10	PFD-10	VFD-10	LVFD-10	DWR-FK17	DWR-RR10
DWR-10-22	FD-10	PFD-10	VFD-10	LVFD-10	DWR-FK22	DWR-RR10
DWR-12-17	FD-12	PFD-12	VFD-12	LVFD-12	DWR-FK17	DWR-RR12
DWR-12-22	FD-12	PFD-12	VFD-12	LVFD-12	DWR-FK22	DWR-RR12
DWR-12-26	FD-12	PFD-12	VFD-12	LVFD-12	DWR-FK26	DWR-RR12
DWR-12-32	FD-12	PFD-12	VFD-12	LVFD-12	DWR-FK32	DWR-RR12
DWR-16-17	FD-16	PFD-16	VFD-16	LVFD-16	DWR-FK17	DWR-RR16
DWR-16-22	FD-16	PFD-16	VFD-16	LVFD-16	DWR-FK22	DWR-RR16
DWR-18-17	FD-18	PFD-18	VFD-18	LVFD-18	DWR-FK17	DWR-RR18
DWR-18-22	FD-18	PFD-18	VFD-18	LVFD-18	DWR-FK22	DWR-RR18
DWR-18-26	FD-18	PFD-18	VFD-18	LVFD-18	DWR-FK26	DWR-RR18
DWR-18-32	FD-18	PFD-18	VFD-18	LVFD-18	DWR-FK32	DWR-RR18
DWR-21-17	FD-21	PFD-21	VFD-21	LVFD-21	DWR-FK17	DWR-RR21
DWR-21-22	FD-21	PFD-21	VFD-21	LVFD-21	DWR-FK22	DWR-RR21
DWR-24-17	FD-24	PFD-24	VFD-24	LVFD-24	DWR-FK17	DWR-RR24
DWR-24-22	FD-24	PFD-24	VFD-24	LVFD-24	DWR-FK22	DWR-RR24
DWR-24-26	FD-24	PFD-24	VFD-24	LVFD-24	DWR-FK26	DWR-RR24
DWR-24-32	FD-24	PFD-24	VFD-24	LVFD-24	DWR-FK32	DWR-RR24
DWR-35-17	FD-35	PFD-35	VFD-35	LVFD-35	DWR-FK17	DWR-RR35
DWR-35-22	FD-35	PFD-35	VFD-35	LVFD-35	DWR-FK22	DWR-RR35
DWR-35-26	FD-35	PFD-35	VFD-35	LVFD-35	DWR-FK26	DWR-RR35

for more info refer to pgs. 32-37





EWR Series Economical Wall Cabinet



US PATENT #7,278,183

EIA/TIA Compliant



Spec. # 96-01004 for full product info.

Consider an EWR wall cabinet when installing smaller systems and an economical solution is required.

This pivoting, sectional wall cabinet provides unparalleled quality at an aggressive price and is ideal for use in both secured and nonsecured areas.



EWR-10-17SD

Structural Features

- Fully welded construction for strength
- Patented Tool Free Quick-Mount™ system for easy attachment of the center section to the backpan on the jobsite
- Reversible padlockable center section keyed separately from optional front door
- Optimized for passive thermal management
- Finished in a durable black textured powder coat

Regulatory / Certifications

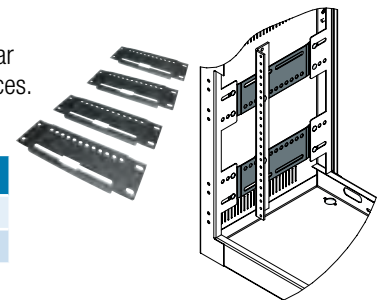
- 150 lb. weight capacity
- UL Listed in the US and Canada
- GREENGUARD Indoor Air Quality Certified for Children and Schools (the most strict level)



Rackrail Bracket Extender

Convert the EWR to full front to rear adjustable rackrail, includes 4 pieces.

Part #	Fits
EWR-ARB-17	17" deep EWRs
EWR-ARB-22	22" deep EWRs



Part #	Fully Assembled with Solid Front Door Part #	Racking Height	Overall Height	Useable Depth	Overall Depth	Overall Width*	Weight Capacity	Recommended Power•
EWR-8-17	EWR-8-17SD	14" (8 space)	21"	15"	17-5/16"	24-11/32"	150 lbs.	C
EWR-8-22	EWR-8-22SD	14" (8 space)	21"	20"	22-5/16"	24-11/32"	150 lbs.	C
EWR-10-17	EWR-10-17SD	17-1/2" (10 space)	24-1/2"	15"	17-5/16"	24-11/32"	150 lbs.	C
EWR-10-22	EWR-10-22SD	17-1/2" (10 space)	24-1/2"	20"	22-5/16"	24-11/32"	150 lbs.	C
EWR-12-17	EWR-12-17SD	21" (12 space)	28"	15"	17-5/16"	24-11/32"	150 lbs.	C
EWR-12-22	EWR-12-22SD	21" (12 space)	28"	20"	22-5/16"	24-11/32"	150 lbs.	C
EWR-16-17	EWR-16-17SD	28" (16 space)	35"	15"	17-5/16"	24-11/32"	150 lbs.	C
EWR-16-22	EWR-16-22SD	28" (16 space)	35"	20"	22-5/16"	24-11/32"	150 lbs.	C

*Not including latch. •for more info refer to pgs. 96-117

