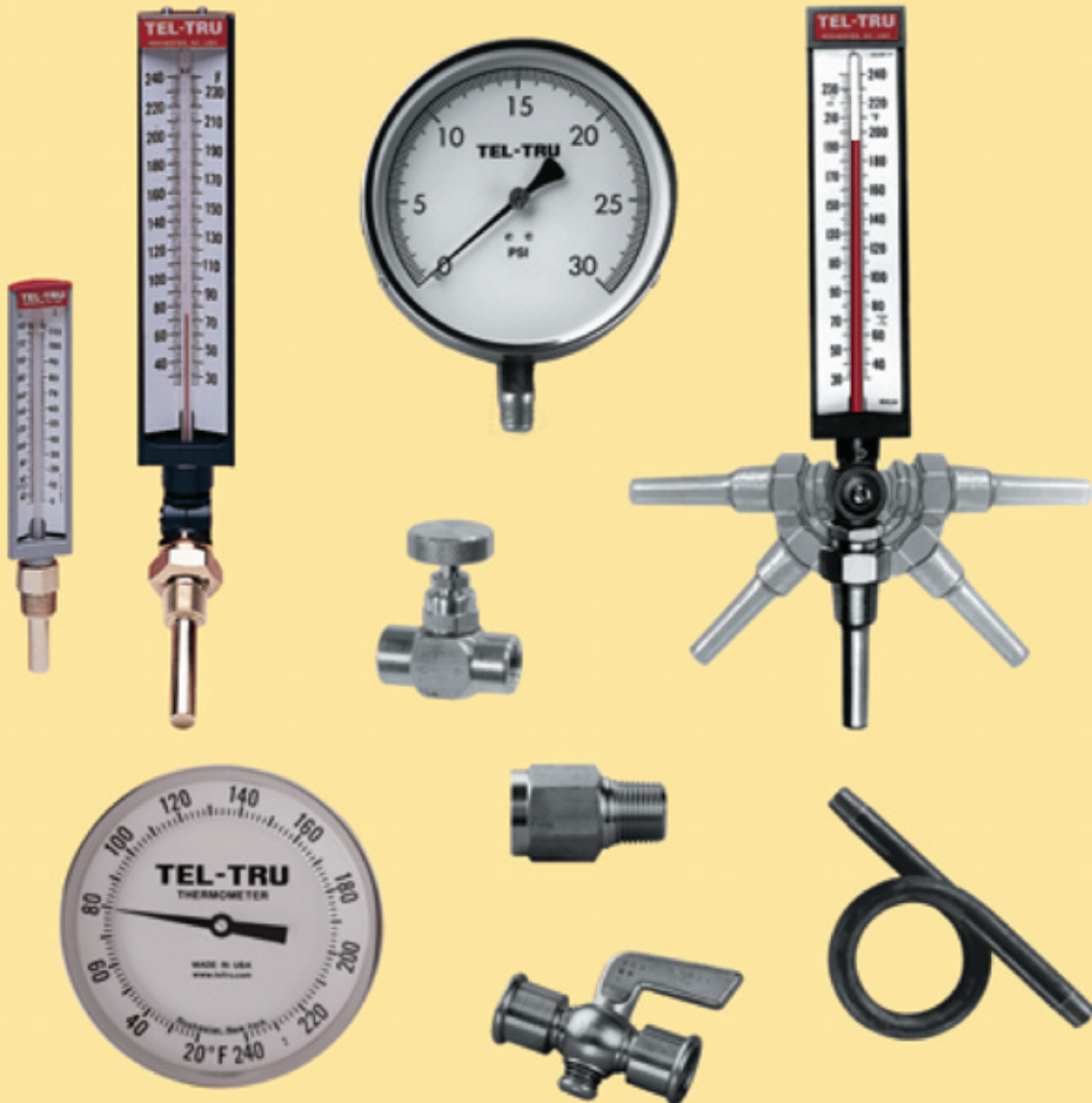




TEL-TRU MANUFACTURING COMPANY HVAC INSTRUMENTS

*Temperature and Pressure Measurement for HVAC
Applications and Mechanical Contractors*



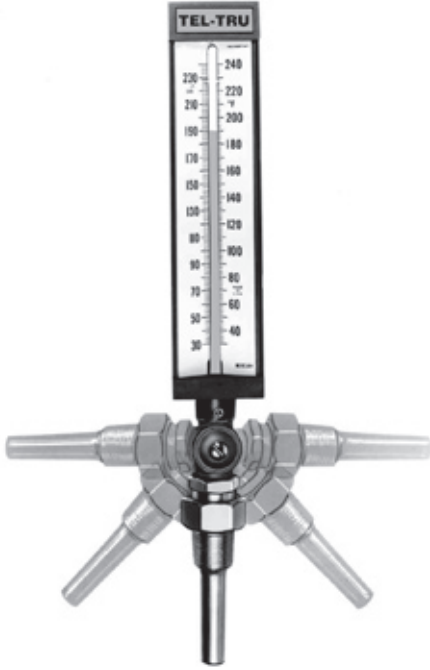
World-Class Thermometers

*Since
1916*

www.teltru.com

ADJUSTABLE ANGLE THERMOMETERS

Commercial grade units available with 9" aluminum or plastic cases, spirit fill, and 3½" or 6" stems. Unit can be adjusted for easy reading at any angle.



► SPECIFICATIONS

- Case: 9" black case either Cylolac plastic or die cast aluminum.
- Lens: Heavy duty protective glass.
- Tube: Spirit fill.
- Scale: Easy-to-read bold black print on white V-shaped aluminum scale.
- Accuracy: ±1 scale division.
- Stem: Stem and socket are aluminum with a brass thermowell connection. Stem is tapered to fit a matched taper in the thermowell, giving metal to metal contact and maximum sensitivity.
- Connection: 1¼" - 18 UNEF2A threaded brass coupling nut connection to fit thermowell.
- Adjustment: Thermometer can be rotated 180° quickly and easily simply by adjusting two screws.

► OPTIONS

- Other configuration combinations available upon request.
- Plastic lens.

► IMPORTANT NOTE

- Plastic case should not be subjected to ambient temperatures greater than 200°F (93°C).

ADJUSTABLE ANGLE DIMENSIONS					
Scale Z	X	W	T	Y	
9"	11 ²¹ / ₃₂ "	2 ³ / ₈ "	2 ⁹ / ₃₂ "	1 ³ / ₄ "	

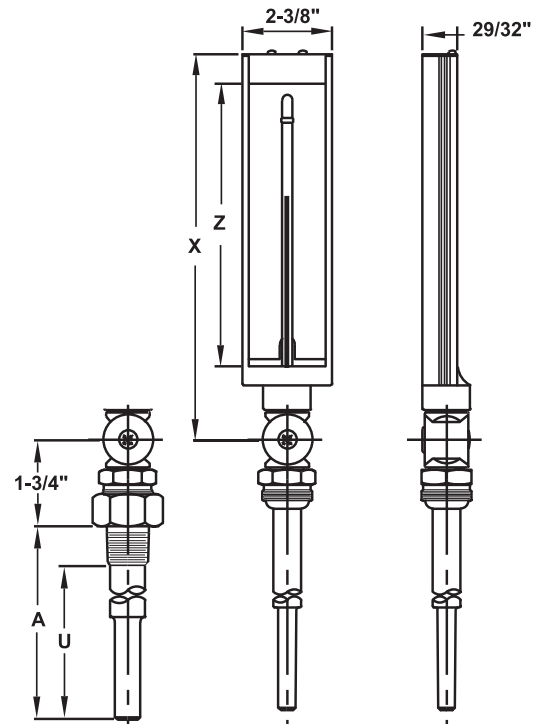
CYCOLAC PLASTIC CASE PART NUMBERS

A-Stem	U-Insert.	Spirit
3½"	2½"	81203XX1
6"	5"	81206XX1

ALUMINUM CASE PART NUMBERS

A-Stem	U-Insert.	Spirit
3½"	2½"	91203XX1
6"	5"	91206XX1

XX=Temperature Range Code
(see page 3 for standard temperature ranges)

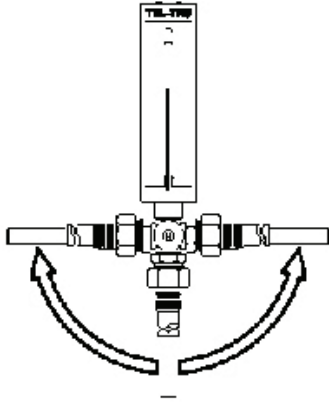




Tel-Tru Manufacturing Company

408 St. Paul Street, Rochester, New York 14605 USA

Phone: 585-232-1440 • 800-232-5335 • Fax: 585-232-3857 • E-mail: info@teltru.com • Web: www.teltru.com



**Spirit Fill
Adjustable Angle
Thermometer**

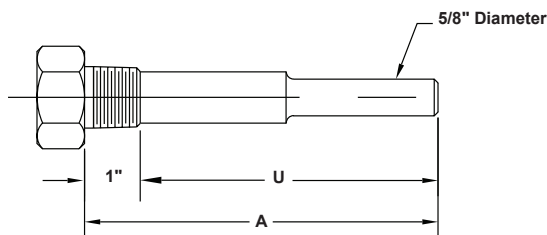
*An
Environmentally
Safe Alternative to
Mercury!*

SPIRIT FILL STANDARD RANGES					
Fahrenheit	°/Div.	Code	Celsius	°/Div.	Code
-40 to 110°F	2°	16	-40 to 40°C	1°	32
0 to 120°F	1°	06	-15 to 50°C	1/2°	47
0 to 160°F	2°	19	-15 to 70°C	1°	48
20 to 180°F	2°	08	0 to 115°C	1°	34
30 to 240°F	2°	22	0 to 150°C	1°	35
30 to 300°F	2°	23			

SPIRIT FILL DUAL SCALE RANGES					
Fahrenheit and Celsius		°/Div.	Code		
-40 to 110°F	-40 to 43°C	2°/1°	20		
0 to 120°F	-17 to 49°C	1°/1/2°	26		
0 to 160°F	-17 to 71°C	2°/1°	28		
20 to 180°F	-6 to 82°C	2°/1°	29		
30 to 240°F	0 to 114°C	2°/1°	30		
30 to 300°F	-1 to 149°C	2°/1°	36		

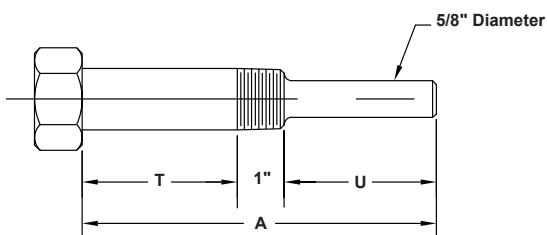
► THERMOWELLS

STANDARD THERMOWELL



STANDARD THERMOWELL PART NUMBERS					
A-Stem	U-Insert.	NPT	Brass	304SS	316SS
3 1/2"	2 1/2"	3/4"	GW001201	GW001203	GW001204
6"	5"	3/4"	GW002201	GW002203	GW002204

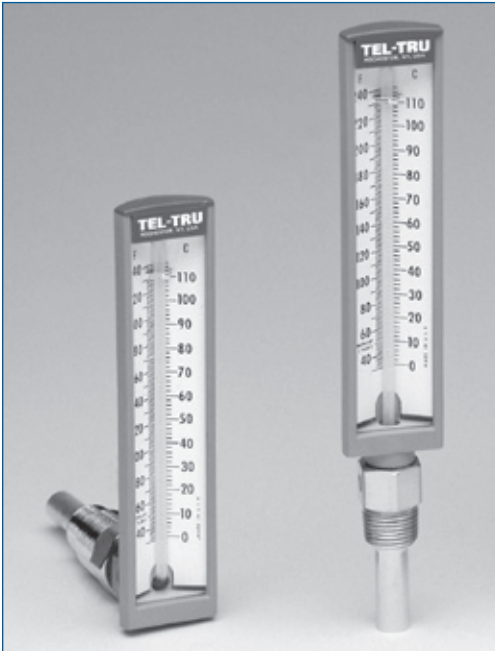
LAGGING EXTENSION THERMOWELL



LAGGING EXTENSION THERMOWELL PART NUMBERS						
A- Stem	T- Exten.	U- Insert.	NPT	Brass	304SS	316SS
3 1/2"	1"	1 1/2"	3/4"	GWE01201	GWE01203	GWE01204
6"	2 1/2"	2 1/2"	3/4"	GWE02201	GWE02203	GWE02204

6" SUBMARINE and ECONOMY THERMOMETERS

Designed for diesel engines, compressors, brine lines and all small piping networks. It is especially adaptable to equipment operating under continuous vibrating conditions.



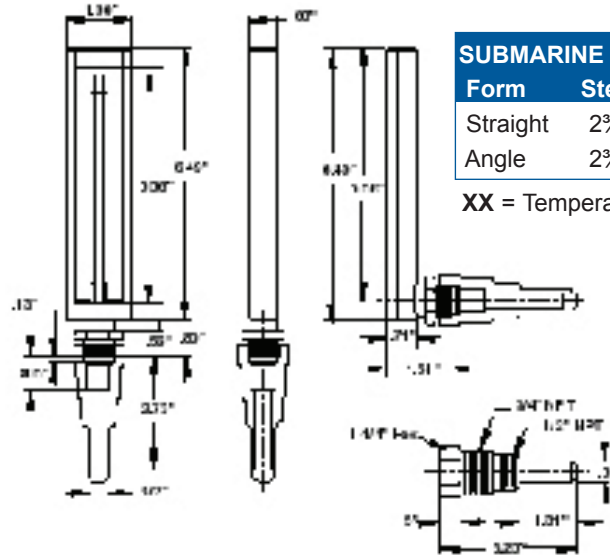
► SPECIFICATIONS

- Case: 6" scale V-shaped gray Valox® case.
 Lens: *Submarine:* Heavy duty protective glass.
Economy: No Lens (available as option).
 Tube: Red spirit.
 Scale: Black print on white V-shaped aluminum scale.
 Accuracy: $\pm 1\frac{1}{2}$ scale division.
 Stem and Well: Standard fittings of all brass construction. Submarine models standard dual threaded for $\frac{1}{2}$ " and $\frac{3}{4}$ " NPT. Economy models standard $\frac{1}{2}$ " NPT brass socket.

► OPTIONS

- Other configuration combinations available upon request.

► SUBMARINE DIMENSIONS

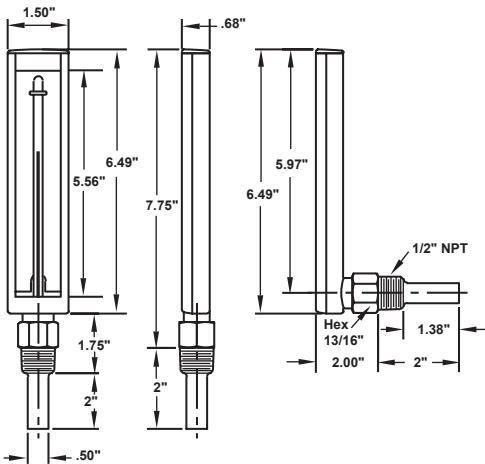


SUBMARINE PART NUMBERS

Form	Stem	6" Scale
Straight	2 $\frac{3}{4}$ "	73423XX
Angle	2 $\frac{3}{4}$ "	74423XX

XX = Temperature Range Code

► ECONOMY DIMENSIONS



ECONOMY PART NUMBERS		
Form	Stem	6" Scale
Straight	2"	7340254R-SE
Angle	2"	7440254R-SE

ECONOMY STANDARD RANGES	
Dual Scale °F/°C	Code
40 to 260°F/5 to 125°C	54

SUBMARINE STANDARD TEMPERATURE RANGES		
Dual Scale °F/°C	°/Div.	Code
50 to 400°F/10 to 205°C	5°/2°	64
-40 to 110°F/-40 to 40°C	2°/2°	56
20 to 180°F/-6 to 82°C	2°/2°	29
30 to 240°F/0 to 114°C	2°/2°	30



Tel-Tru Manufacturing Company

408 St. Paul Street, Rochester, New York 14605 USA

Phone: 585-232-1440 • 800-232-5335 • Fax: 585-232-3857 • E-mail: info@teltru.com • Web: www.teltru.com

MECHANICAL CONTRACTOR PRESSURE GAUGE

A utility gauge used with any liquid or gas not corrosive to bronze.

Typically used for HVAC applications.



► MODEL 52B SPECIFICATIONS:

Dial Size: 4½"
 Accuracy: ±1% FS - ANSI Grade 1A
 Bourdon Tube: Brass
 Movement: Brass
 Socket: Brass
 Lens: Acrylic
 Pointer: Aluminum, Adjustable
 Dial: Heavy Gage Aluminum
 Connection: ¼" NPT Lower Only
 Restrictor: Standard
 Case: Stainless Steel (dry only)
 Range: 30-0-60 up to 0-600
 Scales: psi
 Part Number: 4552BS4L1XXX
 (XXX=Pressure Range Code)

STANDARD PRESSURE RANGES		
CODE = RANGE (psi)	Intervals (psi)	Div. (psi)
Z2A = 30-0-30	5	1
Z3A = 30-0-60	10	2
B7A = 0-15	1	.25
C6A = 0-30	5	.5
D6A = 0-60	10	1
D9A = 0-100	20	2
E4A = 0-160	20	2
E5A = 0-200	20	2
E8A = 0-300	50	5
F2A = 0-400	50	5
F4A = 0-600	100	10

PRESSURE GAUGES

Tel-Tru has a variety of pressure gauge models, configurations and options available.



► MODELS

Model 10 ½% Process, Solid Front, Blowout Back
Model 30 1% Stainless Steel Dry or Liquid Filled
Model 31 1% Solid Front, Blowout Back
Model 32S 1½% Stainless Steel Dry or Liquid Filled
Model 33 Economy Dry or Liquid Filled
Model 37 1½% Low Pressure 4"
Model 42 ¼% Test
Model 50B Metal Case Utility
Model 51B Plastic Case Utility
Model 52B 4½" Mechanical Contractor
Model 55B 2½" Low Pressure Diaphragm Utility

► DIAPHRAGM SEALS

- Threaded, Flanged, Welded
- Mini Seals
- Sanitary

► ACCESSORIES

- Porous Metal Pressure Snubbers
- Piston Type Pressure Snubbers
- Siphons
- Needle Valves
- Gauge Cocks

NOTE: For more information on our Pressure Gauges, please see our Pressure Gauge brochure or visit our website at www.teltru.com

HVAC ACCESSORY PRODUCTS

▶ MINI NEEDLE VALVES

Designed to provide shutoff of liquids or gases.



Part Number TBV4

- Rated up to 600 PSI @ 300°F
- Brass 1/4" NPT FxF

▶ STEAM GAUGE SIPHONS

Protect your instruments from high temperatures. Designed to cool medium before entering pressure gauge.



Part Number 21AS

- 1/4" Type Schedule 40 welded, material - Steel A120
- Other models available

▶ BRASS GAUGE COCKS

Used in conjunction with siphon as an isolation valve.

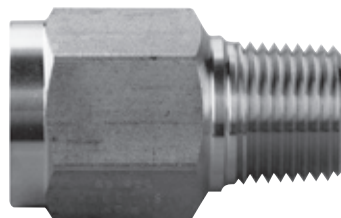


Part Number GC38

- Tee Handle - 1/4" NPT FxF
- **NOT** recommended for pressure **OVER** 100 psi
- Other models available

▶ POROUS BRASS SNUBBERS

A Simple, Cost Effective Solution To Protect Valuable Control Instruments...



Part Number PM22-BE - for light oil and water

Part Number PM22-BG - for air, steam and gas

- Max 3,000 PSI
- 1/4" NPT FxM
- Other models available

NOTE:

For more information on our Pressure Gauges, please see our Pressure Gauge brochure or visit our website at www.teltru.com



Tel-Tru Manufacturing Company

408 St. Paul Street, Rochester, New York 14605 USA

Phone: 585-232-1440 • 800-232-5335 • Fax: 585-232-3857 • E-mail: info@teltru.com • Web: www.teltru.com

TEL-TRU BIMETAL THERMOMETERS and ACCESSORIES

World-Class Thermometers

We manufacture thermometers - but we sell service, reliability, product quality, and performance.



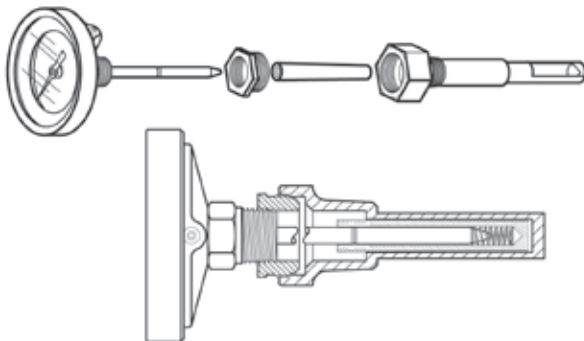
► BIMETAL THERMOMETERS

- **Adjustable Angle Thermometers 3", 4" and 5"**
Heavy duty design, with versatile case and stem that can be adjusted to almost any angle for easy viewing.
- **Back Connected Thermometers 3", 4" and 5"**
A rugged 90° back angle, rear threaded connection design.
- **Bottom Connected Thermometers 3", 4" and 5"**
A sturdy straight form design commonly used for industrial applications and OEM equipment.
- **Back Connected Thermometers 2"**
A smaller size, heavy duty, rear connected unit.
- **Laboratory & General Purpose Thermometers 1¾", 2" and 3"**
These models are used for general purpose testing applications such as laboratory, food, concrete, asphalt, soil, photography and OEM equipment.
- **Testing and Spot Checking Thermometers 1" and 1¾"**
A pocket sized thermometer used by inspectors, service and maintenance personnel, and technicians for general checking in food service and processing, refrigeration, air conditioning and hot asphalt applications.

► THERMOWELL ADAPTER KIT

The AS-86 adapter kit was designed as a simple means of converting existing Industrial Glass Thermometer Wells for use with Bimetal Thermometers.

HOW IT WORKS:



► OPTIONS AND ACCESSORIES

- Connections, Fittings, Lenses, Dials, Tagging and Mounting Flanges
- Thermowell Adapter kit
- Other configurations available

► THERMOWELLS

- Threaded, Flanged, Welded, Van Stone and Sanitary

NOTE: For more information on our Bimetal Thermometers please see brochure #BTXX or visit our website at www.teltru.com



Additional Products available from Tel-Tru

Industrial

Pressure Gauges
 Digital Pressure Gauges
 Pressure Transmitters
 Bimetal Thermometers
 Thermowells
 Glass Industrial Thermometers
 Gas Actuated Thermometers
 Vapor Tension Thermometers
 Surface Thermometers
 Industrial RTDs and Transmitters
 Digi-Tel Thermometers
 Digi-Tel Temperature Transmitter
 Electronic Calibration Instruments

Food / Dairy / Beverage

Sanitary Pressure Gauges
 Sanitary Pressure Transmitters
 Bimetal Thermometers
 Spot Check / Laboratory Testing Thermometers
 Sanitary Bimetal Thermometers
 Sanitary RTDs and Transmitters
 Glow Dial Thermometers
 Non-Contact Thermometers
 Digi-Tel Sanitary Thermometers



Tel-Tru Manufacturing Company

408 St. Paul Street, Rochester, New York 14605 USA

Phone: 585-232-1440 • 800-232-5335 • Fax: 585-232-3857 • E-mail: info@teltru.com • Web: www.teltru.com

Catalog HVAC0602A