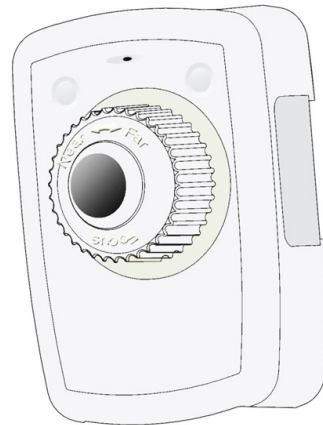


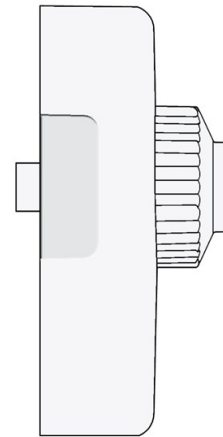
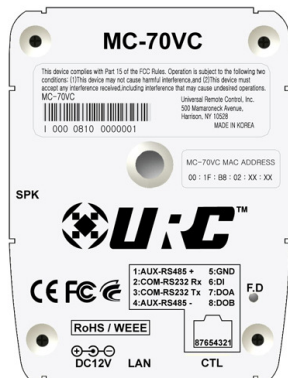
# total control



## **MC-70VC** **VGA CMOS IP camera**

Live video up to 30 fps @ VGA resolution ■ Viewable on MX-6000 and KP-4000 ■ CMOS sensor ■ 4~10,000 Lux operation. ■ Simultaneous dual streaming. ■ Optional WiFi dongle available. ■ Optional POE adapter available.

# MC-70VC Indoor IP Security Camera



## specifications

* Video Encoding	MJPEG/H.264 (simultaneous dual stream) H.264/MJPEG H.264/H.264 (true H.264 dual streaming) Simultaneous streaming with independent control
* Resolution	VGA—640x480 / CIF—320X240 / QCIF—160x140
* Audio Encoding	8 bit PCM (G.711-u-low), Sampling rates 8KHz, Mono Audio
* Security	Channel based user password protection for live-cast, alarm output and audio.
* Working Environment	Temperature: 32~122 F (0~50 °C) / Humidity: 20~80% RH
* Lens	FOCAL LENGTH : 4.3mm, BACK FOCAL LENGTH : 6.3mm APERTURE : F2.0, ANGLE OF VIEW : 78', 61' (Diagonal)
* Weight	0.4 lbs. (0.16Kg) without Power supply