

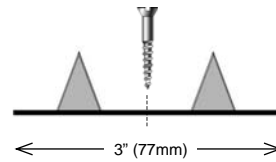
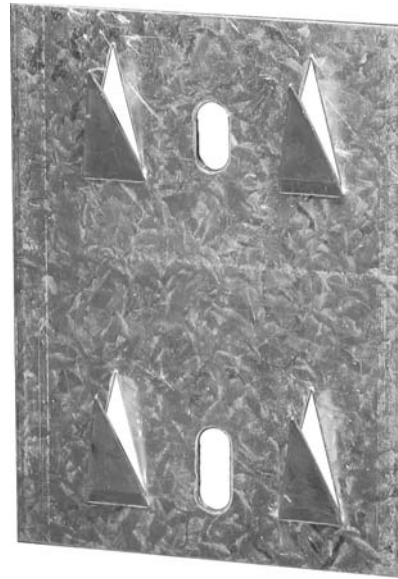
SURFACE IMPALER™

Surface Impalers are designed to provide the installer with a simple, quick, and effective method of mounting Broadway™ glass wool panels onto walls without causing serious surface defacement. Primacoustic Surface Impalers allow the installer to simply pull the panel down onto the Impaler clip quickly and efficiently, while allowing for some levelling adjustability after the panel is installed.

The Surface Impaler features four sharp darts that penetrate the panel and secure it in place. To ensure panels do not get dislodged after installation, applying a dab of construction adhesive to the center of the Impaler during the mounting process adds a level of security and reduces opportunity for tampering. Impalers are installed using typical sheetrock anchors and screws.

SPECIFICATIONS:

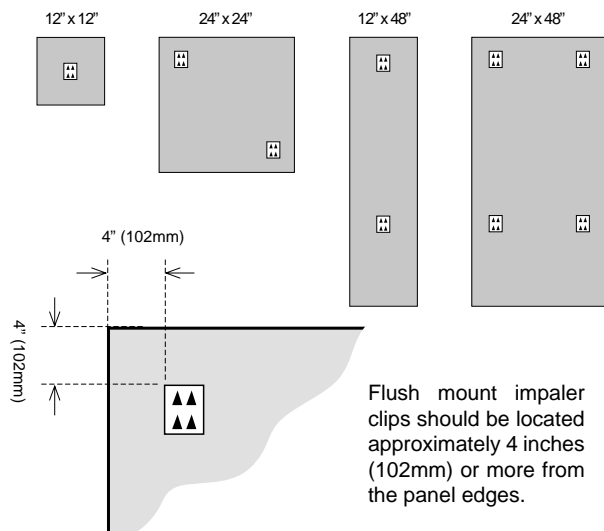
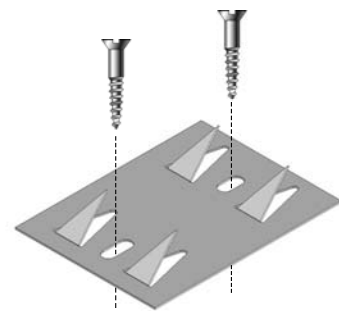
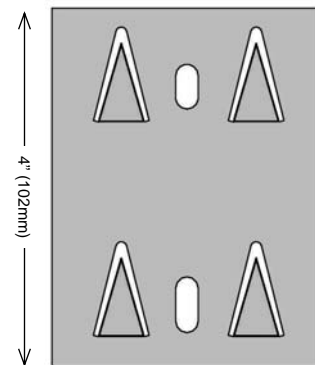
MATERIAL	20 gauge galvanized steel
DIMENSIONS	3" (76mm) x 4" (102mm)
ATTACHMENT POINTS	2 (Use an appropriate fastener for wall surface)
MAX LOAD LIMIT	12 lbs. (5.4 kg.) Dependant on wall fastener
NUMBER PER BOX	24 per box
ORDER NUMBER	F101-1000-00



RECOMMENDED MINIMUM NUMBER OF IMPALERS PER PANEL:

Order No.	Description	HEIGHT	WIDTH	DEPTH	No. of Impalers Needed*
F101-1212-xx	Scatter Blocks	12" (305mm)	12" (305mm)	1" (25mm)	1
F102-1212-xx	Scatter Blocks	12" (305mm)	12" (305mm)	2" (51mm)	1
F101-2424-xx	Control Cubes	24" (610mm)	24" (610mm)	1" (25mm)	2
F102-2424-xx	Control Cubes	24" (610mm)	24" (610mm)	2" (51mm)	2
F122-2424-xx	Control Cubes	24" (610mm)	24" (610mm)	2" (51mm)	2
F101-1248-xx	Control Columns	12" (305mm)	48" (1219mm)	1" (25mm)	2
F102-1248-xx	Control Columns	12" (305mm)	48" (1219mm)	2" (51mm)	2
F122-1248-xx	Control Columns	12" (305mm)	48" (1219mm)	2" (51mm)	2
F103-1248-xx	Control Columns	12" (305mm)	48" (1219mm)	3" (76mm)	2
F101-2448-xx	Broadband Panels	24" (610mm)	48" (1219mm)	1" (25mm)	4
F102-2448-xx	Broadband Panels	24" (610mm)	48" (1219mm)	2" (51mm)	4
F122-2448-xx	Broadband Panels	24" (610mm)	48" (1219mm)	2" (51mm)	4
F103-2448-xx	Broadband Panels	24" (610mm)	48" (1219mm)	3" (76mm)	5
F123-2448-xx	Broadband Panels	24" (610mm)	48" (1219mm)	3" (76mm)	5

*Primacoustic recommends a certain number of impalers per panel as the minimum required for safe installation based on panel depth and weight. For additional security, you may wish to increase these numbers per panel and also combine with construction adhesive.



WALL MOUNTING:

Place top edge on set line. Carefully swing bottom edge to meet impaler heads. With the panel resting on the impaler darts, apply in towards wall and downward pressure.

