

SMITH STAINLESS FLOOR DRAIN SERIES - CAST

7" Round General Purpose Floor Drain with Adjustable Strainer Head for Light Duty Use



Figure No. 9700

Function: General service floor drain for use in finished areas where foot traffic is expected, and where a corrosion resistant drain is required.

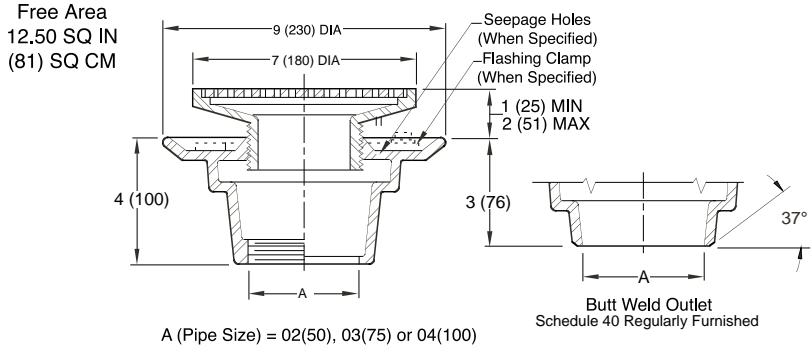


Fig. 9700C CAULK OUTLET Fig. 9700T THREADED OUTLET

REGULARLY FURNISHED

CF8 (Equivalent to Type 304) Rough Finish Stainless Steel Body and Round Adjustable Strainer Head with Satin Finished Top.

VARIATIONS:

- Flashing Clamp with Seepage Holes -C
- Seepage Holes -WSH
- Solid Cover -SC
- Vandal Proof Grate -U
- 4" (100) or 6" (150) Dia. Funnel (Specify Fig. 9703)
- 8 3/4" (220) x 3 3/4" (95) Funnel (Specify Fig. 9704)
- 90° Outlet (Specify Fig. 9759)
- BW Butt Weld Outlet (Specify Schedule -S05, -S10 or -S40)

OPTIONAL MATERIALS:

- A-27 Carbon Steel -A27
- CF8M (Equivalent To Type 316) Stainless Steel -316
- Nickel Bronze Strainer -NB

8 1/2" Round General Purpose Floor Drain for Medium Duty Use



Figure No. 9710

Function: Used in floors where corrosive liquids must drain or be discharged. Solid top variation with closure plug allows placement of drains for future use. The advantage of stainless steel over high silicon iron is that it resists corrosive liquids and accommodates machining for threaded outlets, secured top and/or flashing clamps. These drains are readily adaptable to most types of drain line piping materials. Type 304 stainless steel will handle a variety of corrosive wastes which are found in laboratories, chemical, atomic energy, photographic processing, dairy, breweries and bottling.

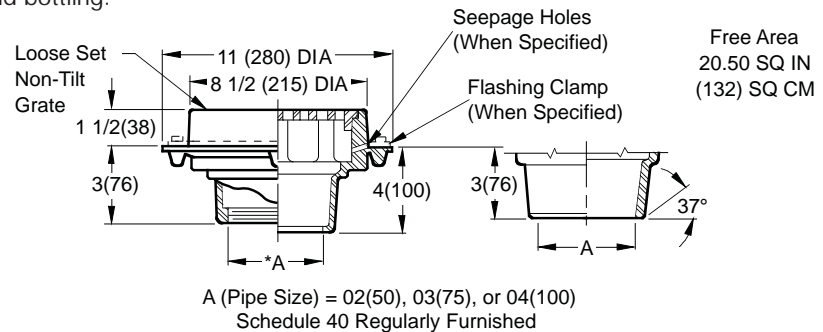


Fig. 9710C CAULK OUTLET
 Fig. 9710T THREADED OUTLET

REGULARLY FURNISHED

CF8 (Equivalent to Type 304) Rough Finish Stainless Steel Body and Loose Set Non-Tilt Grate.

VARIATIONS:

- 4" (100) Extension -E04
- 4" (100) or 6" (150) Dia. Funnel (Specify Fig. 9703)
- 8 3/4" (220) x 3 3/4" (95) Funnel (Specify Fig. 9704)
- Closure Plug and Gasket Available in Stainless Steel -X PSS or Plastic -XPP
- Closure Plug with 3/4" (19) Test Plug -TP (Specify Material)

- Flashing Clamp with Seepage Holes -C
- Flat Bottom Strainer -FBS
- Satin Finish Top -SF
- Sediment Bucket -B
- Seepage Holes -WSH
- Solid Scoriated Cover -SC
- Vandal Proof Grate -U
- BW Butt Weld Outlet (Specify Schedule -S05, -S10, or -S40)

OPTIONAL MATERIALS:

- A-27 Carbon Steel -A27
- Cast Iron Grate -CIG
- CF8M (Equivalent to Type 316) Stainless Steel -316
- Nickel Bronze Grate -NB
- Polished Bronze Grate -PB

NOTE: Dimensions shown in parenthesis are in millimeters.

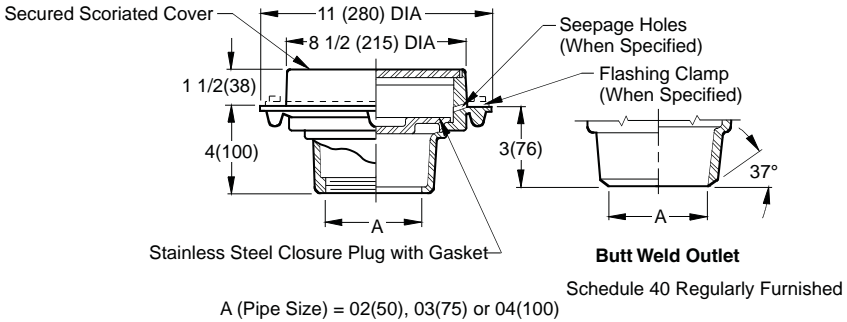
SMITH STAINLESS FLOOR DRAIN SERIES - CAST

8 1/2" Round Special Purpose Floor Drain with Solid Scoriated Cover and Closure Plug for Medium Duty Use



Figure No. 9720

Function: Used in floors and areas where a solid cover is required. Closure plug prevents sewer gases from entering the building through the drain. Type 304 stainless steel will handle a variety of corrosive wastes which are found in laboratories, chemical, atomic energy, photographic processing, dairy, breweries and bottling.



REGULARLY FURNISHED
CF8 (Equivalent to Type 304) Rough Finish Stainless Steel Body, Secured Scoriated Cover and Stainless Steel Closure Plug with Gasket.

- VARIATIONS:**
- 4" (100) Extension -E04
 - Plastic Closure Plug and Gasket -XPP
 - Closure Plug with 3/4" (19) Test Plug -TP (Specify Material)
 - Flashing Clamp with Seepage Holes -C
 - Satin Finish Top -SF
 - Seepage Holes -WSH
 - Vandal Proof -U
 - 90° Side Outlet (Specify Fig. 9759)
 - BW Butt Weld Outlet (Specify Schedule -S05, -S10, or -S40)

- Fig. 9720C CAULK OUTLET
- Fig. 9720T THREADED OUTLET

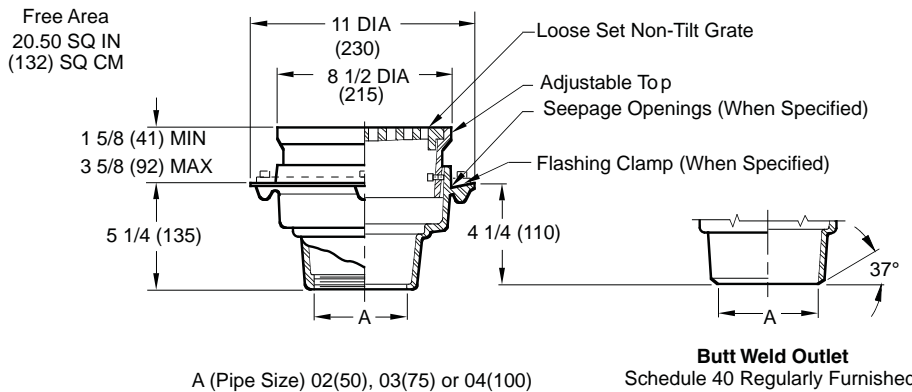
- OPTIONAL MATERIALS:**
- A-27 Carbon Steel -A27
 - CF8M (Equivalent to Type 316) Stainless Steel -316

8 1/2" Round General Purpose Floor Drain with Adjustable Top for Medium Duty Use



Figure No. 9725

Function: Used in moderate traffic areas where an adjustable top permits accurate positioning of grate to meet finished floor levels. Type 304 stainless steel will handle a variety of corrosive wastes which are found in laboratories, chemical, atomic energy, photographic processing, dairy, breweries and bottling.



REGULARLY FURNISHED
CF8 (Equivalent to Type 304) Rough Finish Stainless Steel Body, Loose Set Non-Tilt Grate with Adjustable Top.

- Fig. 9725C CAULK OUTLET
- Fig. 9725T THREADED OUTLET

VARIATIONS:

- 4" (100) Extension -E04
- 4" (100) or 6" (150) Dia. Funnel (Specify Fig. 9703)
- 8 3/4" (220) x 3 3/4" (95) Funnel (Specify Fig. 9704)
- Closure Plug and Gasket Available in Stainless Steel -XPSS or Plastic -XPP
- Closure Plug with 3/4" (19) Test Plug -TP (Specify Material)
- Flashing Clamp with Seepage Holes -C

- Flat Bottom Strainer -FBS
- Satin Finish Top -SF
- Sediment Bucket -B
- Seepage Holes -WSH
- Solid Scoriated Cover -SC
- Vandal Proof Grate -U
- 90° Side Outlet (Specify Fig. 9759)
- BW Butt Weld Outlet (Specify Schedule -S05, -S10, or -S40)

- OPTIONAL MATERIALS:**
- A-27 Carbon Steel -A27
 - Cast Iron Grate -CIG
 - CF8M (Equivalent with Type 316) Stainless Steel -316
 - Nickel Bronze Grate -NB
 - Polished Bronze Grate -PB

SMITH STAINLESS FLOOR DRAIN SERIES - CAST

12" Round Shallow Body Floor Drain for Heavy Duty Use



Figure No. 9730

Function: Used in areas where waste water contains no sediment or debris and construction requires a shallow body. Type 304 stainless steel will handle a variety of corrosive wastes which are found in laboratories, chemical, atomic energy, photographic processing, dairy, breweries and bottling.

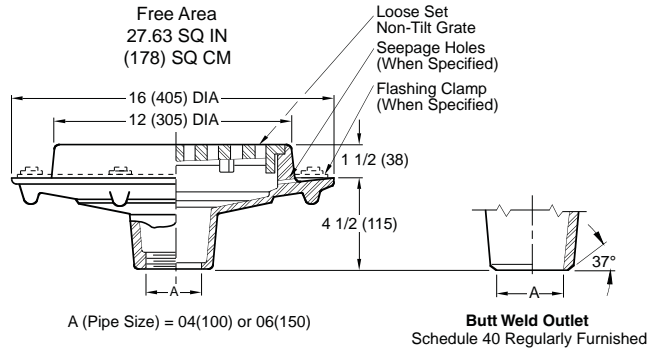


Fig. 9730C . . . CAULK OUTLET
Fig. 9730T . . . THREADED OUTLET

REGULARLY FURNISHED

CF8 (Equivalent to Type 304) Rough Finish Stainless Steel Body and Loose Set Non-Tilt Grate.

VARIATIONS:

- 4" (100) or 6" (150) Dia. Funnel (Specify Fig. 9703)
- 8 3/4" (220) x 3 3/4" (95) Funnel (Specify Fig. 9704)
- Closure Plug and Gasket Available in Stainless Steel -XPSS or Plastic -XPP
- Closure Plug with 3/4" (19) Test Plug (Specify Material)
- Flashing Clamp with Seepage Holes -C
- Satin Finish Top -SF
- Seepage Holes -WSH
- Vandal Proof Grate -U
- 90° Side Outlet (Specify Fig. 9759)
- BW Butt Weld Outlet (Specify Schedule -S05, -S10, or -S40)

OPTIONAL MATERIALS:

- A-27 Carbon Steel -A27
- Cast Iron Grate -CIG
- CF8M (Equivalent to Type 316) Stainless Steel -316
- Nickel Bronze Grate -NB
- Polished Bronze Grate -PB

8 1/2" Round Special Purpose Floor Drain with Adjustable Top, Solid Scoriated Cover and Closure Plug for Medium Duty Use



Figure No. 9735

Function: Used in floors where a solid cover and internal gasketed closure plug are required. Internal plug prevents sewer gas from escaping into building. Adjustable top collar permits accurate position of top cover to meet finished floor.

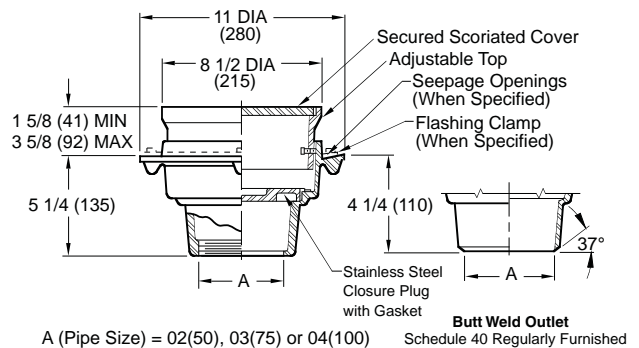


Fig. 9735C . . . CAULK OUTLET
Fig. 9735T . . . THREADED OUTLET

REGULARLY FURNISHED

CF8 (Equivalent to Type 304) Rough Finish Stainless Steel Body, Adjustable Top, Secured Scoriated Cover and Gasketed Stainless Steel Closure Plug.

VARIATIONS:

- 4" (100) Extension -E04
- Plastic Closure Plug and Gasket -XPP
- Closure Plug with 3/4" (19) Test Plug -TP (Specify Material)
- Flashing Clamp with Seepage Holes -C
- Satin Finish Top -SF
- Seepage Holes -WSH
- Vandal Proof Cover -U
- 90° Side Outlet (Specify Fig 9759)
- BW Butt Weld Outlet (Specify Schedule -S05, -S10, or -S40)

OPTIONAL MATERIALS:

- A-27 Carbon Steel -A27
- CF8M (Equivalent to Type 316) Stainless Steel -316

NOTE: Dimensions shown in parenthesis are in millimeters.

SMITH STAINLESS FLOOR SINK SERIES - FABRICATED

12" Square Floor, Area & Indirect Waste Drain with Dome Bottom Strainer or Sediment Bucket



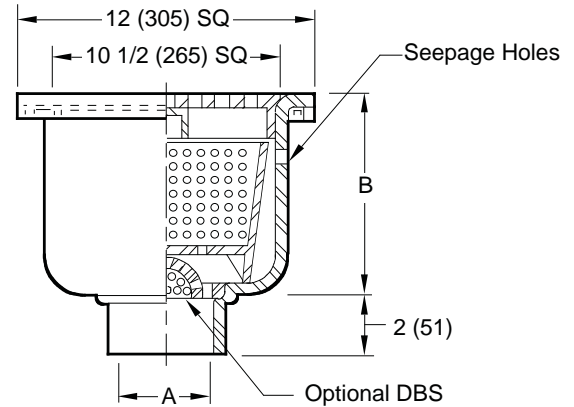
Figure No. 9691-9699

REGULARLY FURNISHED

14 Gauge Type 304 SS Receptor Body with "Seepage Control Holes", Cast Type 316 SS Ribbed Non-Tilt Loose Set Grate with 1/2"(13) Square Holes. Perforated SS Dome Bottom Strainer or Sediment Bucket as Indicated by Figure Number.

Function: Used in nuclear and fossil fuel power stations, chemical plants, laboratories and other areas where the corrosion resistance of type 304 stainless steel is satisfactory for the intended service. Also used in other locations such as breweries, dairies, creameries and similar processing plants where superior corrosion resistance, durability and longevity are required. Excellent for use in restaurants, schools and all types of food handling areas for ultimate sanitation.

Grates w/1/2"(13) holes - Free Area 34 SQ IN (219) SQ CM
Optional grates w/1/4"(6) holes - Free Area 18 SQ IN (116) SQ CM



Sediment Bucket Model Shown

A (Pipe Size) = 02(50), 03(75) or 04(100)
NO-HUB OUTLET Regularly Furnished

FIGURE NUMBERS

| w/Dome Strainer | "B" Dim. | w/Sediment Bucket |
|-----------------|----------|-------------------|
| 9691 | 4 (100) | 9696 |
| 9692 | 6 (150) | 9697 |
| 9693 | 8 (205) | 9698 |
| 9694 | 10 (255) | 9699 |

FEATURES, OPTIONS AND ORDERING INFORMATION

VARIATIONS:

- Dome Bottom Strainer -DBS (Bucket Models only)
- *Flashing Clamp -C
- Less Seepage Control Holes -LSH
- Solid Ported Bucket -SBP
- *with Anchor Flange -F
- Trap Primer Connection -P050 1/2" (13) & -P075 3/4" (19)
- BW Butt Weld Outlet (Specify Schedule -S05, -S10, or -S40)
- T Male Threaded Connection

BUCKET MODELS ONLY:

- with SS Solid Bottom Ported Bucket -SBP
- with SS Dome Bottom Strainer -DBS

OPTIONAL MATERIALS:

- Fabricated from Type 316 Stainless Steel -316

OPTIONAL TOP GRATES AND COVERS

- | Suffix | Description |
|--------------------------------------|---|
| <input type="checkbox"/> -10 | .less SS Grate |
| <input type="checkbox"/> -12 | .with SS 1/2 Grate |
| <input type="checkbox"/> -13 | .with SS 3/4 Grate |
| <input type="checkbox"/> -14 | .with SS 2 1/2" (64) Sq. Center Hole Grate |
| <input type="checkbox"/> -15 | .with SS Recessed Grate with Handle |
| <input type="checkbox"/> -21 | .with SS Grate with 4" (100) Dia. SS Funnel |
| <input type="checkbox"/> -22 | .with SS Grate with 6" (150) Dia. SS Funnel |
| <input type="checkbox"/> -25 | .with SS Grate with 8 1/4" (210) x 3 1/4" (53) x 4 1/2" (115) High Oval SS Funnel |
| <input type="checkbox"/> -26 | .with SS Grate with 6" (150) x 2 1/2" (64) x 1" (25) High Oval SS Funnel |
| <input type="checkbox"/> -41 | .with SS Solid Cover |
| <input type="checkbox"/> -42 | .with SS 1/2 Solid Cover |
| <input type="checkbox"/> -43 | .with SS 3/4 Solid Cover |
| <input type="checkbox"/> -44 | .with SS 2 1/2" (64) Sq. Center Hole Solid Cover |

- | Suffix | Description |
|--------------------------------------|---|
| <input type="checkbox"/> -61 | .with SS Heel-Proof Ribbed Non-Tilt Loose Set Grate with 1/4" (6) Sq. Holes |
| <input type="checkbox"/> -63 | .with SS Medium Duty Heel-Proof Ribbed Non-Tilt Loose Set Grate with 1/4" (6) Sq. Holes |
| <input type="checkbox"/> -64 | .with SS Heavy Duty Ribbed Non-Tilt Loose Set Grate with 1/2" (13) Sq. Holes |
| <input type="checkbox"/> -66 | .with SS Extra Heavy Duty Ribbed Non-Tilt Loose Set Grate with 1/2" (13) Sq. Holes |
| <input type="checkbox"/> -69 | .with 1" (25) Thick Underbolted NB Rim and Extra Heavy Duty Cast Stainless Steel Secured Grate (Flange Regularly Furnished 2" (51) from top will become 3" (76) from top) |

NOTE:

When determining location of this drain, consideration must be given to traffic loading factors. When used in areas where the drain is subjected to any traffic loading heavier than pedestrian foot traffic, the location, load and description of load shall be submitted to Jay R. Smith's Sales Engineering Department for evaluation and selection of proper grate.

*Flange is located 2" (51) from top of drain. 3" (76) when specified.

NOTE: Dimensions shown in parentheses are in millimeters.

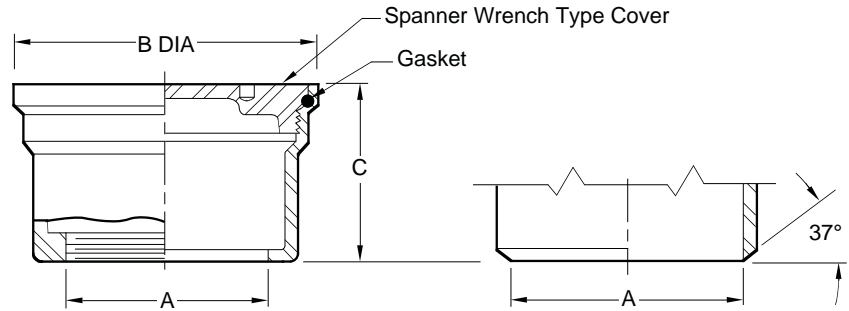
SMITH STAINLESS CLEANOUT SERIES - CAST

Round Deck Plug Type Floor Cleanout for Medium Duty Use



Figure No. 9760



Function: Used as floor cleanout for drainage lines. Cover is water and gas tight and requires a spanner wrench for removal. Type 304 stainless steel will handle a variety of corrosive wastes which are found in laboratories, chemical, atomic energy, photographic processing, dairy, breweries and bottling.



A (Pipe Size) = 02(50), 03(75) or 04(100)

Butt Weld Outlet

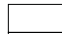

Schedule 40 Regularly Furnished

 Fig. 9760C CAULK OUTLET
 Fig. 9760T THREADED OUTLET

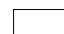


REGULARLY FURNISHED

CF8 (Equivalent to Type 304)
 Rough Finish Stainless Steel
 Body and Cover with Gasket.

VARIATIONS:

 Steel Spanner Wrench -SW
 BW Butt Weld Outlet
 (Specify Schedule -S05, -S10,
 or -S40)

OPTIONAL MATERIALS:

 A-27 Carbon Steel -A27
 CF8M (Equivalent to Type 316)
 Stainless Steel -316
 Nickel Bronze Cover -NB

| A SIZE | B DIA | | C | |
|---------|------------|------------|-----------|-----------|
| | CAULK | BUTT WELD | CAULK | BUTT WELD |
| 02(50) | 4 1/2(115) | 4 1/2(115) | 3(76) | 3(76) |
| 03(75) | 5 1/2(140) | 4 1/2(115) | 3(76) | 3(76) |
| 04(100) | 7 1/2(190) | 5 1/2(140) | 3 1/4(83) | 3 1/4(83) |

SMITH STAINLESS PRODUCT LINE SPECIFICATIONS

FLOOR DRAINS – STAINLESS STEEL



9700 FLOOR DRAIN -GENERAL PURPOSE – ADJUSTABLE TOP – LIGHT DUTY

Furnish and install a Jay R. Smith figure no. 9700 general purpose adjustable floor drain for use in finished areas where foot and/or light wheel traffic is expected and a corrosion resistant drain is required.

The drain shall be furnished with a cast CF8 (Type 304) rough finish stainless steel body and adjustable 7" round strainer head with satin finish.

- Options:**
- 1) Sediment Bucket (-B)
 - 2) 1/2" Trap Primer Connection (-P050)
 - 3) Vandal Proof Top (-U)
 - 4) Flashing Clamp with Seepage Holes (-C)
 - 5) 4" or 6" Dia. Funnel (Specify Fig. 9703)
 - 6) CF8M (Type 316) Stainless Steel (-316)



9710 FLOOR DRAIN –GENERAL PURPOSE – MEDIUM DUTY

Furnish and install a Jay R. Smith figure no. 9710 general purpose 8 1/2" round top floor drain for use in finished or unfinished areas where moderate traffic is expected and a corrosion resistant drain is required.

The drain shall be furnished with a cast CF8 (Type 304) rough finish stainless steel body and loose set non-tilt slotted grate.

- Options:**
- 1) Sediment Bucket (-B)
 - 2) Flashing Clamp with Seepage Holes (-C)
 - 3) Flat Bottom Strainer (-FBS)
 - 4) Satin Finish Top (-SF)
 - 5) Vandal Proof Top (-U)
 - 6) CF8M (Type 316) Stainless Steel (-316)



9720 FLOOR DRAIN –SPECIAL PURPOSE – MEDIUM DUTY

Furnish and install a Jay R. Smith figure no. 9720 special purpose 8 1/2" round top floor drain for use in floors and areas where infrequent drainage is expected requiring a solid cover and closure plug to prevent sewer gas from entering the building.

The drain shall be furnished with a cast CF8 (Type 304) rough finish stainless steel body, secured scoriated cover and stainless steel closure plug with gasket.

- Options:**
- 1) Flashing Clamp with Seepage Holes (-C)
 - 2) Satin Finish Top (-SF)
 - 3) Vandal Proof Top (-U)
 - 4) CF8M (Type 316) Stainless Steel (-316)



9725 FLOOR DRAIN - GENERAL PURPOSE– ADJUSTABLE TOP – MEDIUM DUTY

Furnish and install a Jay R. Smith figure no. 9725 general purpose adjustable 8 1/2" round top floor drain for use in finished or unfinished areas where moderate traffic is expected and a corrosion resistant drain is required.

The drain shall be furnished with a cast CF8 (Type 304) rough finish stainless steel body, adjustable extension and loose set non-tilt slotted grate.

- Options:**
- 1) Sediment Bucket (-B)
 - 2) Flashing Clamp with Seepage Holes (-C)
 - 3) Flat Bottom Strainer (-FBS)
 - 4) Satin Finish Top (-SF)
 - 5) Vandal Proof Top (-U)
 - 6) CF8M (Type 316) Stainless Steel (-316)



9730 FLOOR DRAIN –GENERAL PURPOSE – HEAVY DUTY

Furnish and install a Jay R. Smith figure no. 9730 general purpose 12" round top floor drain for use in finished or unfinished areas where heavy traffic is expected and a corrosion resistant drain is required.

The drain shall be furnished with a cast CF8 (Type 304) rough finish stainless steel body and loose set non-tilt slotted grate.

- Options:**
- 1) Sediment Bucket (-B)
 - 2) Flashing Clamp with Seepage Holes (-C)
 - 3) Flat Bottom Strainer (-FBS)
 - 4) Satin Finish Top (-SF)
 - 5) Vandal Proof Top (-U)
 - 6) CF8M (Type 316) Stainless Steel (-316)



9735 FLOOR DRAIN –SPECIAL PURPOSE – ADJUSTABLE TOP– MEDIUM DUTY

Furnish and install a Jay R. Smith figure no. 9735 special purpose adjustable 8 1/2" round top floor drain for use in floors and areas where infrequent drainage is expected requiring a solid cover and closure plug to prevent sewer gas from entering the building.

The drain shall be furnished with a cast CF8 (type 304) rough finish stainless steel body, adjustable extension, secured scoriated cover and stainless steel closure plug with gasket.

- Options:**
- 1) Flashing Clamp with Seepage Holes (-C)
 - 2) Satin Finish Top (-SF)
 - 3) Vandal Proof Top (-U)
 - 4) CF8M (type 316) Stainless Steel (-316)

FLOOR SINKS – STAINLESS STEEL



9691-9699 INDIRECT WASTE RECEPTOR

Furnish and install a Jay R. Smith figure no. 9691 (-12) series 12" square indirect waste receptor with half grate for use in areas where waste effluent is discharged indirectly and a sanitary and corrosion resistant drain is required.

The drain shall be furnished with a fabricated 14 gauge type 304 stainless steel body, cast type 316 loose set half grate with 1/2" square holes and satin finish and perforated dome bottom strainer.

- Options:**
- 1) 3/4 Grate (-13)
 - 2) Anchor Flange (-F)
 - 3) Flashing Clamp (-C)
 - 4) 1/2" Trap Primer Connection (-P050)
 - 5) Type 316 Stainless Steel (-316)

FLOOR CLEANOUTS – STAINLESS STEEL



9760 DECK PLUG FLOOR CLEANOUT – MEDIUM DUTY

Furnish and install a Jay R. Smith figure no. 9760 deck plug floor cleanout for use in floors where a gas tight spanner type cover is desired and a corrosion resistant cleanout is required.

The cleanout shall be furnished with a cast CF8 (type 304) rough finish stainless steel body and spanner cover with gasket.

- Options:**
- 1) Steel Spanner Wrench (-SW)
 - 2) Type 316 Stainless Steel (-316)

TRENCH DRAIN – STAINLESS STEEL



9660 TRENCH DRAIN – MODULAR SYSTEM

Furnish and install a Jay R. Smith figure no. 9660 trench drain system for use in finished and unfinished areas where a corrosion resistant trench drain is required. The trench drain channels shall be 39.38" long, 6.38" wide, and have a 4" wide throat with bolting end plates. 23 modular channel sections shall be made of 16-gauge type 304 stainless steel. Channels shall be provided either neutral (flat) or with a .6% pre-slope. Channels shall be available with inverts ranging from 3.75 to 7.50". Regularly furnished with secured light duty 9870-450-SS slotted stainless steel grate and 4" no-hub vertical outlet on channel sections 2, 5, 10, 15. End outlet plates are available in 2", 3" and 4" no-hub on channel sections 2, 5, 10, and 15. See table, page 15, for channel selection. Trench drain shall be Jay R. Smith Mfg. Co. figure number 9660 series.

- Options:**
- 1) Buttweld Outlet (-BW)
 - 2) Dome Bottom Strainer (-DBS)
 - 3) 2", 3", 4" End Outlet
 - 4) 4" Center Bottom Outlet (10N Only)
 - 5) CF&M (type 316) Stainless Steel (-316SS)
 - 6) See Page 16 for Grate Selection