

Size-Selected Blanket Folder

AVIATOR

CHICAGO[®]



The Aviator

Flies Through Airline and Other Blanket Folding Needs

The Aviator is a compact folding system designed for airline blankets, knitted sheets, and other tumble-dried blankets and items of comparable size. It will perform up to three primary folds and two crossfolds before delivering neatly folded items to a side delivery shelf or compact stacker/conveyor.

A distinctive feature is Aviator's ability to fold to pre-selected finished package sizes to accommodate specific customer packaging requirements. Flexible control allows initial setup of sixteen fold patterns and finished package sizes that can be selected by program on the alphanumeric message screen.

Aviator is also available with integral spreader/feeder to enable one operator to feed larger blankets without help.

Features:

- Sixteen programs allow items to be folded to defined finished package sizes
- All primary folds performed by air pulse through pinch conveyors
- First crossfold performed by blade through pinch rolls
- Second crossfold made by reversing conveyor
- Compact machine footprint conserves valuable floor space - requires less floor space than a traditional folder-crossfolder
- Maximum piece size 72" x 126" (1800mm x 3200mm)
- Depending on item size, primary folds may be performed to 1/2, 1/3, or 1/4 folds
- Entire fold area is visible to operators and accessible for jam removal, if necessary
- Optional compact stacker/conveyor stacks up to 12" (300 mm) high
- Optional one or two station spreader/feeder allows more efficient feeding of larger pieces by one or two operators
- Stain/tear reject system for rewash or sewing separately discharges these items
- During installation, folded item discharge may be set up to either left or right side of folder
- Consult factory to accommodate item sizes other than shown

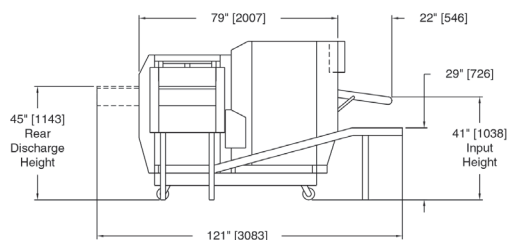
Dimensions and Utilities

NOTE:

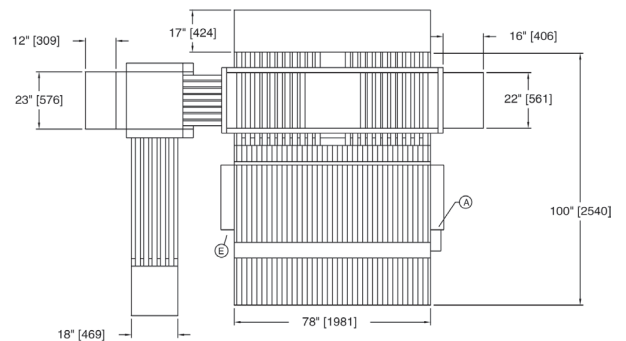
1. Specifications subject to change without notice. Consult factory for certified construction floorplan.
2. Millimeter dimensions are in [].
3. All dimensions are +/- 1/2".
4. Utility connections are located as shown.
5. Discharge configuration may be reversed in field.

CONNECTION(S)	DIA.	HEIGHT
(A) Air Connection	1/2"	-
(D) Compressed Air Drain	1/4"	-
(E) Electrical Connection	-	-

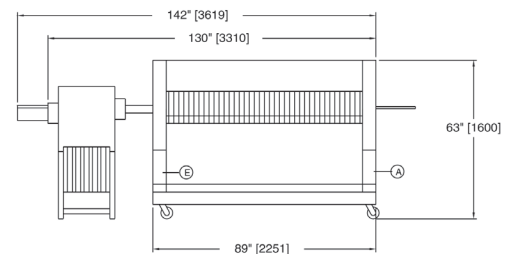
Side View



Top View



Front View



A Complete Range of Separating, Feeding, Ironing, Folding, and Sorting Options

Because Chicago specializes only in flatwork finishing equipment, it can offer the world's widest range of high production separating, feeding, ironing, folding, and sorting equipment. Complete flatwork finishing systems range from automated multi-roll systems producing over 2000 pounds per hour to compact ironers for small on-premise laundries.

Chicago's performance record is unmatched in thousands of installations in commercial, textile rental, institutional, and on-premise laundries. An experienced Chicago professional will be pleased to make an objective equipment recommendation based on your production, space, utility, and budget requirements.

Contact your local Chicago distributor or the factory sales assistance office for a no-obligation analysis of your needs.



CHICAGO DRYER COMPANY
 2200 North Pulaski Road
 Chicago, Illinois USA 60639-3737
 Phone • 773.235.4430
 Fax • 773.235.4439
 Web • www.chidry.com
 Email • chicago@chidry.com