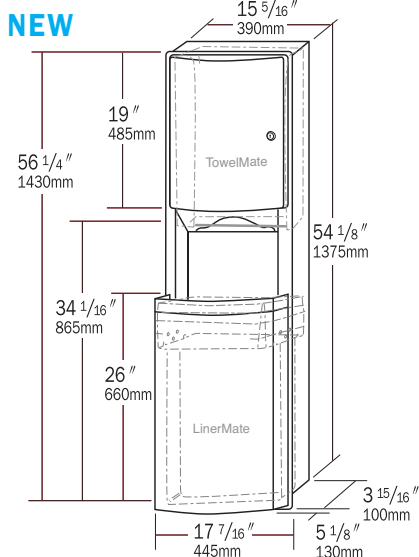


Combination Towel/Waste Units



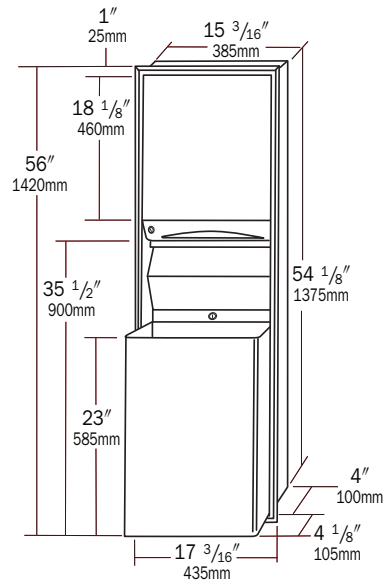
⚡ B-43944 ConturaSeries® RECESSED PAPER TOWEL DISPENSER/WASTE RECEPTACLE WITH TowelMate AND LinerMate

Satin-finish stainless steel. Flush tumbler lock. Dispenses 600 C-fold or 800 multifold towels. Waste receptacle has 15.0-gal. (56.8-L) capacity; extends 5 1/8" (130mm) from wall. Removable front panel for easy cleaning. Rough Wall Opening: 16" W, 54 3/4" H, 4" min. depth (405 x 1390 x 100mm). Av. Mtg. Ht.: 67-74" (1700-1880mm) to top of unit; Barrier-Free, 61 1/4" (1555mm).

B-43949 Similar to B-43944, but with skirt for surface mounting.

ConturaSeries TowelMate/LinerMate accessory part numbers for installation in existing units. Patents pending.

ConturaSeries	TowelMate Part No.	LinerMate Part No.
B-4362	⚡3944-130	N/A
B-43644	N/A	43644-134
B-4262, B-4369, B-43699	⚡369-130	4369-134
B-43944, B-43949	⚡3944-130	43944-134
B-277	N/A	⚡3944-134



⚡ B-3944 ClassicSeries RECESSED CONVERTIBLE PAPER TOWEL DISPENSER/WASTE RECEPTACLE

Unit includes convertible folded paper towel module and 12-gallon waste receptacle module which can be interchanged with an automatic, universal or touch-free roll towel module and 18-gallon waste receptacle module, respectively. Cabinet is not replaced when changing modules. Satin-finish stainless steel. Seamless beveled flange. Dispenses 600 C-fold or 800 multifold towels. Removable waste receptacle is locked into cabinet. Receptacle is 8" (205mm) deep with capacity of 12-gal. (45.5-L); extends 4 1/8" (105mm) from wall. Rough Wall Opening: 16" W, 54 3/4" H, 4" min. depth (405 x 1390 x 100mm). Mtg. Ht.: 67-74" (1700-1880mm) to top of unit; Barrier-Free, 60 1/2" (1535mm). Patent pending.

⚡ B-3942 Similar to B-3944, but with skirt for semi-recessing in 2" (50mm) walls.

⚡ B-3949 Similar to B-3944, but with skirt for surface mounting.

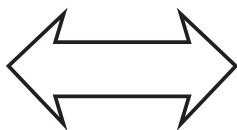
B-3947 Similar to B-3944, but with 18-gallon (68.0-L) waste receptacle.

⚡ **3944-134 LinerMate Accessory**

⚡ **3944-130 TowelMate Accessory**

INTERCHANGEABLE RECEPTACLES

Choose from 12 and 18-gallon waste receptacles based on changing traffic and usage needs. Fits B-3944, B-3961, B-3974 Series.

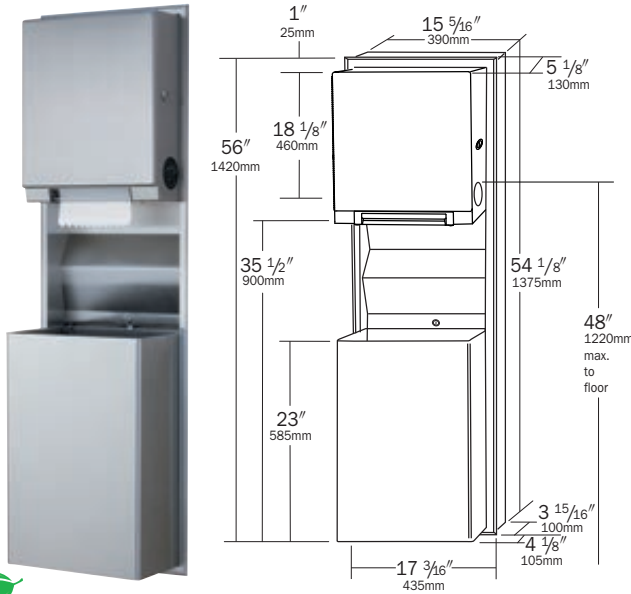


INTERCHANGEABLE TOWEL

Interchangeable towel dispenser modules allow conversion from and to automatic roll towel, touch-free roll towel, and folded towel.



Combination Towel/Waste Units



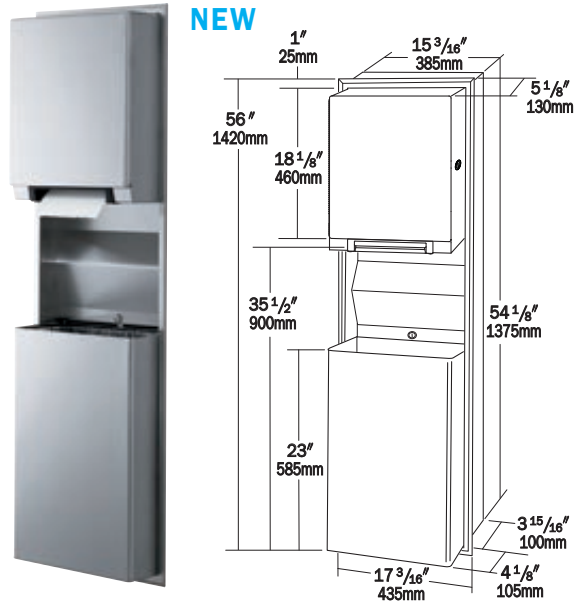
B-3961 ClassicSeries RECESSED CONVERTIBLE PAPER TOWEL DISPENSER/WASTE RECEPTACLE

Unit includes convertible universal, roll paper towel module and 12-gallon waste receptacle module which can be interchanged with an automatic, universal or folded towel module and 18-gallon waste receptacle module, respectively. Cabinet is not replaced when changing modules. Satin-finish stainless steel. Seamless beveled flange. Touch-free, pull-towel mechanism dispenses 12" (305mm) length per pull of universal roll paper towels. Accommodates 8" (205mm) wide, up to 8" (205mm) diameter rolls, 800 ft (244m) long, plus 3 1/2" (90mm) diameter stub roll with automatic transfer. Removable waste receptacle is locked into cabinet. Receptacle is 8" (205mm) deep with capacity of 12-gal. (45.5-L); extends 4 1/8" (105mm) from wall. Rough Wall Opening: 16" W, 54 3/4" H, 4" min. depth (405 x 1390 x 100mm). Av. Mtg. Ht.: 67-74" (1700-1880mm) to top of unit; Barrier-Free, 60 1/2" (1535mm). Patented.

B-39619 Similar to B-3961, but with skirt for surface mounting.

B-39617 Similar to B-3961, but with 18-gallon (68.0-L) waste receptacle.

#3944-134 LinerMate Accessory



B-3974 ClassicSeries RECESSED CONVERTIBLE AUTOMATIC, UNIVERSAL ROLL TOWEL DISPENSER/WASTE RECEPTACLE

Convertible automatic universal, roll paper towel dispenser and 12-gal. waste receptacle module can be interchanged with a universal, touch-free module or a folded towel module and 18-gal. waste receptacle, respectively. Cabinet is not replaced when changing modules. Satin-finish stainless steel. Seamless beveled flange. Removable waste receptacle is locked into cabinet. Receptacle is 8" (205mm) deep with a capacity of 12-gal. (45.5L); extends 4 1/8" (105mm) from wall. Rough wall opening 16" W, 54 3/4" H, 4" min. depth (405 x 1390 x 100mm). Mtg. Ht.: 67-74" (1700-1880mm) to top of unit. Barrier-Free, 60 1/2" (1535mm). Battery requirements: 4 Alkaline D Cells (not included). Patented.

B-3979 Similar to B-3974, but with 4" (100mm) skirt for surface mounting.

B-39747 Similar to B-3974, but with 18-gallon (68.0-L) waste receptacle.

#3944-134 LinerMate Accessory

3974-57 AC External Adapter (6V)
available for B-3974, B-3979, B-39747 and 3974-50.

Cost Saving features for Automatic, Universal Roll Towel Dispensers (see page 5)

DISPENSER MODULES FOR B-3944, B-3961, B-3974 SERIES

Each module dispenses universal, economically priced paper products compared to proprietary paper purchasing contracts.

Conversions are made without replacing existing cabinets in the wall.

