

Round pump



- ▶ Energy efficient due to the COAX® technology
- ▶ High vacuum flow with 6x COAX® Si MIDI cartridges
- ▶ Small, compact and light in weight
- ▶ Easy to mount and install in a vacuum line
- ▶ Integrated hose connectors

Technical data

Description	Unit	Value
Feed pressure, max.	MPa	0.7
Noise level	dBa	70–82
Material		PPS, PA, NBR, Viton®, SS
Temperature range	°C	-10–80
Weight	g	1130

Vacuum flow

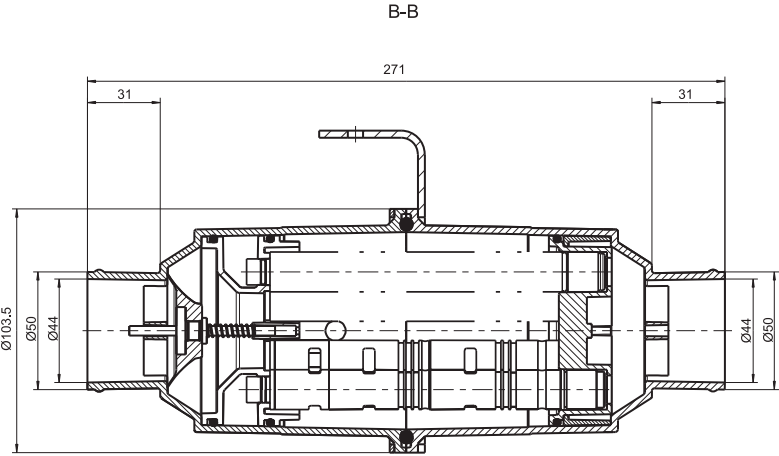
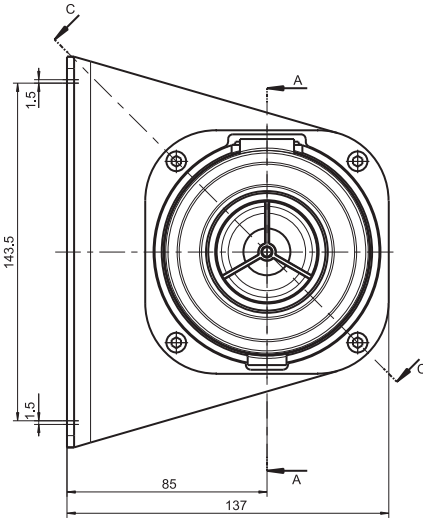
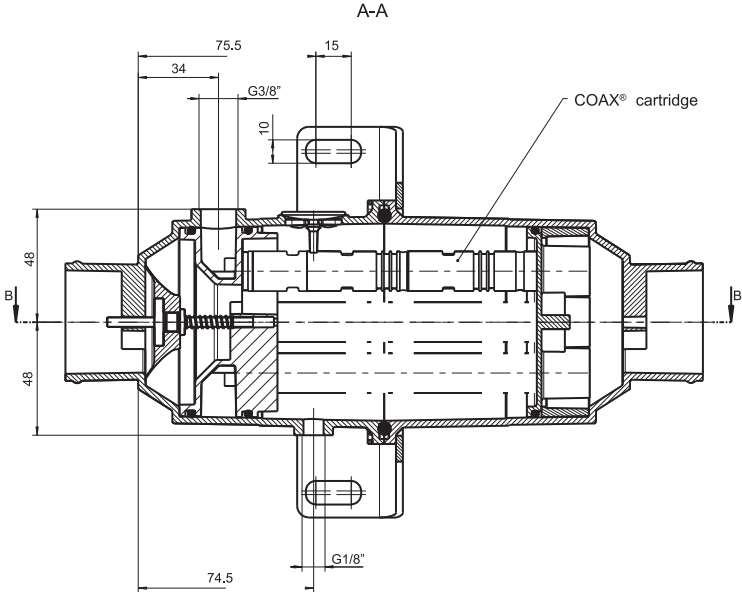
Feed pressure MPa	Air consumption NI/s	Vacuum flow (NI/s) at different vacuum levels (-kPa)								Max vacuum -kPa
		0	10	20	30	40	50	60	70	
0.40	7.5	30.0	17.4	11.4	7.2	4.8	2.4	0.6	—	60
0.50	9.0	34.2	19.8	13.2	8.4	5.1	3.72	2.1	1.08	70
0.60	10.5	36.0	21.0	15.6	10.2	5.4	3.6	3.0	2.1	75

Evacuation time

Feed pressure MPa	Air consumption NI/s	Evacuation time (s/l) to reach different vacuum levels (-kPa)							Max vacuum -kPa
		10	20	30	40	50	60	70	
0.40	7.5	0.005	0.012	0.023	0.040	0.070	0.167	—	60
0.50	9.0	0.003	0.010	0.018	0.035	0.058	0.100	0.167	70
0.60	10.5	0.003	0.008	0.017	0.030	0.055	0.088	0.133	75

Ordering information

Description	Art. No.
Round pump COAX® 6xSi32-3	0121632



P6040



- ▶ Patented COAX® technology.
- ▶ Available with a three-stage COAX® cartridge MIDI. Choose an Si cartridge for extra vacuum flow, a Pi cartridge for high performance at low feed pressure or an Xi cartridge when high flow and deep vacuum is needed.
- ▶ Substantially lower air consumption.
- ▶ Modular design for flexible performance.
- ▶ Compact and durable with no moving parts.

Technical data

Description	Unit	Value
Feed pressure, max	MPa	0.7
Noise level	dBA	57-76
Temperature range	°C	-10-80
Weight	g	4300-5600
Material		Al, PA, NBR, SS, POM, HDPE

Vacuum flow

COAX® cartridge	Feed pressure MPa	Air consumption NI/s	Vacuum flow (NI/s) at different vacuum levels (-kPa)											Max vacuum -kPa
			0	10	20	30	40	50	60	70	80	90		
Pi48-3	0.30	2.0	5.6	2.5	1.8	1.1	0.65	0.50	0.35	0.25	0.10	—	90/53*	
Si32-3	0.60	1.75	6.0	3.5	2.6	1.7	0.90	0.60	0.50	0.35	—	—	75/52*	
Xi40-3	0.45	1.83	5.9	3.0	2.0	1.3	0.73	0.58	0.43	0.32	0.18	0.03	95/51*	

Values for one COAX® cartridge. Multiply with number of cartridges. For vacuum flows at other feed pressures, see section Vacuum cartridges/integration.

* COAX® cartridge module, 1x flap valve

Evacuation time

COAX® cartridge	Feed pressure MPa	Air consumption NI/s	Evacuation time (s/l) to reach different vacuum levels (-kPa)										Max vacuum -kPa
			10	20	30	40	50	60	70	80	90		
Pi48-3	0.30	2.0	0.020	0.060	0.12	0.25	0.45	0.70	1.0	1.6	4.0	90/53*	
Si32-3	0.60	1.75	0.020	0.050	0.10	0.18	0.33	0.53	0.80	—	—	75/52*	
Xi40-3	0.45	1.83	0.022	0.062	0.12	0.22	0.37	0.57	0.84	1.2	2.2	95/51*	

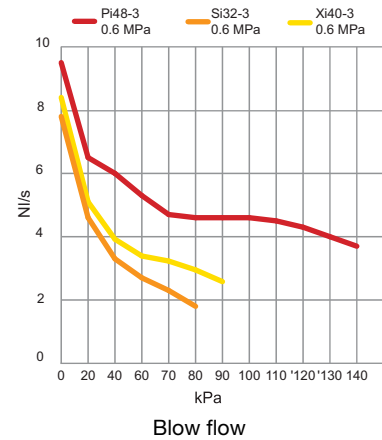
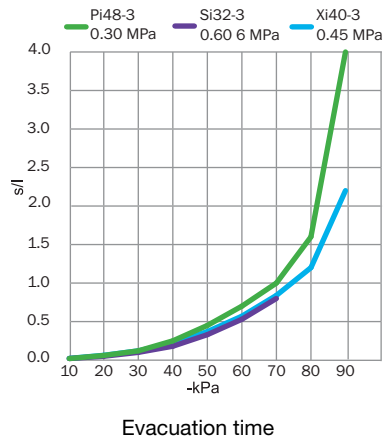
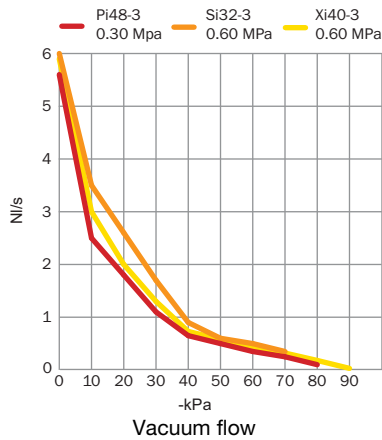
Values for one COAX® cartridge. Divide with number of cartridges. For evacuation times at other feed pressures, see section Vacuum cartridges/integration.

* COAX® cartridge module, 1x flap valve

Blow flow

COAX® cartridge	Feed pressure MPa	Air consumption NI/s	Blow flow (NI/s) at different pressure levels (kPa)												Max pressure kPa
			0	20	40	60	70	80	90	100	110	120	130	140	
Pi48-3	0.6	3.55	9.5	6.5	6.0	5.3	4.7	4.6	4.6	4.6	4.5	4.3	4.0	3.7	140
Si32-3	0.6	1.75	7.8	4.6	3.3	2.7	2.3	1.8	—	—	—	—	—	—	80
Xi40-3	0.6	2.33	8.4	5.1	3.92	3.39	3.23	2.95	2.58	—	—	—	—	—	90

Values for one COAX® cartridge. Multiply with number of cartridges.



Ordering information

1. Housing		P6040 Code
Housing P6040		P6040
2. Select Application type		P6040 Code
P6040 Blow		B
P6040 Vacuum		V
3. COAX® cartridge modules		P6040 Code
a	COAX® cartridge module Pi48-3X5	AA
a	COAX® cartridge module Pi48-3X6	AB
a	COAX® cartridge module Pi48-3X7	AC
a	COAX® cartridge module Pi48-3X8	AD
a	COAX® cartridge module Pi48-3X9	AE
a	COAX® cartridge module Pi48-3X10	AF
a	COAX® cartridge module Pi48-3X11	AG
a	COAX® cartridge module Pi48-3X12	AH
a	COAX® cartridge module Pi48-3X13	AI
a	COAX® cartridge module Pi48-3X14	AJ
a	COAX® cartridge module Pi48-3X15	AK
a	COAX® cartridge module Pi48-3X16	AL
b	COAX® cartridge module Pi48-3X5, non-return valve	AM
b	COAX® cartridge module Pi48-3X6, non-return valve	AN
b	COAX® cartridge module Pi48-3X7, non-return valve	AO
b	COAX® cartridge module Pi48-3X8, non-return valve	AP
b	COAX® cartridge module Pi48-3X9, non-return valve	AQ
b	COAX® cartridge module Pi48-3X10, non-return valve	AR
b	COAX® cartridge module Pi48-3X11, non-return valve	AS
b	COAX® cartridge module Pi48-3X12, non-return valve	AT
b	COAX® cartridge module Pi48-3X13, non-return valve	AU
b	COAX® cartridge module Pi48-3X14, non-return valve	AV
b	COAX® cartridge module Pi48-3X15, non-return valve	AW
b	COAX® cartridge module Pi48-3X16, non-return valve	AX
c	COAX® cartridge module Pi48-3X5, 1x flap valve	AY
c	COAX® cartridge module Pi48-3X6, 1x flap valve	AZ
c	COAX® cartridge module Pi48-3X7, 1x flap valve	BA
c	COAX® cartridge module Pi48-3X8, 1x flap valve	BB
c	COAX® cartridge module Pi48-3X9, 1x flap valve	BC
c	COAX® cartridge module Pi48-3X10, 1x flap valve	BD
c	COAX® cartridge module Pi48-3X11, 1x flap valve	BE
c	COAX® cartridge module Pi48-3X12, 1x flap valve	BF
c	COAX® cartridge module Pi48-3X13, 1x flap valve	BG
c	COAX® cartridge module Pi48-3X14, 1x flap valve	BH
c	COAX® cartridge module Pi48-3X15, 1x flap valve	BI
c	COAX® cartridge module Pi48-3X16, 1x flap valve	BJ
a	COAX® cartridge module Si32-3X5	BK
a	COAX® cartridge module Si32-3X6	BL
a	COAX® cartridge module Si32-3X7	BM
a	COAX® cartridge module Si32-3X8	BN

	3. COAX® cartridge modules	P6040 Code
a	COAX® cartridge module Si32-3X9	BO
a	COAX® cartridge module Si32-3X10	BP
a	COAX® cartridge module Si32-3X11	BQ
a	COAX® cartridge module Si32-3X12	BR
a	COAX® cartridge module Si32-3X13	BS
a	COAX® cartridge module Si32-3X14	BT
a	COAX® cartridge module Si32-3X15	BU
a	COAX® cartridge module Si32-3X16	BV
b	COAX® cartridge module Si32-3X5, non-return valve	BW
b	COAX® cartridge module Si32-3X6, non-return valve	BX
b	COAX® cartridge module Si32-3X7, non-return valve	BY
b	COAX® cartridge module Si32-3X8, non-return valve	BZ
b	COAX® cartridge module Si32-3X9, non-return valve	CA
b	COAX® cartridge module Si32-3X10, non-return valve	CB
b	COAX® cartridge module Si32-3X11, non-return valve	CC
b	COAX® cartridge module Si32-3X12, non-return valve	CD
b	COAX® cartridge module Si32-3X13, non-return valve	CE
b	COAX® cartridge module Si32-3X14, non-return valve	CF
b	COAX® cartridge module Si32-3X15, non-return valve	CG
b	COAX® cartridge module Si32-3X16, non-return valve	CH
c	COAX® cartridge module Si32-3X5, 1x flap valve	CI
c	COAX® cartridge module Si32-3X6, 1x flap valve	CJ
c	COAX® cartridge module Si32-3X7, 1x flap valve	CK
c	COAX® cartridge module Si32-3X8, 1x flap valve	CL
c	COAX® cartridge module Si32-3X9, 1x flap valve	CM
c	COAX® cartridge module Si32-3X10, 1x flap valve	CN
c	COAX® cartridge module Si32-3X11, 1x flap valve	CO
c	COAX® cartridge module Si32-3X12, 1x flap valve	CP
c	COAX® cartridge module Si32-3X13, 1x flap valve	CQ
c	COAX® cartridge module Si32-3X14, 1x flap valve	CR
c	COAX® cartridge module Si32-3X15, 1x flap valve	CS
c	COAX® cartridge module Si32-3X16, 1x flap valve	CT
a	COAX® cartridge module Xi40-3X5	CU
a	COAX® cartridge module Xi40-3X6	CV
a	COAX® cartridge module Xi40-3X7	CW
a	COAX® cartridge module Xi40-3X8	CX
a	COAX® cartridge module Xi40-3X9	CY
a	COAX® cartridge module Xi40-3X10	CZ
a	COAX® cartridge module Xi40-3X11	DA
a	COAX® cartridge module Xi40-3X12	DB
a	COAX® cartridge module Xi40-3X13	DC
a	COAX® cartridge module Xi40-3X14	DD
a	COAX® cartridge module Xi40-3X15	DE
a	COAX® cartridge module Xi40-3X16	DF
b	COAX® cartridge module Xi40-3X5, non-return valve	DG
b	COAX® cartridge module Xi40-3X6, non-return valve	DH
b	COAX® cartridge module Xi40-3X7, non-return valve	DI
b	COAX® cartridge module Xi40-3X8, non-return valve	DJ
b	COAX® cartridge module Xi40-3X9, non-return valve	DK
b	COAX® cartridge module Xi40-3X10, non-return valve	DL
b	COAX® cartridge module Xi40-3X11, non-return valve	DM
b	COAX® cartridge module Xi40-3X12, non-return valve	DN
b	COAX® cartridge module Xi40-3X13, non-return valve	DO
b	COAX® cartridge module Xi40-3X14, non-return valve	DP
b	COAX® cartridge module Xi40-3X15, non-return valve	DQ
b	COAX® cartridge module Xi40-3X16, non-return valve	DR
c	COAX® cartridge module Xi40-3X5, 1x flap valve	DS
c	COAX® cartridge module Xi40-3X6, 1x flap valve	DT
c	COAX® cartridge module Xi40-3X7, 1x flap valve	DU
c	COAX® cartridge module Xi40-3X8, 1x flap valve	DV
c	COAX® cartridge module Xi40-3X9, 1x flap valve	DW
c	COAX® cartridge module Xi40-3X10, 1x flap valve	DX
c	COAX® cartridge module Xi40-3X11, 1x flap valve	DY
c	COAX® cartridge module Xi40-3X12, 1x flap valve	DZ
c	COAX® cartridge module Xi40-3X13, 1x flap valve	EA

3. COAX® cartridge modules		P6040 Code
c	COAX® cartridge module Xi40-3X14, 1x flap valve	EB
c	COAX® cartridge module Xi40-3X15, 1x flap valve	EC
c	COAX® cartridge module Xi40-3X16, 1x flap valve	ED

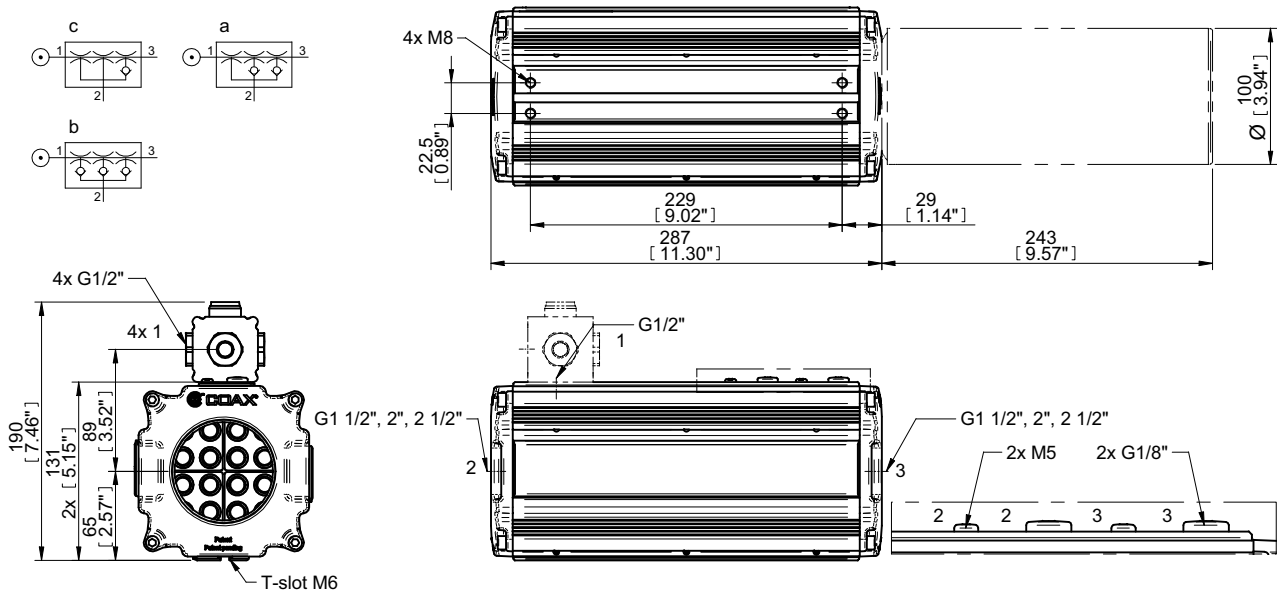
4. Mounting		P6040 Code
T-slot		00

5. Select Cover plate, function		P6040 Code
Connection G1/2"		AA
Connection 4x G1/2"		AB
Function V30		AC
Function ES Vacuum		AD

For detailed information on V30 and ES Vacuum, see separate datasheets.

6. Select Connections for vacuum and blow		P6040 Code
Connection G 1 1/2"		00
Connection G 2"		01
Connection G 2 1/2"		02
Connection G 1 1/2", silencer		03
Connection G 2", silencer		04
Connection G 2 1/2", silencer		05
Connection G 1 1/2", inlet silencer		06
Connection G 2", inlet silencer		07
Connection G 2 1/2", inlet silencer		08

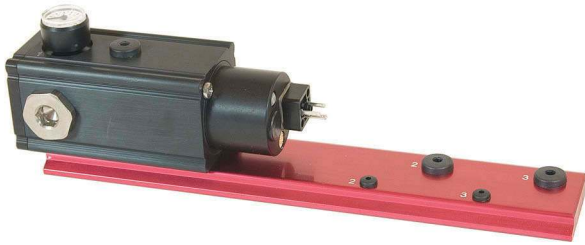
Example	Ordering No.
P6040 Vacuum, Pi48-3X5, Mounting T-slot, Cover plate with 4 connections G1/2", Connection G 2 1/2" and silencer	P6040 V AA 00 AB 05
P6040 Vacuum, Pi48-3X5, Mounting T-slot, Cover plate with connection G1/2", Connection G 2 1/2" and silencer	P6040 V AA 00 AA 05



Ordering information, accessories

Description	Art. No.
Manometer 250 kPa	3101626

P6040 Function V30



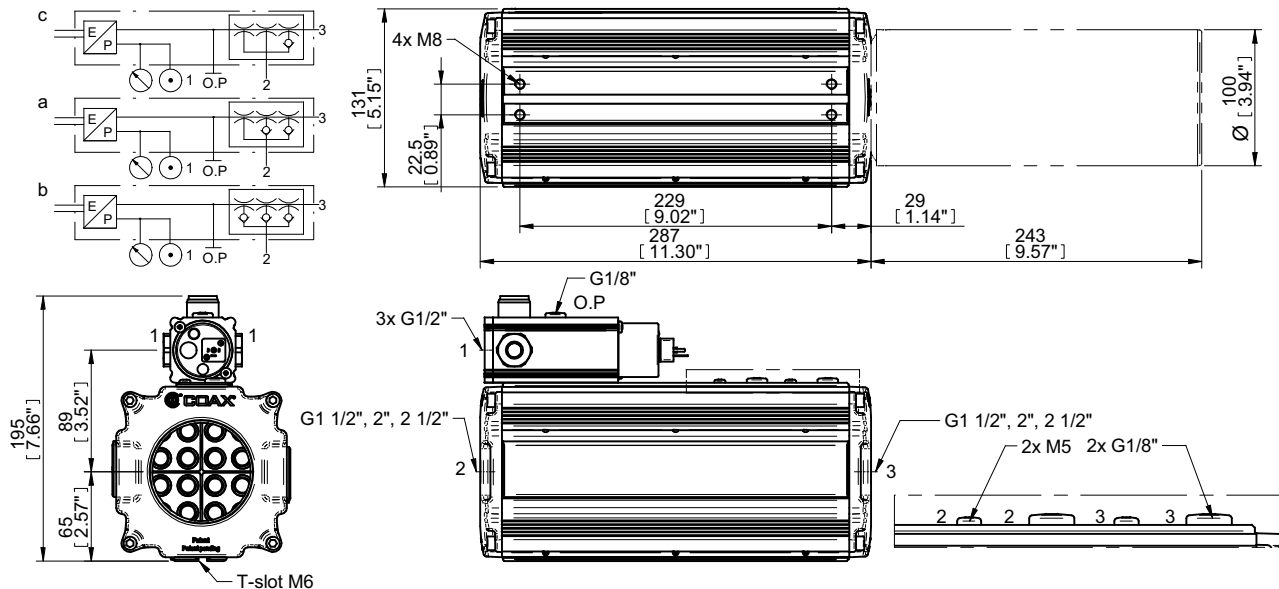
- ▶ Patented COAX® technology
- ▶ Substantially lower air consumption
- ▶ Modular design for flexible performance
- ▶ Compact and durable with no moving parts
- ▶ With its low energy consumption it can be controlled directly from the control system

Technical data

Description	Unit	Value
Feed pressure	MPa	0.7
Noise level	dBA	57–76
Temperature range	°C	0–50
Voltage	V	24
Voltage range	V	14–28
Current consumption	mA	40
Ripple	V _p	1 V _{rms}
Safety classification	IP	65
Display		LED
Weight	g	4900–5900
Material		Al, PA, NBR, SS, POM, HDPE, CuZn, PBT

Ordering information

Description	Art. No.
Function V30	0117783
Example	Ordering No.
P6040 Vacuum, Pi48-3X5, Mounting T-slot, Cover plate with function V30, Connection G 2 1/2" and silencer	P6040 V AA 00 AC 05



P6040 Function ES Vacuum



- ▶ Patented COAX® technology
- ▶ Substantially lower air consumption
- ▶ Modular design for flexible performance
- ▶ Compact and durable with no moving parts
- ▶ Saves energy when the vacuum requirement varies

Technical data

Description	Unit	Value
Feed pressure	MPa	0.7
Noise level	dBA	57-76
Temperature range	°C	0-50
Signal range	-kPa	15-95
Hysteresis	kPa	1-79
Voltage	V	24
Voltage range	V	14-28
Current consumption	mA	60
Ripple	V _p	1 V _{rms}
Safety classification	IP	40
Display		LED
Weight	g	5000-6000
Material		Al, PA, NBR, SS, POM, HDPE, PC, CuZn, PBT

Ordering information

Description	Art. No.
Function ES Vacuum	0117784
Example	Ordering No.
P6040 Vacuum, Si32-3X5 with non-return valve, Mounting T-slot, Cover plate with function ES vacuum, Connection G 2 1/2" with silencer	P6040 V BW 00 AD 05

