

# RADIATION SHIELDING

## LEAD LINED PLYWOOD & PLASTERBOARD

### VENEER PLASTERBOARD

All of these products are available with the same lead requirements and applications as the Lead Lined Drywall (Lead Lined Sheetrock, Lead Lined Gypsum Wallboard).

#### Lead Lined Plywood

Many types of plywood are available upon request. We can readily offer 5/8" and 3/4" thick fire treated plywood meeting or exceeding the following specifications:

- ASTM D5516
- ASTM D5564
- ASTM E-84

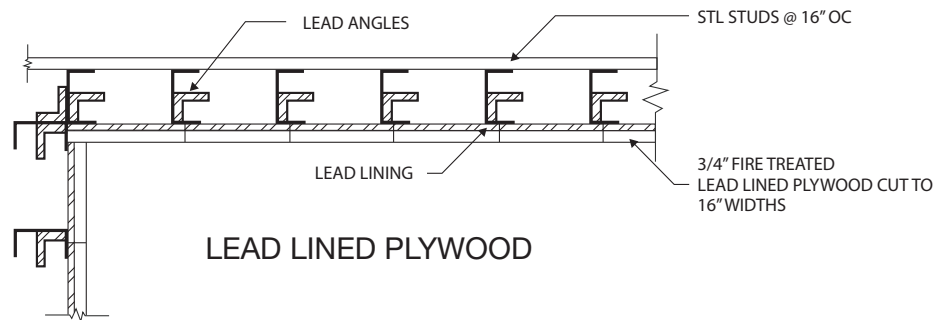
We also offer CDX, Pyro-Guard, HI-ABUSE® and HI-IMPACT® FIRE-SHIELD WALLBOARD, best used with our Lead Angles.

Lead Lined Plywood is typically recommended with heavier lead shielding requirements, usually when the lead shielding exceeds 1/8" thick. Lead Lined Plywood at these thicknesses becomes very heavy to handle in full sheet form (4' x 8'). We recommend having us cut the Lead Lined Plywood into widths that equal your on-center stud dimensions (e.g. 12" or 16"). This will make the Lead Lined Plywood much more manageable for the installer.

#### Example:

1 sheet of 3/4" x 4' x 8' plywood with 1/4" lead lining to 7' weighs approx. 505 lbs.

1 sheet of 3/4" x 16" x 8' plywood with 1/4" lead lining to 7' weighs approx. 168 lbs.



*Just like Lead Lined Drywall, you must account for the shielding of all penetrations, seams and cut outs in the Lead Lined Plywood. If the Lead Lined Plywood is cut to the on-center stud dimensions, Lead Angles of the same lead thickness and height will shield all the joints and fastener penetrations. The cut outs (receptacles, light switches, etc.) will need to have shielding behind them as well to ensure total protection.*



1000 Superior Boulevard, Suite 310 • Wayzata, MN 55391  
**1.888.RINGRPP** (1.888.746.4777) • TOLL FREE FAX: 1.866.554.8445  
www.radiationproducts.com

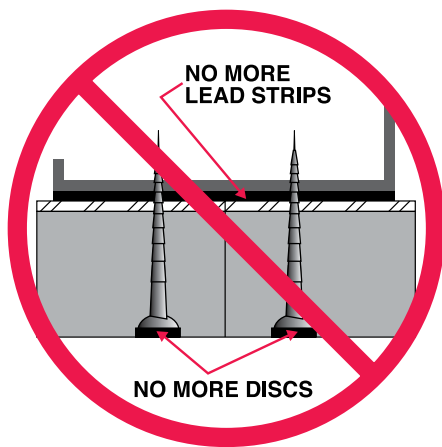
**serving the nation's lead needs for over 50 years with a full line of radiation shielding products**

# RADIATION SHIELDING LEAD ANGLES

## LEAD ANGLES

### Save \$ on Labor... "Easy Installation"

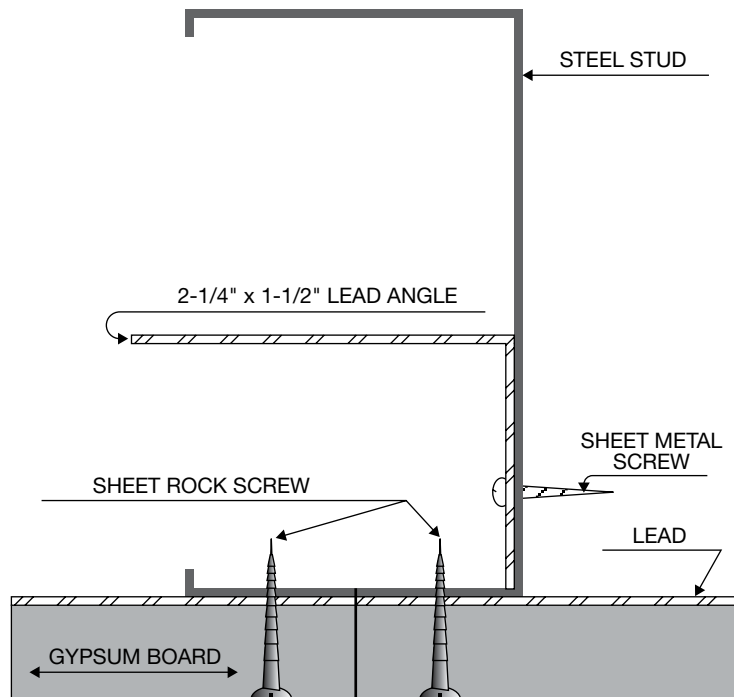
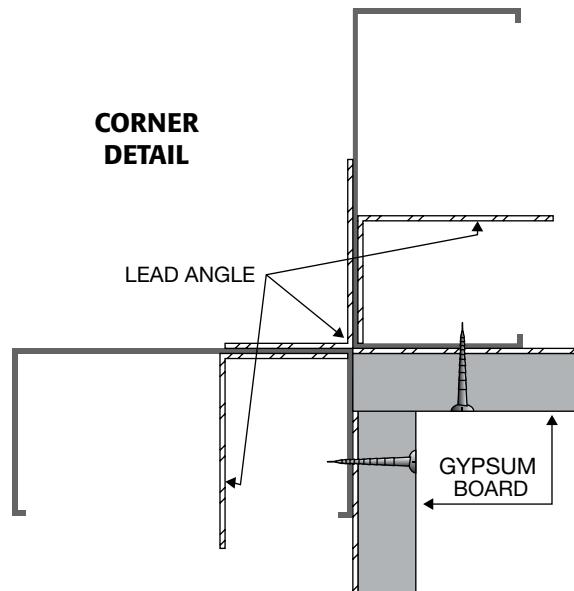
This leak-proof, Lead Angle system provides complete coverage of gamma rays...and eliminates LEAD STRIPS and DISCS for all Lead Lined Drywall and Lead Lined Plywood applications.



Our Leak-Proof Lead Angles are available in all lead requirements and all heights.

Available only at Radiation Protection Products, Inc

### CORNER DETAIL



**PATENTED**

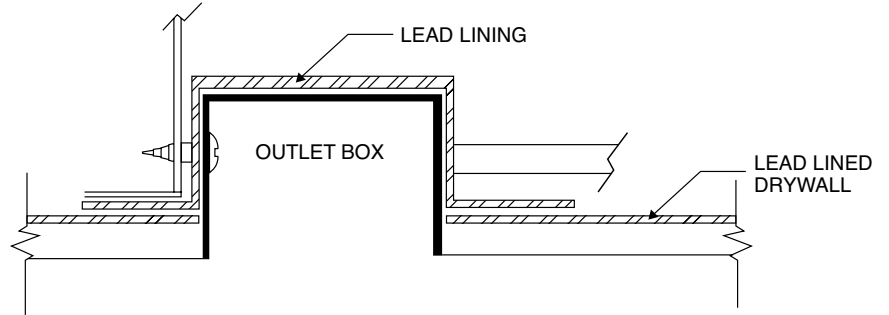


1000 Superior Boulevard, Suite 310 • Wayzata, MN 55391  
**1.888.RINGRPP** (1.888.746.4777) • TOLL FREE FAX: 1.866.554.8445  
www.radiationproducts.com

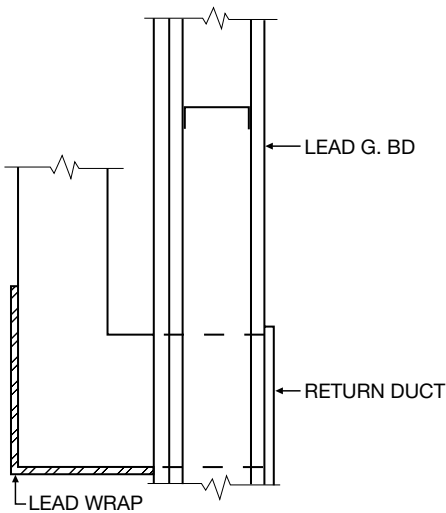
servicing the nation's lead needs for over 50 years with a full line of radiation shielding products

# RADIATION SHIELDING FOR CUT OUTS AND PENETRATIONS

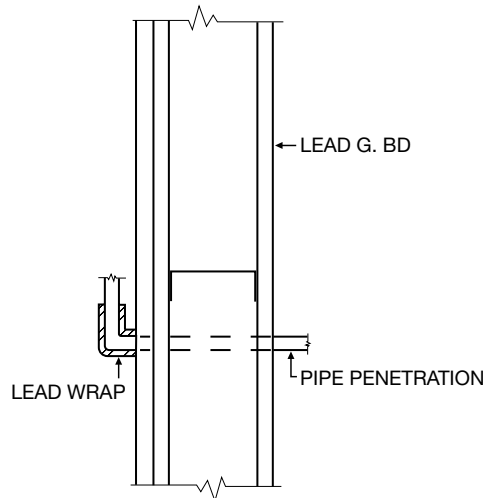
When installing lead lined drywall (lead lined sheetrock, lead lined gypsum), all cut outs and penetrations will require sheet lead to ensure continuous shielding throughout the room. Additional sheet lead can be easily allow for the proper shielding of penetrations such as receptacles, light switches, ducts and telephone/data cables



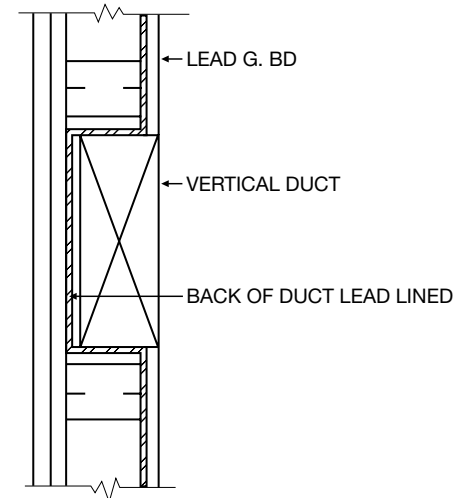
LEAD FOR OUTLET BOXES



THRU DUCT WRAP



(TYP) PIPE WRAP



WALL DUCT DETAIL



1000 Superior Boulevard, Suite 310 • Wayzata, MN 55391  
**1.888.RINGRPP** (1.888.746.4777) • TOLL FREE FAX: 1.866.554.8445  
[www.radiationproducts.com](http://www.radiationproducts.com)

servicing the nation's lead needs for over 50 years with a full line of radiation shielding products

# PURE LEAD PRODUCTS

## SHEET LEAD



Radiation Protection Products uses only the purest lead available for our Sheet Lead and Lead Bricks. Absolutely no refining takes place at our facility, making us one of the cleanest, most environmentally friendly radiation shielding providers in the industry, providing you with the highest quality sheet lead available.



If you have any questions about the Sheet Lead we can provide, please contact Radiation Protection Products.

### NOMINAL SHEET LEAD SIZES AND WEIGHTS\*

Actual Thickness	Pounds Per Sq. Ft.	App. Thickness in Inches	
		Decimal	Fraction
	1	.0156	1/64 - .5mm
	1 1/2	.0234	3/128
	2	.0312	1/32
	2 1/2	.0391	5/128 - 1.0 mm
	3	.0468	3/64
	3 1/2	.0547	7/128
	4	.0625	1/16 - 1.58mm
	5	.0781	5/64 - 2.1mm
	6	.0937	3/32 - 2.5mm
	7 1/2	.1250	1/8
	10	.1563	5/32
	12	.1875	3/16
	14	.2188	7/32
	15	.2500	1/4
	20	.3333	1/3
	24	.4000	2/5
	30	.5000	1/2
	40	.6667	2/3
	60	1.000	1

*\*The weights given apply to common lead only. Other types of lead, such as antimonial or hard lead, weigh slightly less for a given thickness.*



1000 Superior Boulevard, Suite 310 • Wayzata, MN 55391  
**1.888.RINGRPP** (1.888.746.4777) • TOLL FREE FAX: 1.866.554.8445  
[www.radiationproducts.com](http://www.radiationproducts.com)

**serving the nation's lead needs for over 50 years with a full line of radiation shielding products**