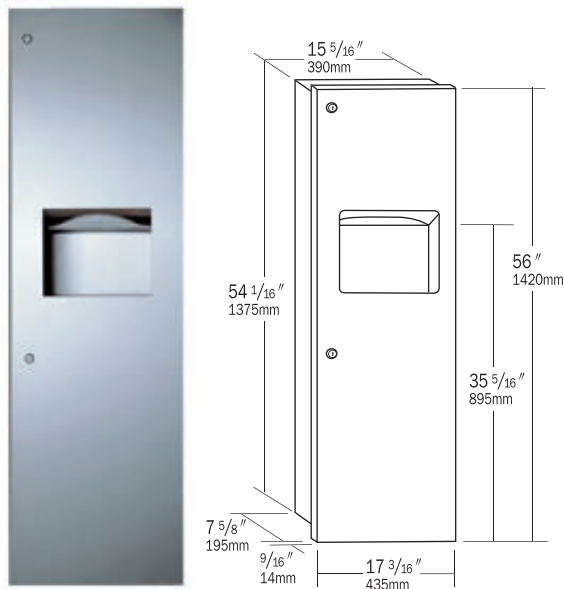


Combination Towel/Waste Units



B-39003 TrimLineSeries RECESSED PAPER TOWEL DISPENSER/WASTE RECEPTACLE

Satin-finish stainless steel. Door has 90° return, conceals flange. Dispenses 600 C-fold, 800 multifold or 1100 singlefold towels. Removable leak-proof, 12-gal. (45.5-L) waste container. Rough Wall Opening: 16" W, 54 3/4" H, 7 7/8" min. depth (405 x 1390 x 200mm). Av. Mtg. Ht.: 67-74" (1700-1880mm) to top of unit; Barrier-Free, 60 1/2" (1535mm).

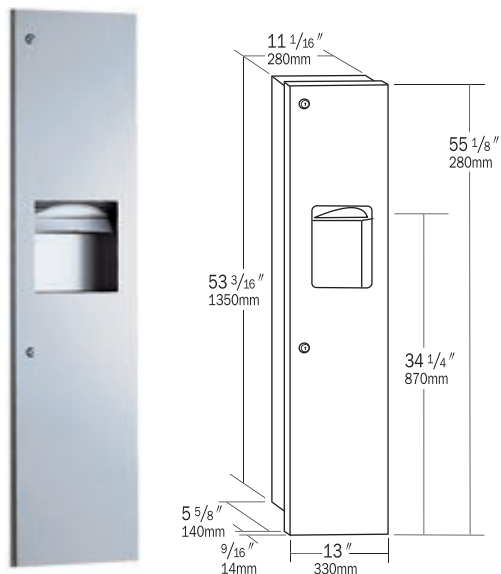
39003-130 TowelMate Accessory 



B-38032 TrimLineSeries SEMI-RECESSED PAPER TOWEL DISPENSER/WASTE RECEPTACLE

Satin-finish stainless steel. Door has 90° return, conceals flange. Skirt for 4" (100mm) walls. Dispenses 600 C-fold, 800 multifold or 1100 singlefold towels. Uncovered, removable, leak-proof, 6.3-gal. (24-L) waste container. Rough Wall Opening: 11 1/2" W, 53 5/8" H, 3 3/4" min. depth (290 x 1360 x 95mm). Av. Mtg. Ht.: 67-74" (1700-1880mm) to top of unit; Barrier-Free, 60 3/4" (1545mm).

3803-130 TowelMate Accessory 



B-3803 TrimLineSeries RECESSED PAPER TOWEL DISPENSER/WASTE RECEPTACLE

Satin-finish stainless steel. Door has 90° return, conceals flange. Dispenses 600 C-fold, 800 multifold or 1100 single-fold towels. Removable, leak-proof, 6.3-gal. (24-L) waste container. Rough Wall Opening: 11 1/2" W, 53 5/8" H, 5 3/4" min. depth (290 x 1360 x 145mm). Av. Mtg. Ht.: 67-74" (1700-1880mm) to top of unit; Barrier-Free, 60 3/4" (1545mm).

3803-130 TowelMate Accessory 

B-38034 Similar to B-3803, but requires 3 3/4" (95mm) min. depth. Waste capacity: 3.8-gal. (14.4-L). Dispenses C-fold and multifold towels.

B-380349 Similar to B-38034, but with skirt for surface mounting.



TowelMate TOWEL DISPENSER/RETAINER ACCESSORY

See page 4 for TowelMate accessory part numbers and ordering information for application in ClassicSeries, TrimLineSeries, Gamco, and similar models of other manufacturers. See pages 2 and 8 for ConturaSeries TowelMate information.



LinerMate LINER RETAINER ACCESSORY

See page 4 for LinerMate accessory part numbers and ordering information for application in ClassicSeries, Gamco, and 12-gallon waste receptacles of other manufacturers. See pages 2 and 8 for ConturaSeries LinerMate information.

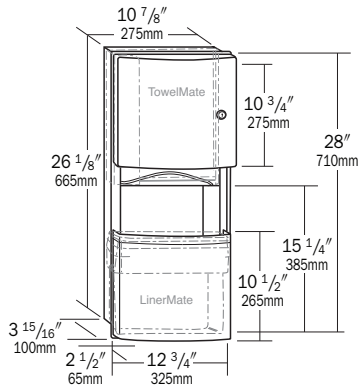
REUSABLE HEAVY-GAUGE VINYL LINERS:

PART NO.	FOR MODEL NO.
3944-12	B-277, B-3961, B-39619, B-3944, B-3942, B-3949, 367-60, B-43944, B-43949
368-16	B-39617, B-3947, 368-60
4369-22	B-4369, B-43699
2250-3	B-2250, B-2260
2270-3	B-2280
275-14	B-275
279-14	B-279
5277-12	B-527

Combination Towel/Waste Units



NEW

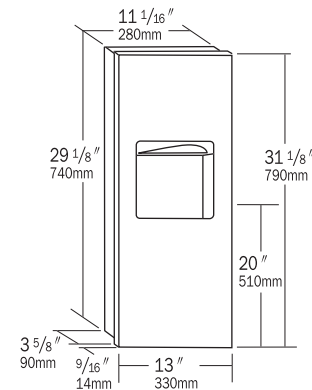


B-4369 ConturaSeries RECESSED PAPER TOWEL DISPENSER/WASTE RECEPTACLE WITH TowelMate AND LinerMate

Satin-finish stainless steel. Flush tumbler lock. Dispenses 350 C-fold or 475 multifold towels. Waste receptacle has 3.0-gal. (11.3-L) capacity; extends 2 1/2" (65mm) from wall. Removable front panel for cleaning. Wall Opening: 11 3/8" W, 26 5/8" H, 4" min. depth (290 x 675 x 100mm). Av. Mtg. Ht.: 71" (1805mm) to top of unit; Barrier-Free, 52 3/4" (1340mm).

B-43699 Similar to B-4369, but with skirt for surface mounting.

Note: See page 8 for TowelMates and LinerMates for existing units.

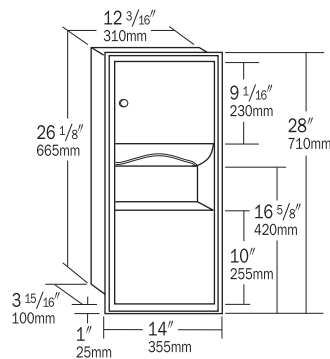


B-36903 TrimLineSeries RECESSED PAPER TOWEL DISPENSER/WASTE RECEPTACLE

Satin-finish stainless steel. Door has 90° return, conceals flange. Dispenses 300 C-fold or 400 multifold towels. Removable, leak-proof, 1.6-gal. (6.1-L) waste container. Rough Wall Opening: 11 1/2" W, 29 1/2" H, 3 3/4" min. depth (290 x 750 x 95mm). Av. Mtg. Ht.: 69" (1753mm) to top of unit; Barrier-Free, 51" (1295mm).

369-130 TowelMate Accessory

Countertop Towel Dispenser



B-369 ClassicSeries RECESSED PAPER TOWEL DISPENSER/WASTE RECEPTACLE

Satin-finish stainless steel. Seamless beveled flange. Dispenses 350 C-fold or 475 multifold towels. Knob-latch retains door. Removable waste container has 2-gal. (7.6-L) capacity. Rough Wall Opening: 12 5/8" W, 26 5/8" H, 4" min. depth (320 x 675 x 100mm). Av. Mtg. Ht.: 71" (1805mm) to top of unit; Barrier-Free, 51 1/2" (1310mm).

369-130 TowelMate Accessory

B-3699 Similar to B-369, but with stainless steel skirt for surface mounting.



B-526 TrimLineSeries COUNTERTOP MOUNTED PAPER TOWEL DISPENSER

Satin-finish stainless steel. Flange has 90° return. Towels load into top of dispenser. Dispenses 300 C-fold or multifold towels. Unit 12 3/4" W, 6" front to back depth (325 x 150mm); 17" (430mm) min. clearance below mounting surface is required. Rough Countertop Cutout: 12 1/4" W (310mm), 4 1/2" front to back depth (115mm), 3/4" to 1 1/2" (19 to 38mm) mounting thickness. Housing below countertop to conceal dispenser is not included. Barrier-free countertop must not exceed 34" (865mm) height, and have a clearance of at least 29" (735mm) from the bottom of the apron to the finish floor.