

# CALRAD

## 10 Series - Shotgun Microphones

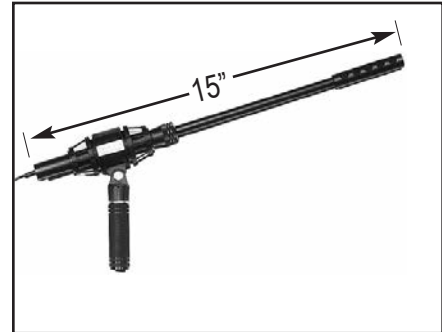
### 10-10

#### SUPER CARDIOID SHOTGUN MIC

Super directive use. Can pick up objective sound clearly even in noisy environments. Shakeproof holder acts as a vibration damping mechanism and helps eliminate unwanted mechanical and motor noises. Impedance 600Ω (1 KHz). Complete with Case and Windscreen, 3.5 mm plug.

#### Specifications:

Type.....	Electret Condenser Microphone	Frequency Range.....	50 Hz-10 KHz
Directivity.....	Super Directional	Std. Working Voltage.....	1.5V (DC)
Sensitivity.....	-60 db (1 KHz 0 dB = 1V/u Bar)	Current Drain.....	1 mA Max
Output Impedance.....	600Ω (1 KHz)	S/N Ratio.....	40 dB or more (1 KHz, JISA-curve)
Battery type Size	"AA" Penlite Cell 1.5Vdc (included)	Color.....	Black



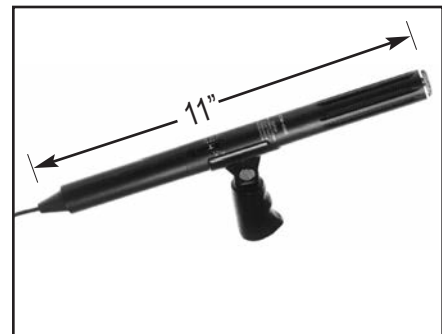
### 10-15A

#### SUPER CARDIOID SHOTGUN MIC

This microphone is for Super-Directive use with high sensitivity and extremely low noise. It can pick up clearly and naturally the object's sound even in noisy environment of both short and long distance. The 10-15 microphone is designed primarily for operational efficiency and well suited to outdoor sports broadcast, stage, video and movies. Can be hand held, stand mounted or mounted on video or movie equipment. Terminated to a 3.5mm plug.

#### Specifications:

Type.....	Super Cardioid Electret Condenser	Output Impedance.....	For short distance: 520Ω
System	Switchable uni-directional system for long and short distance		For long distance: 2.3KΩ
Sensitivity: For short distance:	-66 dB (1 V/u bar 1 KHz)	Sound Pressure Level.....	120 dB Max
For long distance:	-56 dB (1 V/u bar 1 KHz)	Signal to Noise Ratio.....	40 dB or More
Frequency Response:	80 Hz-12,000 Hz	Cable.....	coiled with 3.5 mm plug
Power Source	1.5Vdc, AA Size Battery (not included)	Accessories.....	Wind Screen and Mic Holder
		Color.....	Black



### 10-91

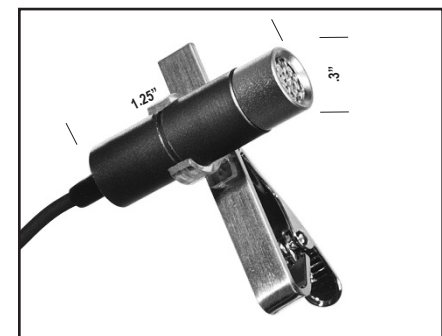
#### MINIATURE TIE CLASP MICROPHONE

Extra small, only 3/8" diameter. Excellent voice quality makes this lavalier microphone very versatile. Great for interviews, P.A., radio and T.V. network use, where free use of hands is necessary. Complete with battery, windscreen, tie clip, terminated to a 3.5 mm plug. 10 ft. cord.

#### Specifications:

Type	Electret Condenser Microphone	Impedance.....	600Ω at 1 KHz
Frequency Response.....	50 Hz-10 KHz	Package.....	B blister (Hanger Type)
Sensitivity.....	-60 dB ± 3 dB	Power Supply.....	1.5V Button Cell (included) LR41
Length.....	1 1/4"	Polar Pattern.....	Omni-Directional

10-91-BAT replacement battery for 10-91 microphone



### 10-90

#### MICROPHONE

Excellent voice quality makes this lavalier microphone very versatile. Great for interviews, P.A., radio and T.V. network use, where free use of hands is necessary. Complete with battery, windscreen, tie clip, terminated to a 1/4" mono plug.

#### Specifications:

Polar Pattern.....	Omni-Directional	Impedance.....	600Ω at 1 KHz
Frequency Response.....	50-64 dB / 50-16,000 Hz	Power Supply.....	1.5V LR-44 A-type / 1.5V
Sensitivity.....	-64 dB / 01 KHz	Cable with 1/4" mono plug.....	6m (20 feet)
Sound Noise Level.....	Max. 130 dB		

10-90-BAT replacement battery for 10-90 microphone.

