

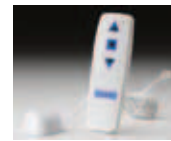
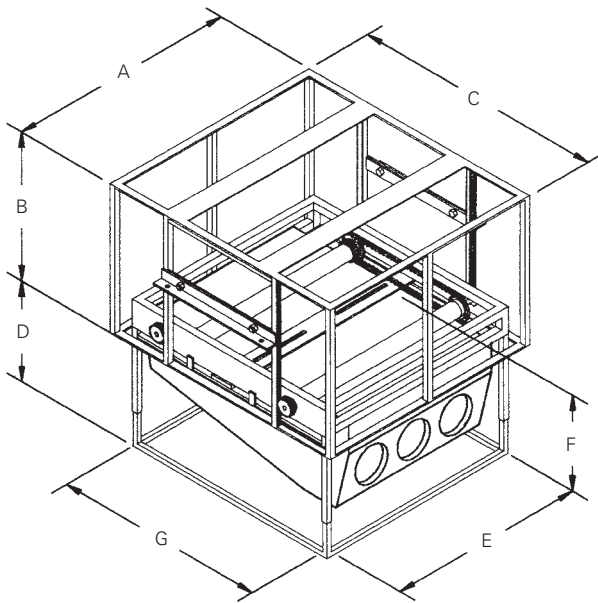
DA-LIFT

Electric Ceiling Lift for Video Projectors

- Heavy-duty, all metal construction with rack and pinion chain drive lift mechanism for quiet operation.
- Bottom of lift is adjustable for flush installation and can be finished to match ceiling.
- Optional plenum kit available where needed.
- Da-Lift 10M and 15M are designed to fit into a 2' x 2' ceiling grid.



Model	Load Capacity		Width "A"		Height "B"		Depth "C"		Travel "D"		Width "E"		Height "F"		Depth "G"	
	lbs.	kg	in.	cm	in.	cm	in.	cm	in.	cm	in.	cm	in.	cm	in.	cm
Da-Lift 10M	40	18	22 ^{5/8} "	58	15"	38	22"	56	10"	25	10"-17"	25-43	17 ^{1/2} "	45	40	18
Da-Lift 15M	40	18	22 ^{5/8} "	58	20"	51	22"	56	15"	38	15"-22"	38-56	17 ^{1/2} "	45	40	18
Da-Lift 15	300	136	30 ^{3/4} "	78	20"	51	34"	86	15"	38	15"-22"	38-56	28 ^{1/2} "	72	300	136
Da-Lift 19	300	136	32 ^{3/4} "	83	24"	61	38"	97	19"	48	19"-30"	48-76	32 ^{1/2} "	82	300	136
Da-Lift 19L	300	136	42 ^{3/4} "	109	24"	61	48"	122	19"	48	19"-30"	48-76	42 ^{1/2} "	108	300	136



For optional remote control operation, see options on pages 39-40.