

MTH PUMPS

# M50 • L50 Series - 50Hz Metric Edition Multistage Regenerative Turbine Pumps

- Capacities to 130 LPM
- Heads to 600 Meters
- Single or Multi-stage Units (up to 5 stages)
- Vertical Close Coupled
- Horizontal Close Coupled
- Horizontal Flexible Coupled



M50 • L50 SERIES PUMPS



**MTH PUMPS**

401 West Main Street • Plano, IL 60545-1436  
Phone: 630-552-4115 • Fax: 630-552-3688  
Email: SALES@MTHPUMPS.COM  
<http://WWW.MTHPUMPS.COM>

MTH PUMPS

# M50 • L50 Series - 50Hz Metric Edition Multistage Regenerative Turbine Pumps

Vertical base mount and horizontal pedestal mounted multi-stage regenerative turbine pumps represent the most economical high performance alternative for low flow (2 to 38 GPM) applications involving moderate to high pressures (heads to 2300 feet).

By combining the latest concepts in hydraulic turbine pump design with precision computer controlled manufacturing, M50 Series pumps deliver high efficiency operation even at low NPSH. Costs are controlled by efficient manufacturing processes, use of standard motors, and highly optimized pump designs. Maintenance costs are kept to a minimum by combining an easily serviceable design with the use of high quality components to provide long life.

**Water Passage Design**

MTH masters one of the most critical design considerations of regenerative turbine pumps - the shaping of water passageways to achieve maximum capacity and pressure while minimizing horsepower requirements. By optimizing water passageway cross-sectional profiles for each impeller, MTH improves both efficiency and pressure in the M50 Series, and exceeds the standards realized by previous techniques.

**Impeller Profile**

One of the most notable improvements in regenerative turbine pump technology, incorporated in M50 Series pumps, involves the ability to determine the optimum impeller width and blade length. These factors have a significant effect on the required horsepower versus pressure curve for regenerative turbine pumps. By optimizing these for each pump, peak efficiency is improved and “off peak” horsepower requirements are reduced as well.

**Impeller Blades**

After the most favorable impeller profile has been determined for a particular water passageway cross-section, MTH calculates the number of blades needed to maximize the performance of that pump. The blade design in M50 Series pumps increases both efficiency and design pressure without incurring the manufacturing difficulties associated with producing contoured blade impellers. State-of-the-art computer controlled machines simplify manufacturing of the various MTH impellers utilized in the M50 Series. The result is a high performance pump providing efficiency characteristics exceeding those of much more expensive units.

**NPSH Requirements**

M50 Series regenerative turbine pumps meet low net positive suction head (NPSH) requirements without efficiency loss. This is achieved by keeping the inlet fluid velocity low and then gently accelerating to passageway velocities. Special ramps are responsible for this gentle fluid entry into the impeller blades and account for the high inlet efficiency of the M50 Series pumps.

**Low NPSH Requirements**

L50 Series regenerative turbine pumps have exceptionally low NPSH requirements, making them ideally suited for applications where very little inlet head is available.

This reduced NPSHR provided by the L50 Series is obtained by using a first stage centrifugal style impeller with inlet flow paths shaped to maintain a constant fluid velocity. This reduces entry losses to the impeller as well as maintaining efficiency. A multi-vane diffuser is used in conjunction with the centrifugal impeller for balancing radial loads and extracting the maximum pressure from the first stage. Pressure and flow produced by the NPSH inducer assures that the succeeding stages are adequately fed.

**STANDARD MATERIALS**

PART	BRONZE FITTED	ALL IRON	ALL BRONZE	STAINLESS STEEL
Inlet Cover	Cast Iron ASTM A48	Cast Iron ASTM A48	Bronze ASTM B62	Stainless Steel AISI 316
Outlet Cover	Cast Iron ASTM A48	Cast Iron ASTM A48	Bronze ASTM B62	Stainless Steel AISI 316
Impeller	Bronze ASTM B62	Carbon Steel 12L14	Bronze ASTM B62	W88 ASTM A494
Shaft	Stainless Steel AISI 416	Stainless Steel AISI 416	Stainless Steel AISI 316	Stainless Steel AISI 316
“O” Rings	Buna N	Buna N	Buna N	Viton A
Seals	Buna/Ceramic	Buna/Ni-Resist	Buna/Ceramic	Viton/Ceramic

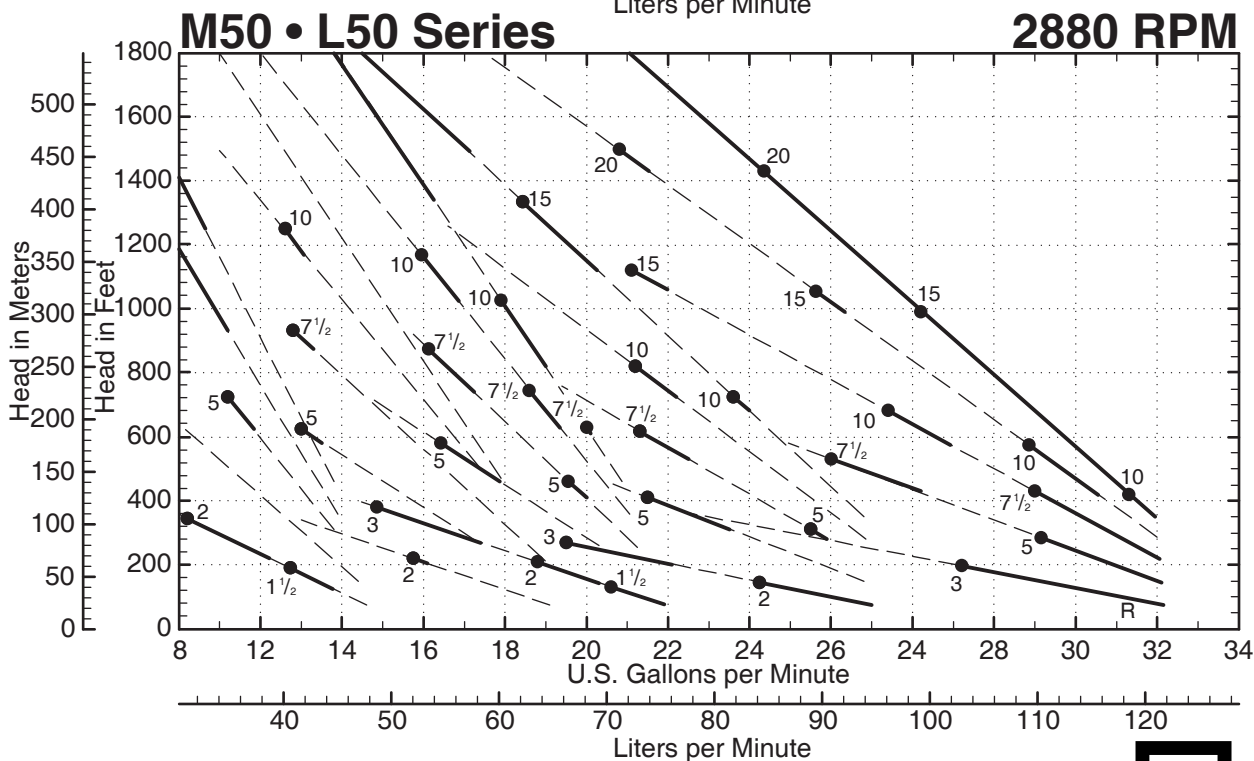
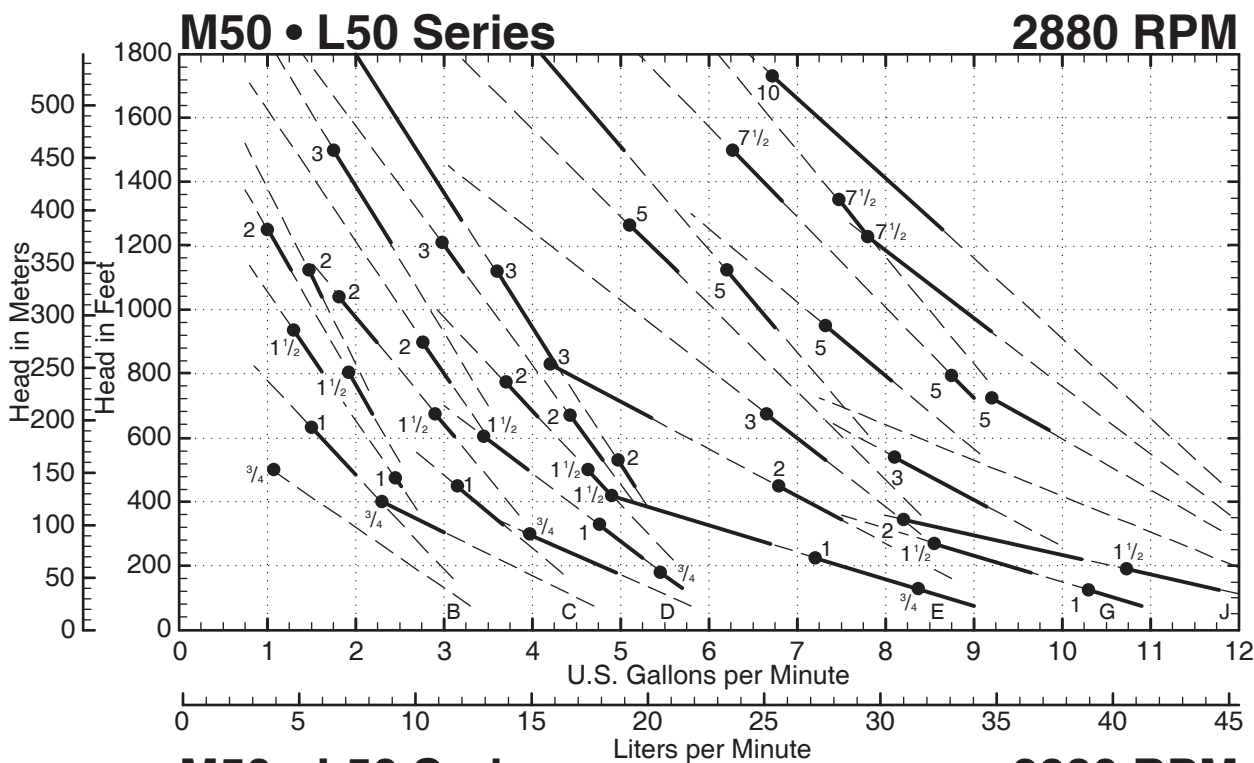
**LIMITATIONS**

Discharge Pressure	70 bar
Seal Pressure*	13.8 bar
Suction Pressure (Min.)	660mm Hg Vac.
Speed	3600 RPM
<b>Temperature</b>	
Standard Construction	-29°C
Ceramic Seal Seat - Water	110°C
Silicon Carbide Seal Seat & External Seal Flush	121°C
<b>Horsepower</b>	
C3 - P3	1/3 to 3 HP
C30 - P30	5 to 30 HP

\*Suction Pressure Plus a Percentage of Differential Pressure

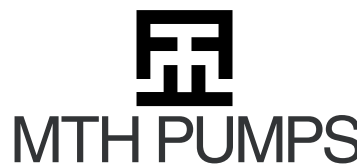
M50 • L50 SERIES

# Performance Curves



**NOTES**

- Indicates Motor Horsepower Rating for Standard MTH Motors
  - Most Efficient Range
  - - - Acceptable Operating Range
- Horsepower data is valid for 1.0 specific gravity fluids only



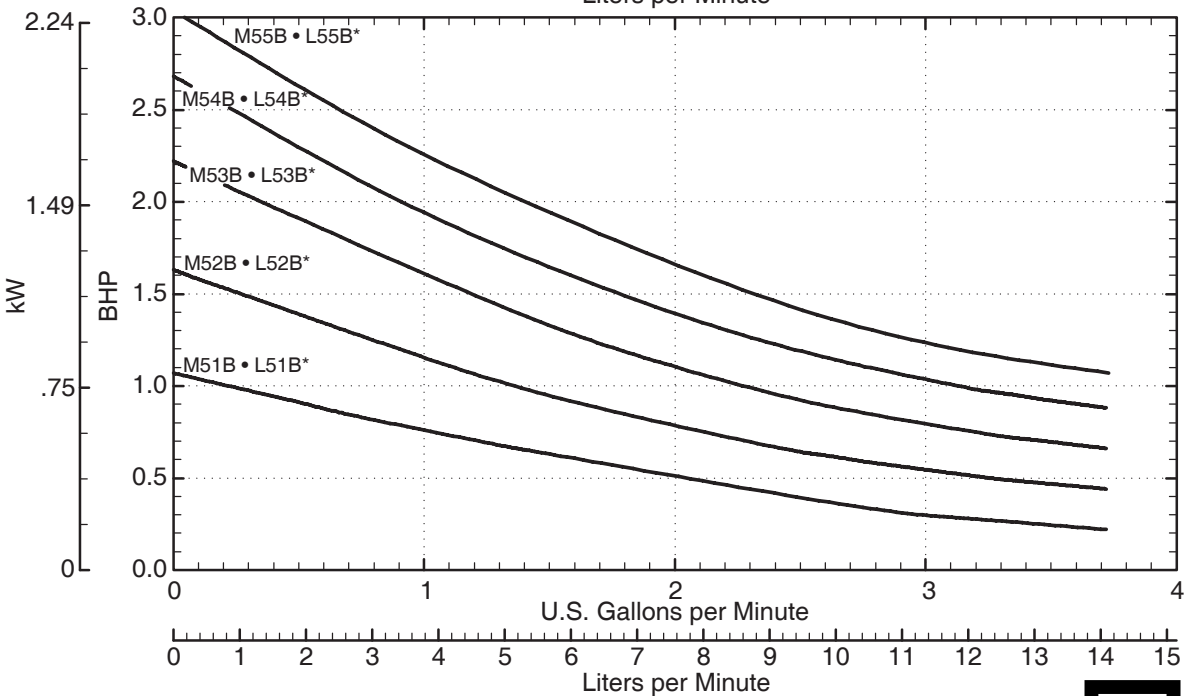
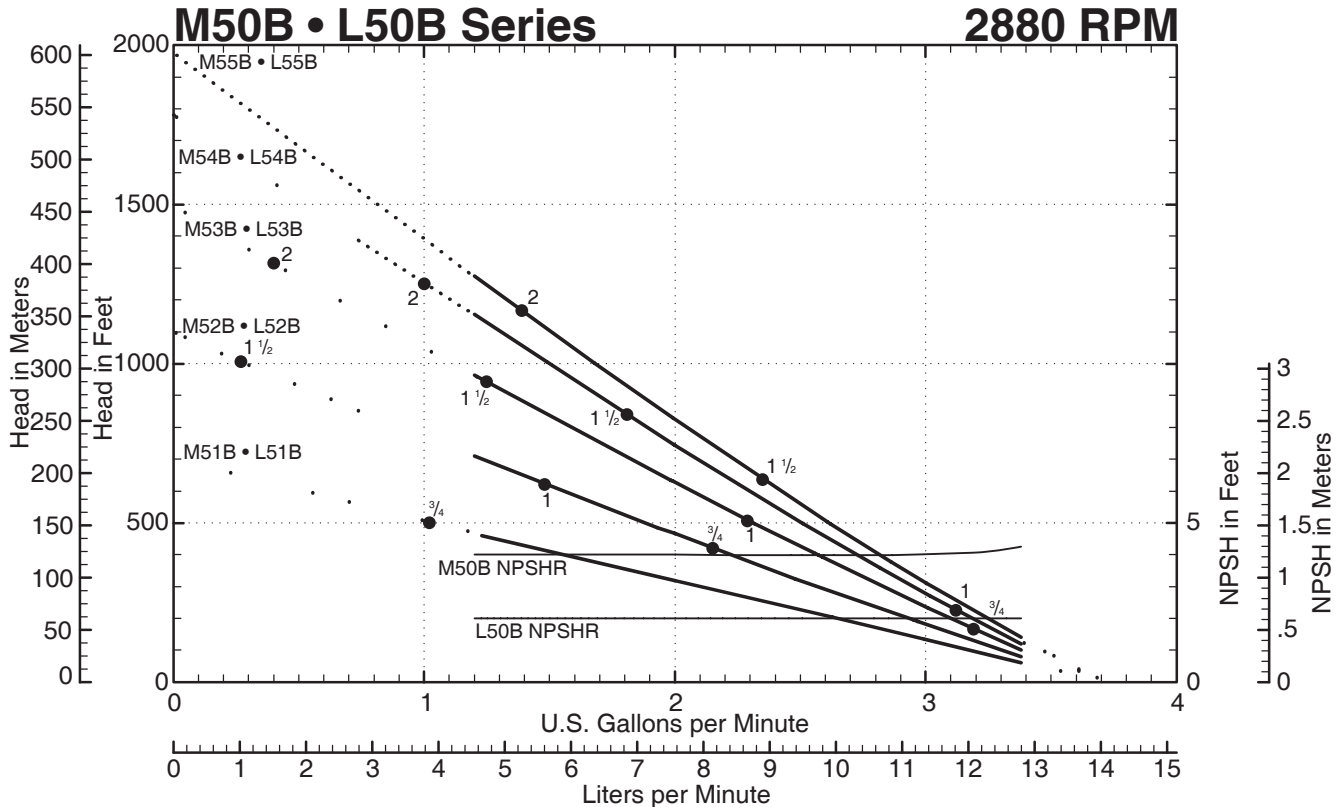
401 West Main Street • Plano, IL 60545-1436  
 Phone: 630-552-4115 • Fax: 630-552-3688  
 Email: SALES@MTHPUMPS.COM  
 http://WWW.MTHPUMPS.COM

M50 • L50 SERIES PUMPS

M50 • L50 SERIES

# Performance Curves

M50 • L50 SERIES PUMPS



**NOTES**

- Indicates Motor Horsepower Rating for Standard MTH Motors
- Recommended Operating Range
- ..... Refer to Factory for Operation in this Range
- \*Add .26 horsepower for L50B Inducer Models
- Horsepower data is valid for 1.0 specific gravity fluids only

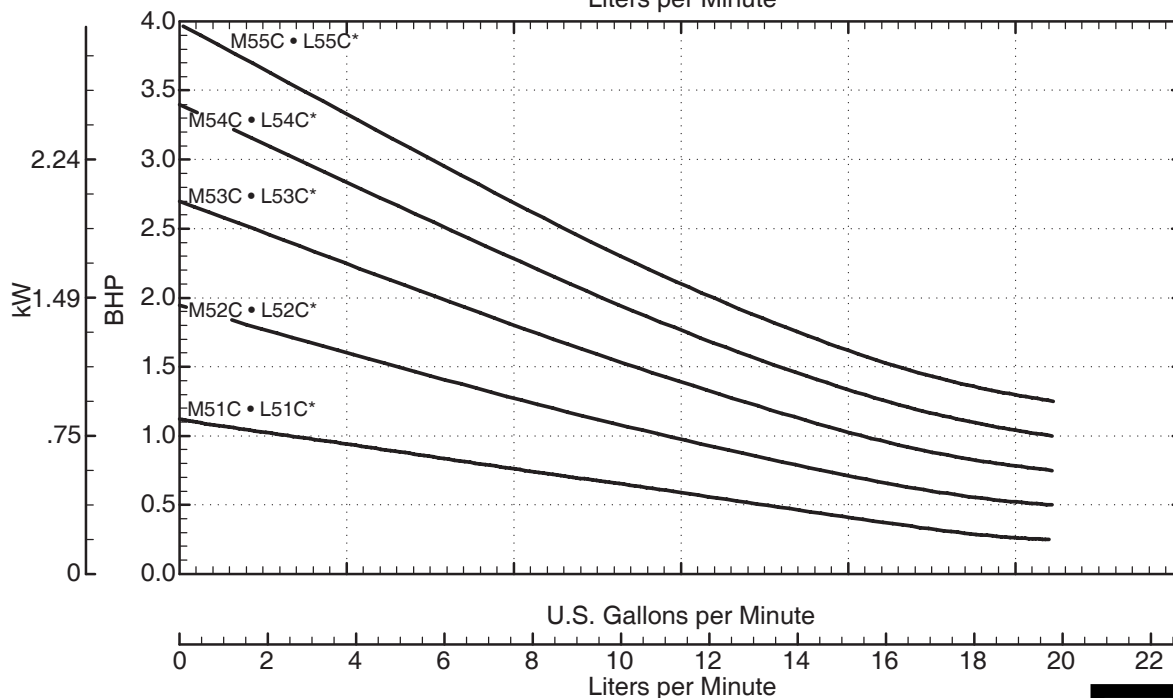
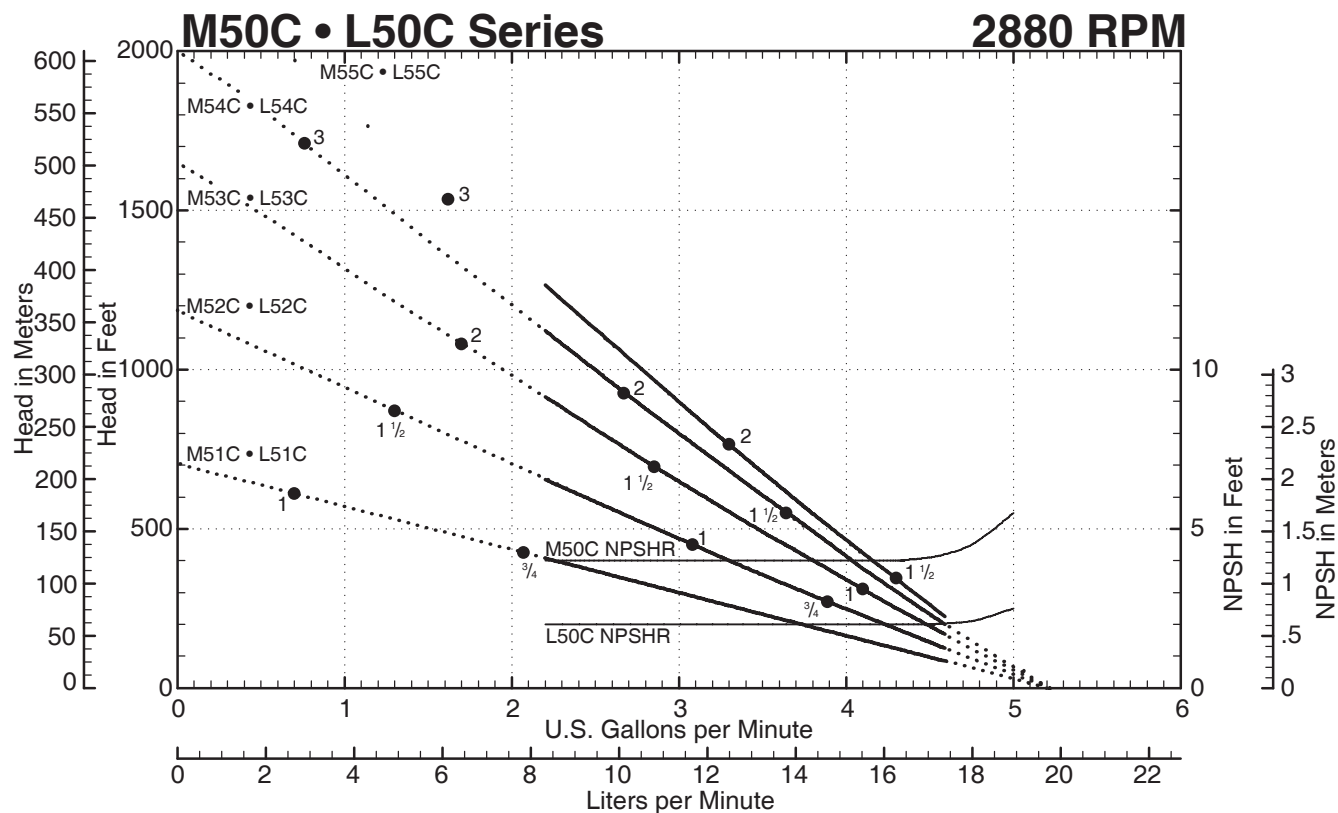


**MTH PUMPS**

401 West Main Street • Plano, IL 60545-1436  
 Phone: 630-552-4115 • Fax: 630-552-3688  
 Email: SALES@MTHPUMPS.COM  
 http://WWW.MTHPUMPS.COM

M50 • L50 SERIES

# Performance Curves



**NOTES**

- Indicates Motor Horsepower Rating for Standard MTH Motors
- Recommended Operating Range
- ..... Refer to Factory for Operation in this Range
- \*Add .27 horsepower for L50C Inducer Models
- Horsepower data is valid for 1.0 specific gravity fluids only



**MTH PUMPS**

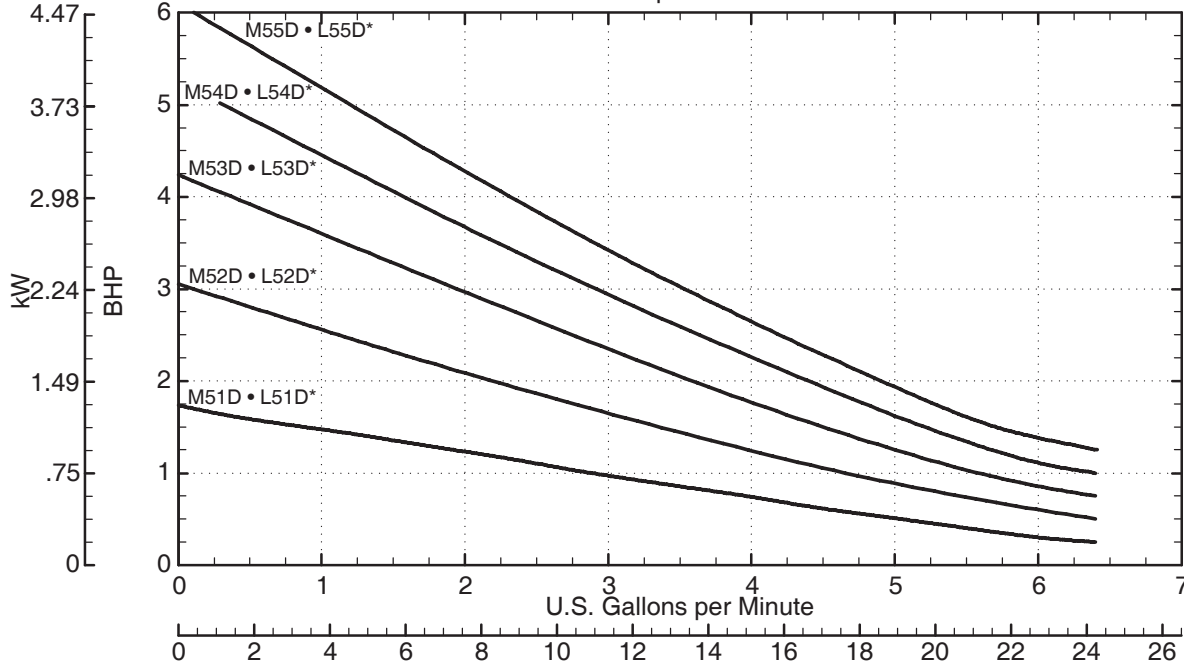
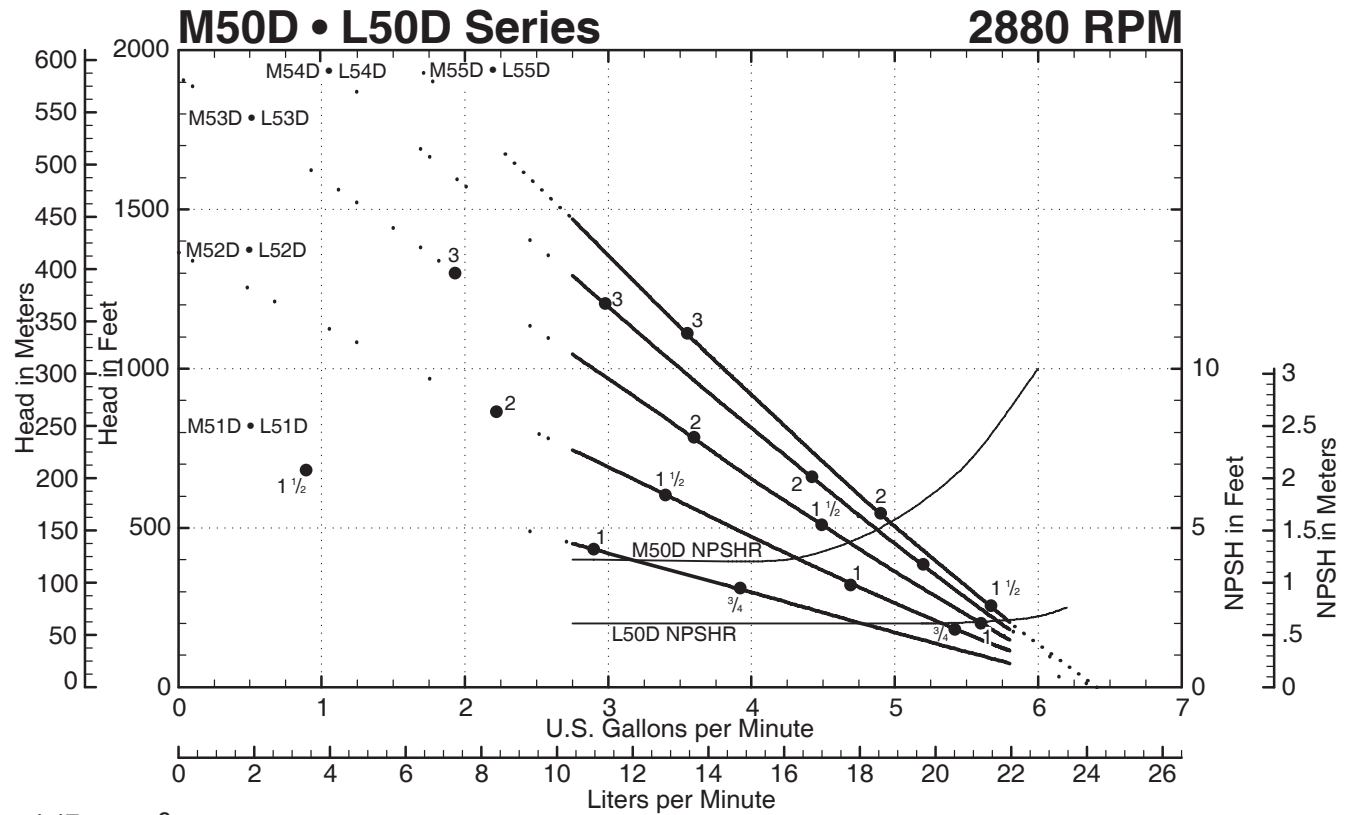
401 West Main Street • Plano, IL 60545-1436  
 Phone: 630-552-4115 • Fax: 630-552-3688  
 Email: SALES@MTHPUMPS.COM  
 http://WWW.MTHPUMPS.COM

**M50 • L50 SERIES PUMPS**

M50 • L50 SERIES

# Performance Curves

M50 • L50 SERIES PUMPS



**NOTES**

- Indicates Motor Horsepower Rating for Standard MTH Motors
- Recommended Operating Range
- ..... Refer to Factory for Operation in this Range
- \*Add .29 horsepower for L50D Inducer Models
- Horsepower data is valid for 1.0 specific gravity fluids only

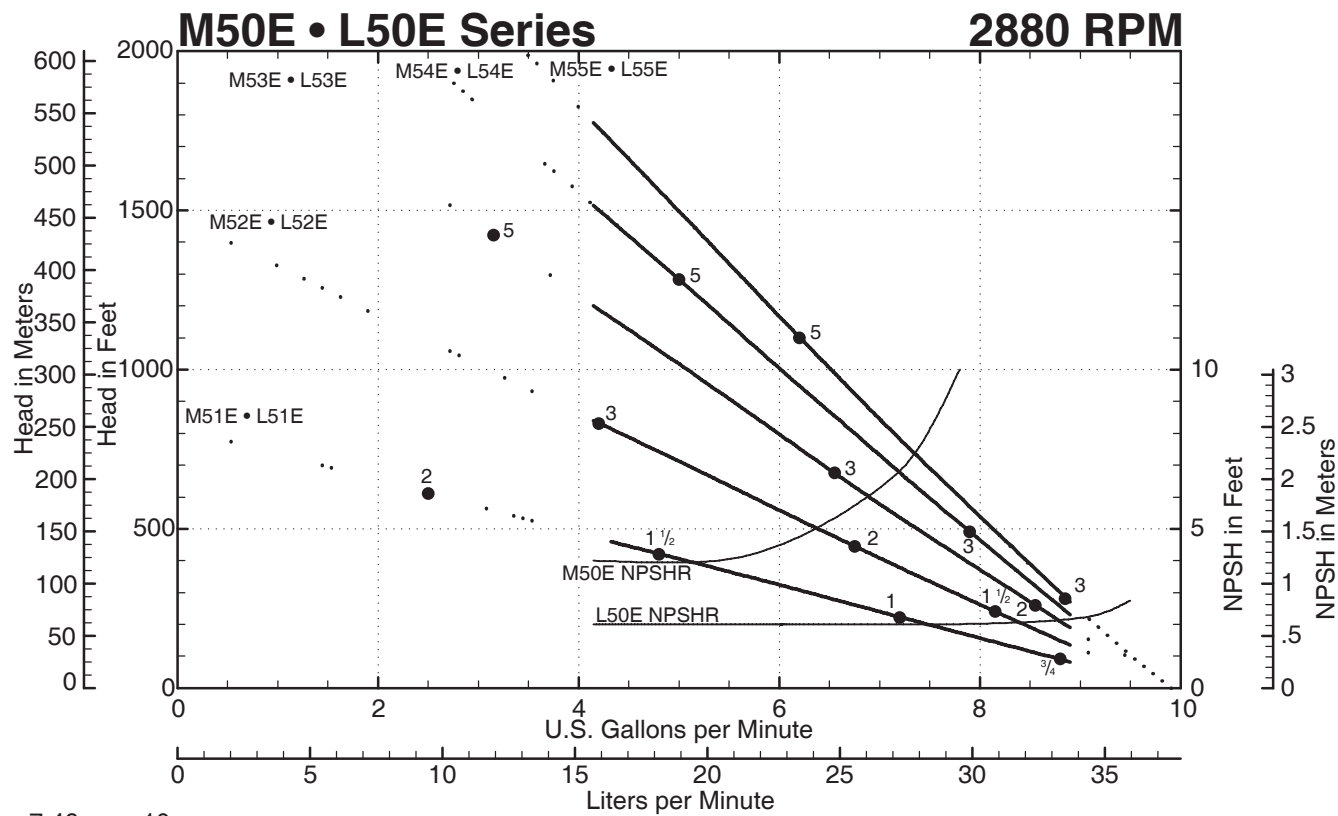


**MTH PUMPS**

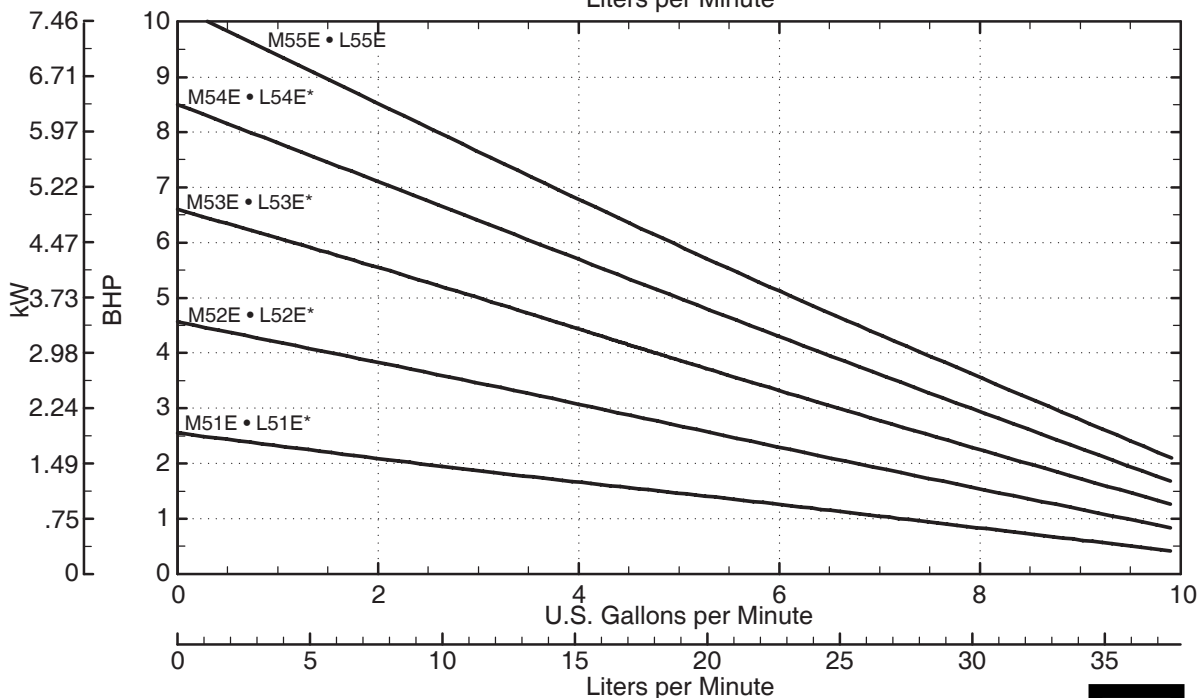
401 West Main Street • Plano, IL 60545-1436  
 Phone: 630-552-4115 • Fax: 630-552-3688  
 Email: SALES@MTHPUMPS.COM  
 http://WWW.MTHPUMPS.COM

M50 • L50 SERIES

# Performance Curves



M50 • L50 SERIES PUMPS



**NOTES**

- Indicates Motor Horsepower Rating for Standard MTH Motors
- Recommended Operating Range
- ..... Refer to Factory for Operation in this Range
- \*Add .33 horsepower for L50E Inducer Models
- Horsepower data is valid for 1.0 specific gravity fluids only

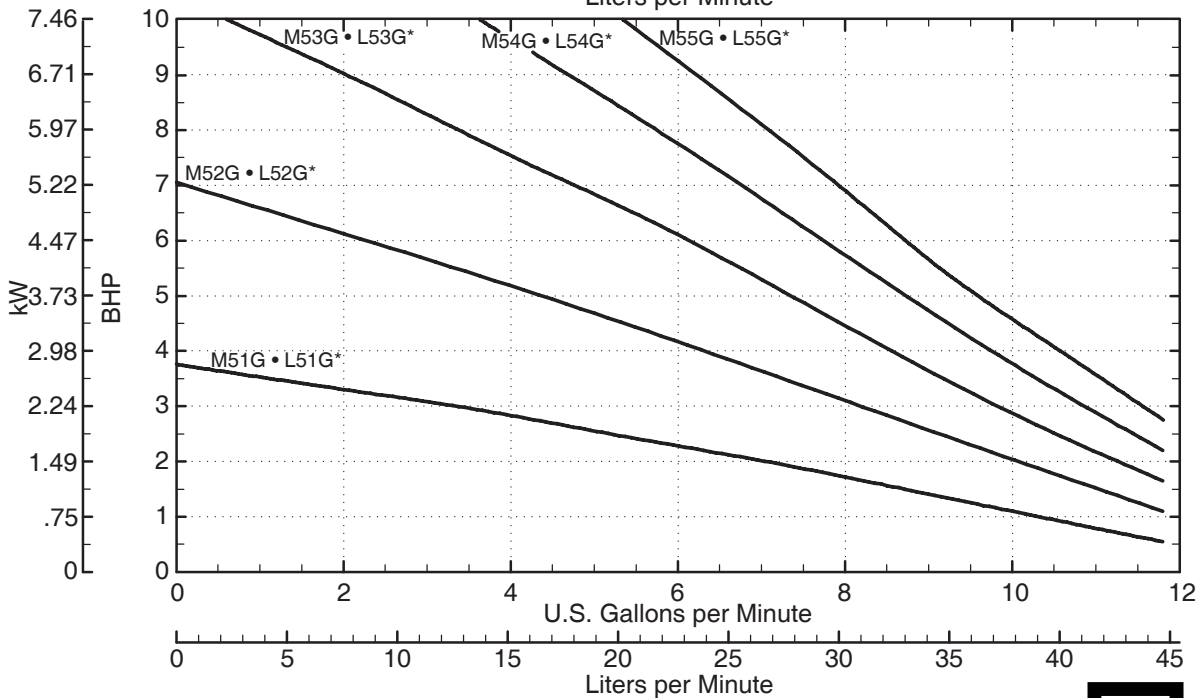
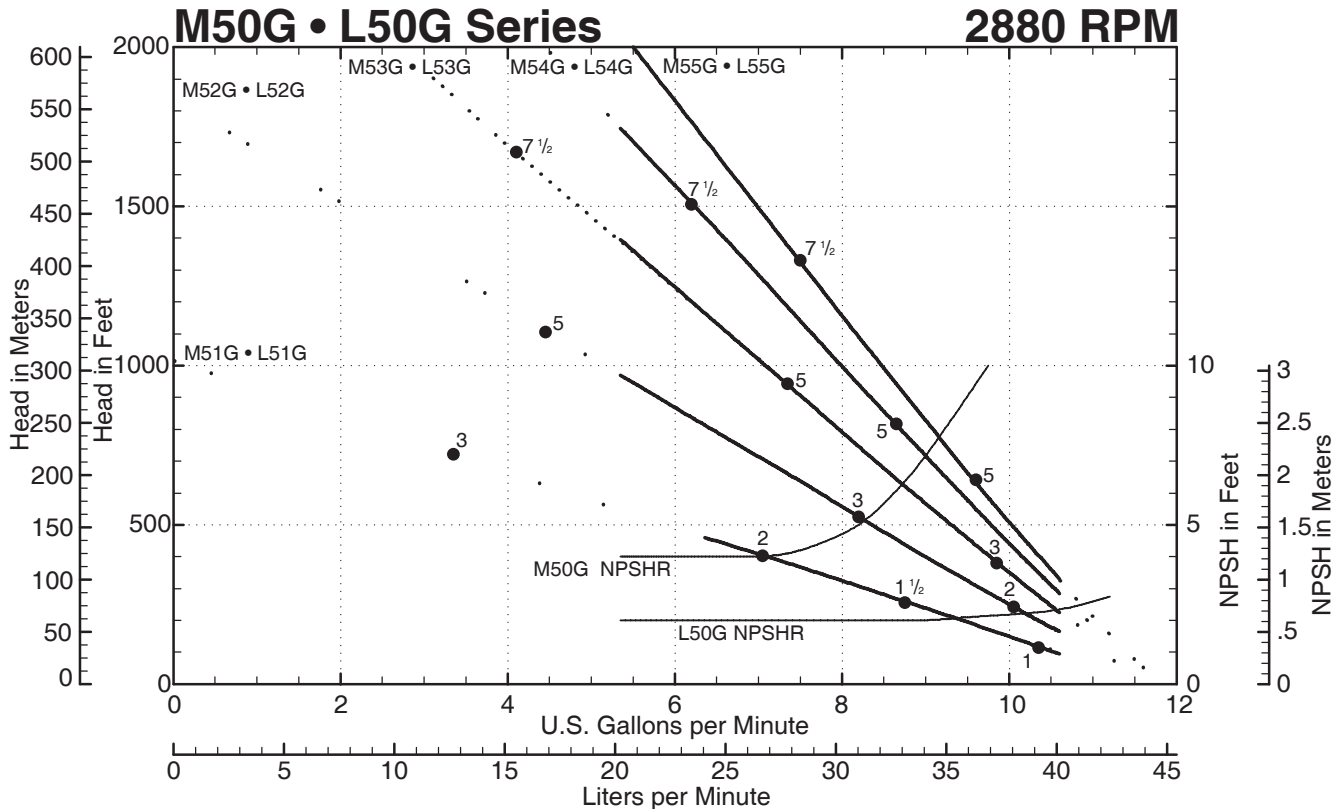


**MTH PUMPS**

401 West Main Street • Plano, IL 60545-1436  
 Phone: 630-552-4115 • Fax: 630-552-3688  
 Email: SALES@MTHPUMPS.COM  
 http://WWW.MTHPUMPS.COM

# Performance Curves

M50 • L50 SERIES PUMPS



**NOTES**

- Indicates Motor Horsepower Rating for Standard MTH Motors
- Recommended Operating Range
- ..... Refer to Factory for Operation in this Range
- \*Add .35 horsepower for L50G Inducer Models
- Horsepower data is valid for 1.0 specific gravity fluids only



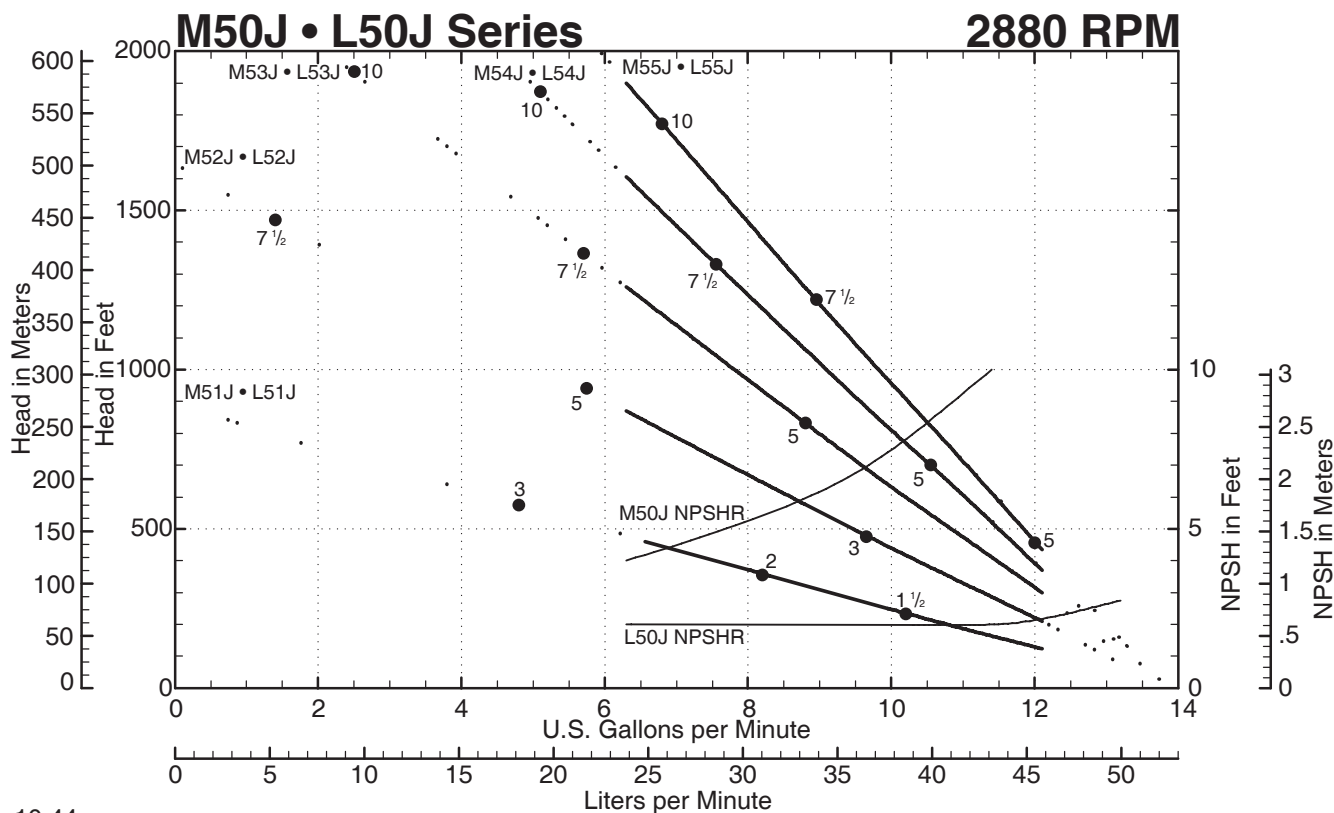
**MTH PUMPS**

401 West Main Street • Plano, IL 60545-1436  
 Phone: 630-552-4115 • Fax: 630-552-3688  
 Email: SALES@MTHPUMPS.COM  
 http://WWW.MTHPUMPS.COM

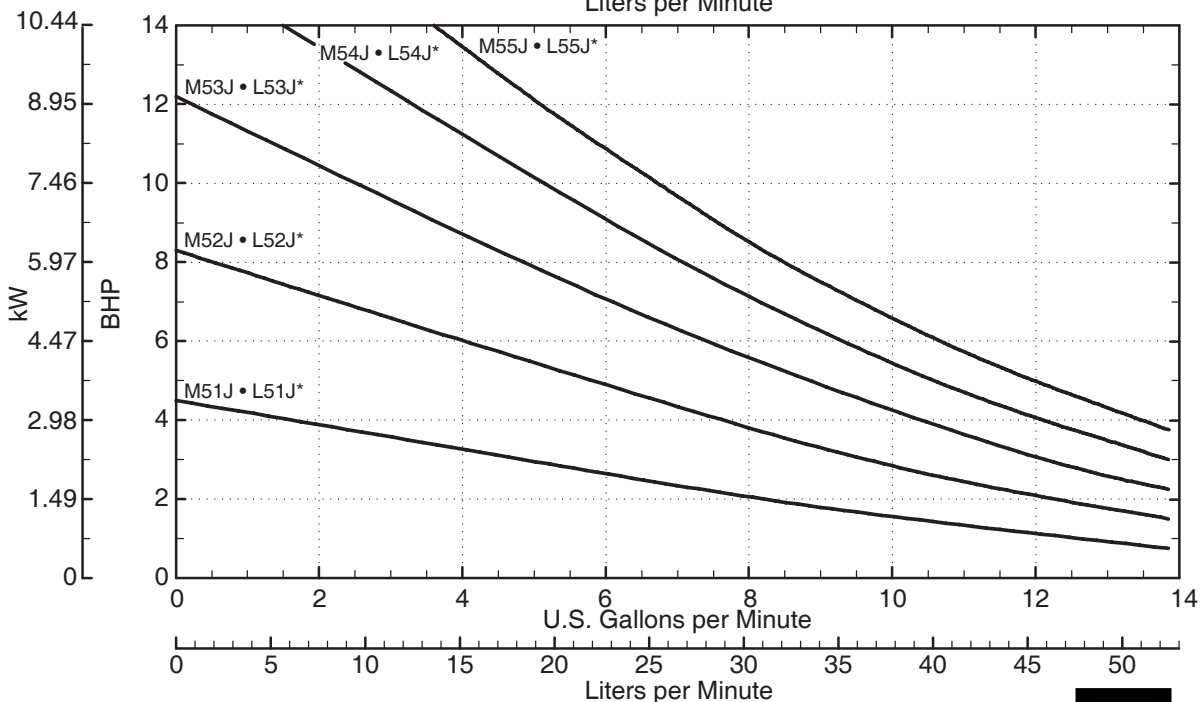


M50 • L50 SERIES

# Performance Curves



**M50 • L50 SERIES PUMPS**



**NOTES**

- Indicates Motor Horsepower Rating for Standard MTH Motors
- Recommended Operating Range
- ..... Refer to Factory for Operation in this Range
- \*Add .38 horsepower for L50J Inducer Models
- Horsepower data is valid for 1.0 specific gravity fluids only



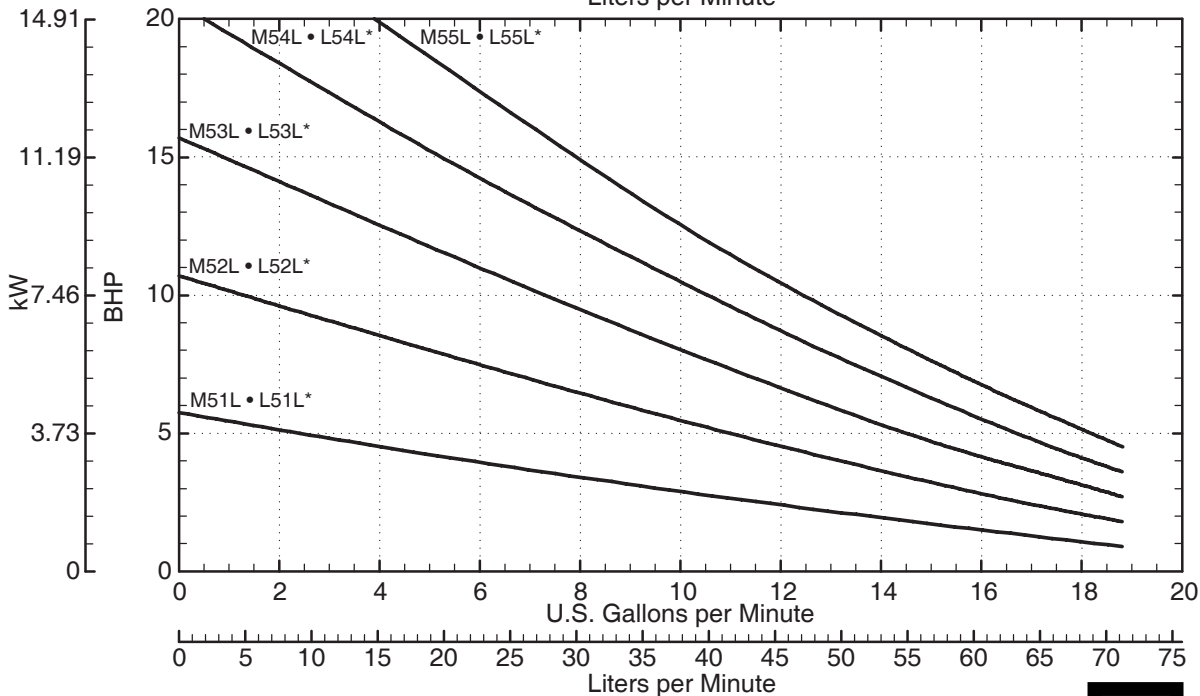
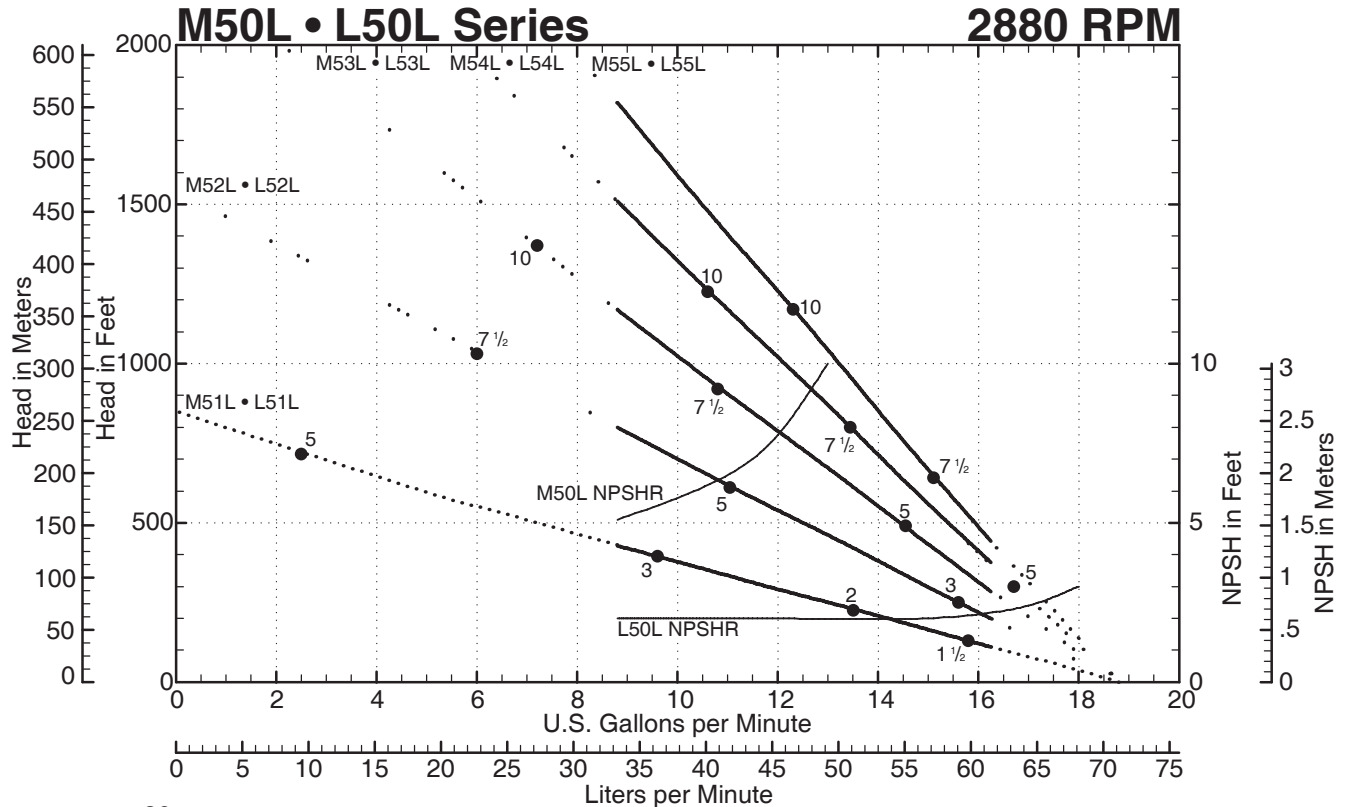
**MTH PUMPS**

401 West Main Street • Plano, IL 60545-1436  
 Phone: 630-552-4115 • Fax: 630-552-3688  
 Email: SALES@MTHPUMPS.COM  
 http://WWW.MTHPUMPS.COM

M50 • L50 SERIES

# Performance Curves

M50 • L50 SERIES PUMPS



**NOTES**

- Indicates Motor Horsepower Rating for Standard MTH Motors
- Recommended Operating Range
- ..... Refer to Factory for Operation in this Range
- \*Add .43 horsepower for L50L Inducer Models
- Horsepower data is valid for 1.0 specific gravity fluids only



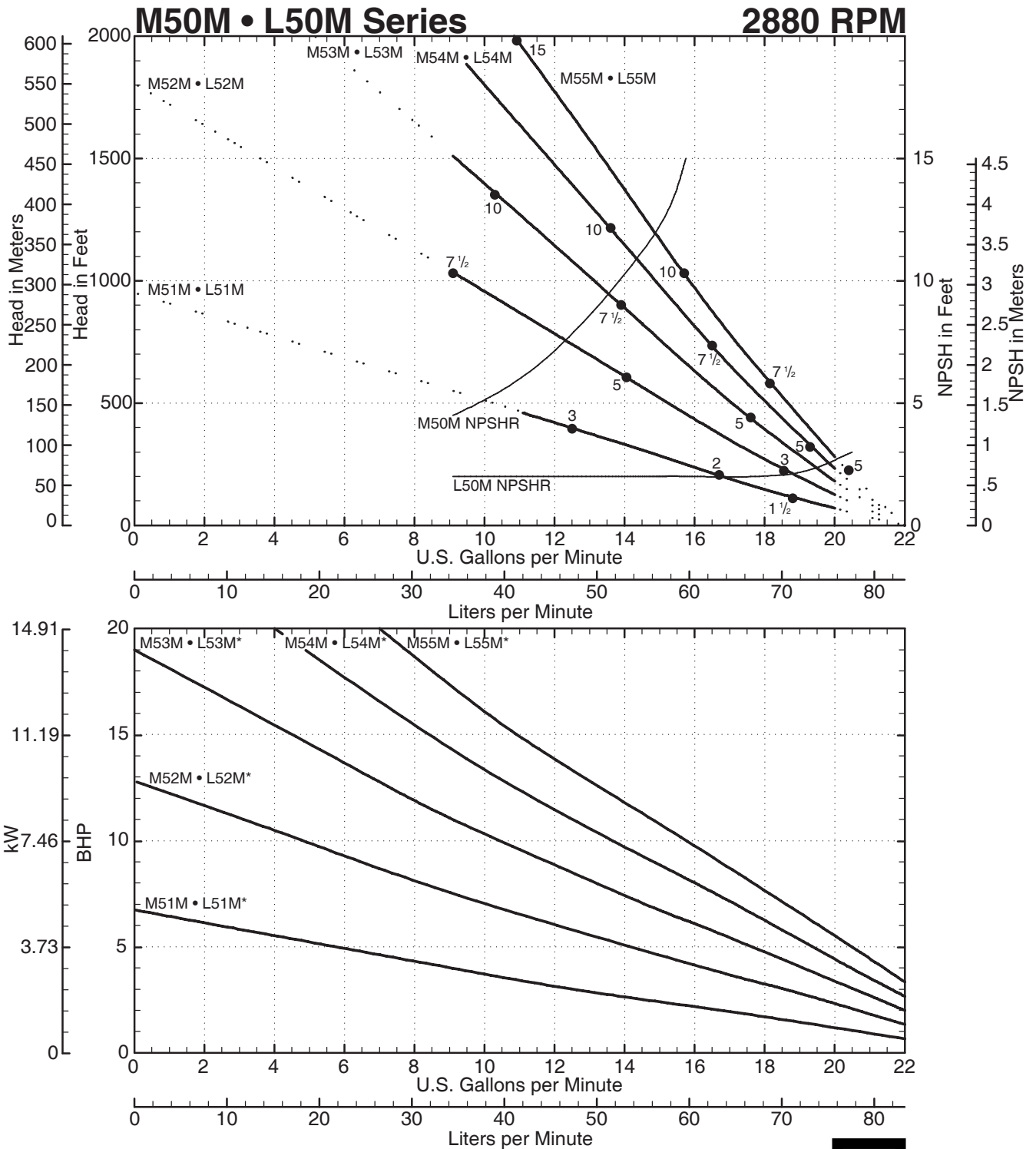
**MTH PUMPS**

401 West Main Street • Plano, IL 60545-1436  
 Phone: 630-552-4115 • Fax: 630-552-3688  
 Email: SALES@MTHPUMPS.COM  
 http://WWW.MTHPUMPS.COM

M50 • L50 SERIES

# Performance Curves

M50 • L50 SERIES PUMPS



**NOTES**

- Indicates Motor Horsepower Rating for Standard MTH Motors
- Recommended Operating Range
- ..... Refer to Factory for Operation in this Range
- \*Add .46 horsepower for L50M Inducer Models
- Horsepower data is valid for 1.0 specific gravity fluids only



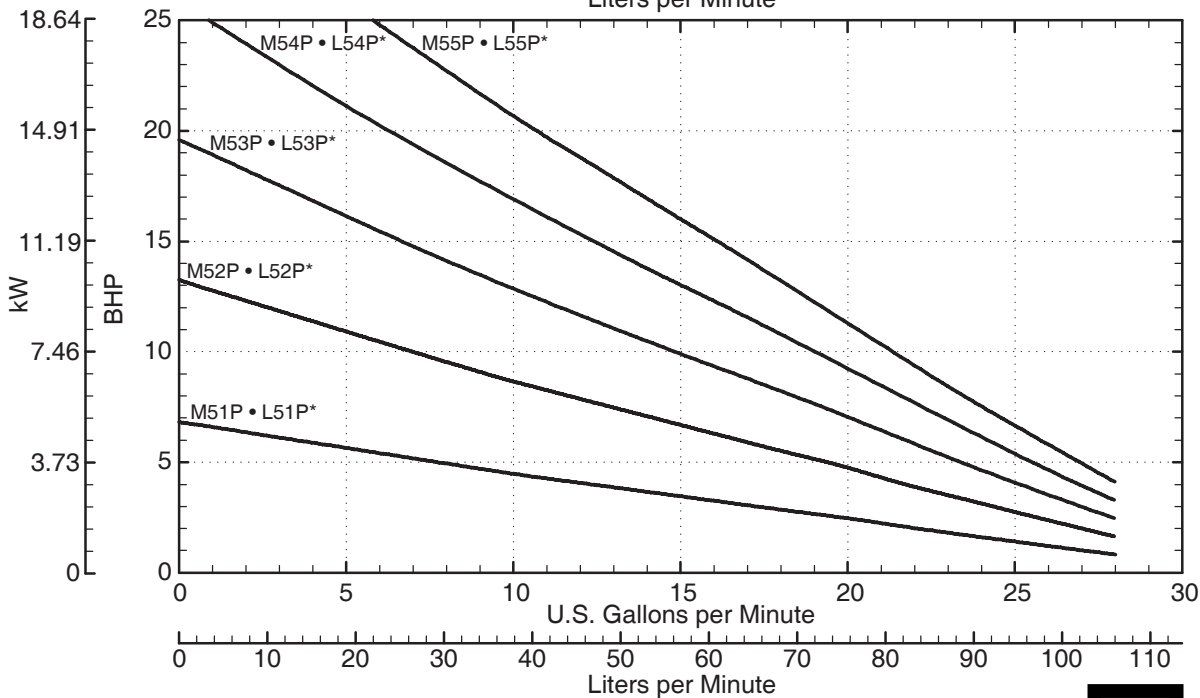
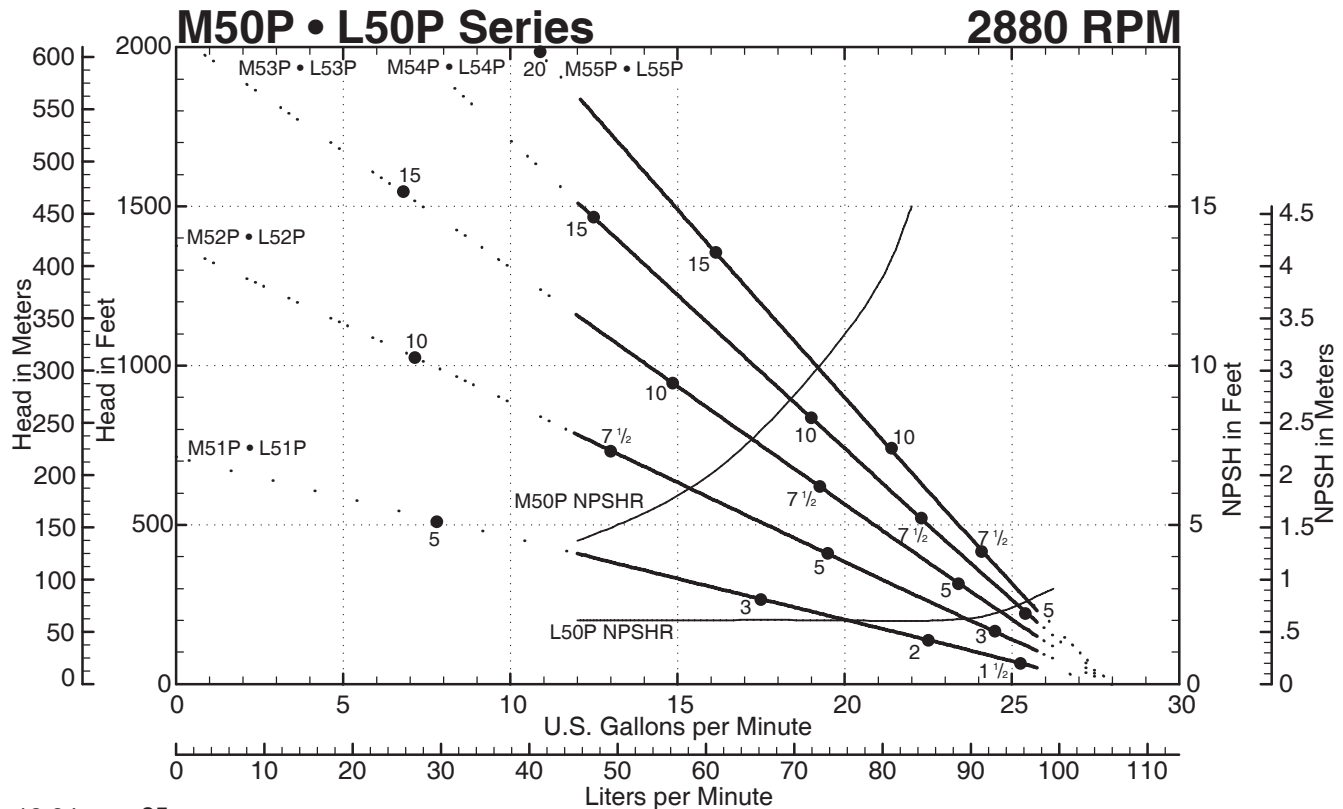
**MTH PUMPS**

401 West Main Street • Plano, IL 60545-1436  
 Phone: 630-552-4115 • Fax: 630-552-3688  
 Email: SALES@MTHPUMPS.COM  
 http://WWW.MTHPUMPS.COM

M50 • L50 SERIES

# Performance Curves

M50 • L50 SERIES PUMPS



**NOTES**

- Indicates Motor Horsepower Rating for Standard MTH Motors
- Recommended Operating Range
- ..... Refer to Factory for Operation in this Range
- \*Add .53 horsepower for L50P Inducer Models
- Horsepower data is valid for 1.0 specific gravity fluids only

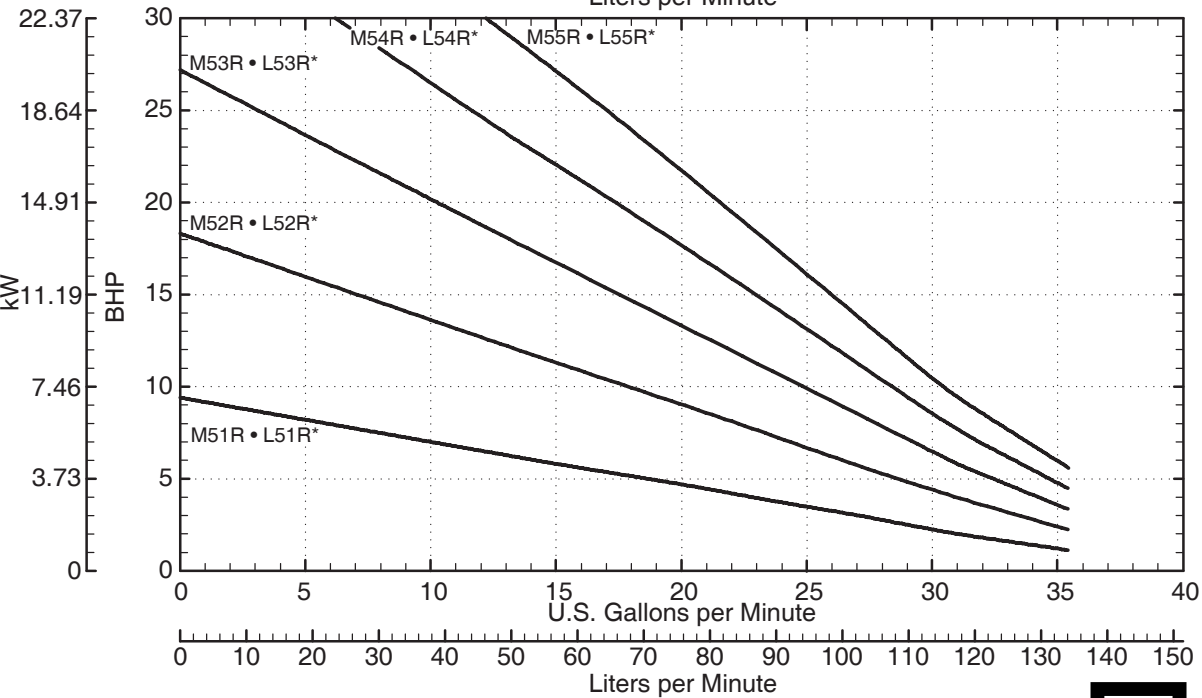
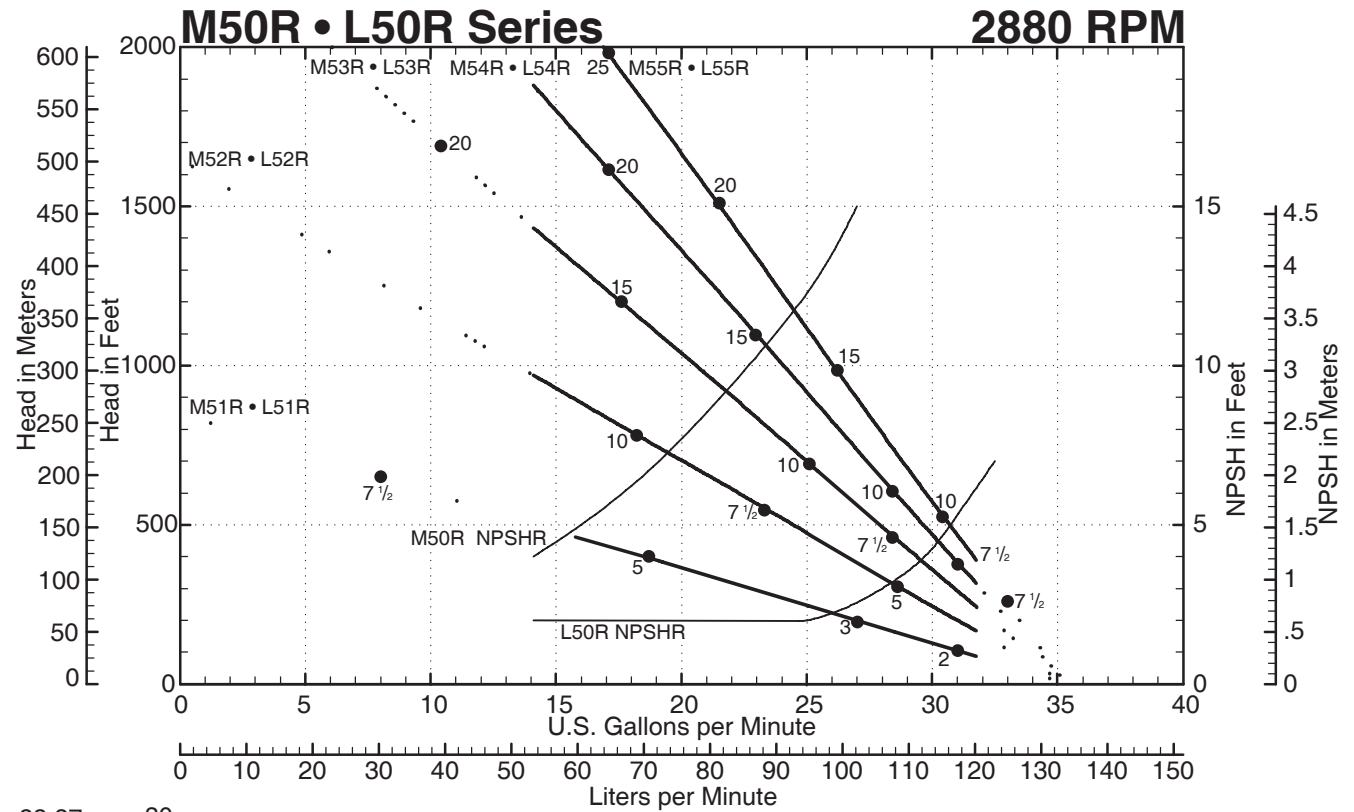


**MTH PUMPS**

401 West Main Street • Plano, IL 60545-1436  
 Phone: 630-552-4115 • Fax: 630-552-3688  
 Email: SALES@MTHPUMPS.COM  
 http://WWW.MTHPUMPS.COM

M50 • L50 SERIES

# Performance Curves



**NOTES**

- Indicates Motor Horsepower Rating for Standard MTH Motors
- Recommended Operating Range
- ..... Refer to Factory for Operation in this Range
- \*Add .61 horsepower for L50R Inducer Models
- Horsepower data is valid for 1.0 specific gravity fluids only



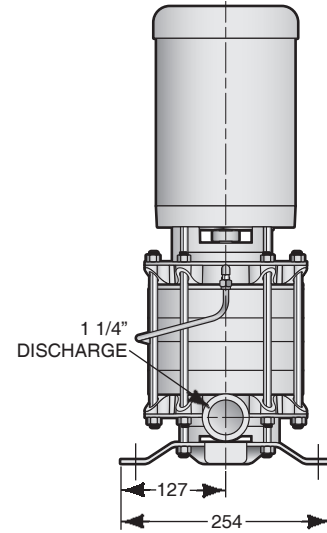
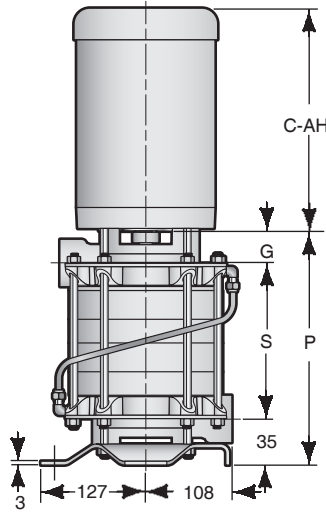
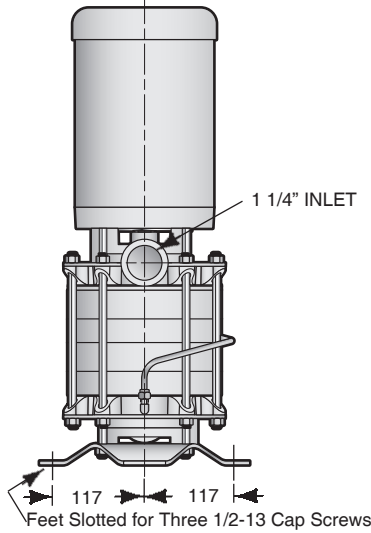
## MTH PUMPS

401 West Main Street • Plano, IL 60545-1436  
 Phone: 630-552-4115 • Fax: 630-552-3688  
 Email: SALES@MTHPUMPS.COM  
 http://WWW.MTHPUMPS.COM

M50 • L50 SERIES PUMPS

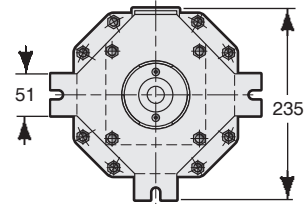
M50 • L50 SERIES

# Dimensions



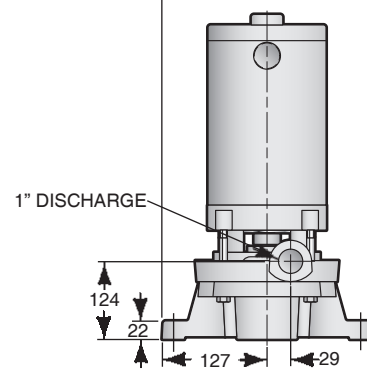
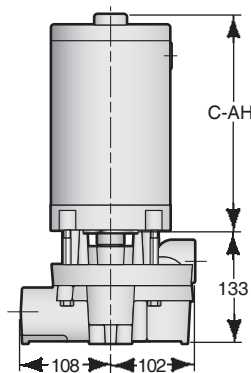
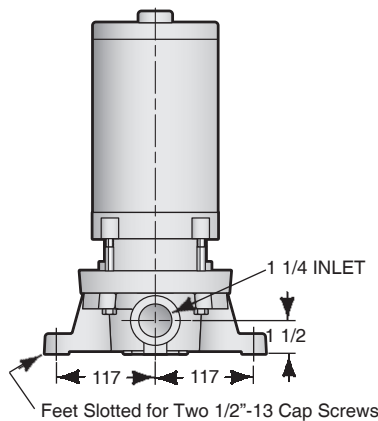
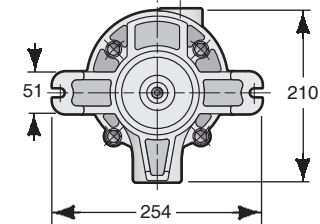
### M50 PUMPS WITHOUT INDUCER

FRAME	ALL		MODEL M51		MODEL M52		MODEL M53		MODEL M54		MODEL M55	
	C-AH	G	S	P	S	P	S	P	S	P	S	P
56C	330	30	SEE BELOW OR REFER TO T51 SERIES		191	256	254	319	318	383	381	446
143T-145T	330	30		191	256	254	319	318	383	381	446	
182T-184T	368	30		191	256	254	319	318	383	381	446	
213T-215T	432	30		191	256	254	319	318	383	381	446	
254T-256T	546	30		191	256	254	319	318	383	381	446	
284TS-286TS	597	30		191	256	254	319	318	383	381	446	



### L50 PUMPS WITH INDUCER

FRAME	ALL		MODEL L51		MODEL L52		MODEL L53		MODEL L54		MODEL L55	
	C-AH	G	S	P	S	P	S	P	S	P	S	P
56C	330	57	151	243	214	306	278	370	341	433	405	497
143T-145T	330	57	151	243	214	306	278	370	341	433	405	497
182T-184T	368	57	151	243	214	306	278	370	341	433	405	497
213T-215T	432	57	151	243	214	306	278	370	341	433	405	497
254T-256T	546	57	151	243	214	306	278	370	341	433	405	497
284TS-286TS	597	57	151	243	214	306	278	370	341	433	405	497



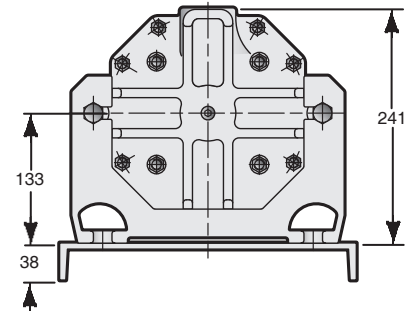
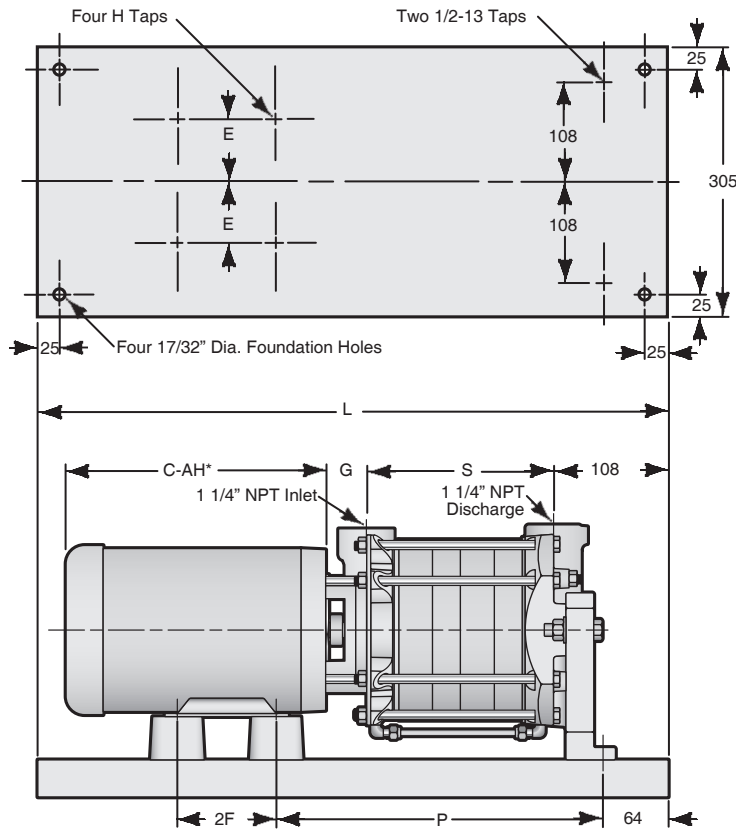
### NOTES

All dimensions in inches. May vary ± 6MM.  
 Not for construction purposes unless certified.  
 \*See motor price sheet for C-AH dimension (varies depending on motor enclosure)  
 Model M52 shown in Multistage Dimensions. Model M51 shown in Single Stage Dimensions.



401 West Main Street • Plano, IL 60545-1436  
 Phone: 630-552-4115 • Fax: 630-552-3688  
 Email: SALES@MTHPUMPS.COM  
 http://WWW.MTHPUMPS.COM

M50 • L50 SERIES  
**Dimensions**



M50 • L50 SERIES PUMPS

**M50 SERIES BASE MOUNTED CLOSE COUPLED WITH C3 MOTOR (WITHOUT INDUCER)**

FRAME	ALL M50 MODELS				MODEL M51			MODEL M52			MODEL M53			MODEL M54			MODEL M55		
	2F	E	H	G	S	P	L	S	P	L	S	P	L	S	P	L	S	P	L
56C	76	62	5/16"-18	30	REFER TO T51 SERIES			191	338	711	254	402	813	318	465	889	381	529	1016
143TC	102	70	5/16"-18	30		191	343	711	254	406	813	318	470	889	381	533	1016		
145TC	127	70	5/16"-18	30		191	343	711	254	406	813	318	470	889	381	533	1016		
182TC	114	95	3/8"-16	30		191	362	762	254	425	813	318	489	889	381	552	1016		

**L50 SERIES BASE MOUNTED CLOSE COUPLED WITH C3 MOTOR (WITH INDUCER)**

FRAME	ALL L50 MODELS				MODEL L51			MODEL L52			MODEL L53			MODEL L54			MODEL L55		
	2F	E	H	G	S	P	L	S	P	L	S	P	L	S	P	L	S	P	L
56C	76	62	5/16"-18	57	151	324	711	214	387	762	278	451	813	341	514	889	405	578	1016
143TC	102	70	5/16"-18	57	151	329	711	214	392	762	278	456	813	341	519	889	405	583	1016
145TC	127	70	5/16"-18	57	151	329	711	214	392	762	278	456	813	341	519	889	405	583	1016
182TC	114	95	3/8"-16	57	151	348	762	214	411	813	278	475	889	341	538	1016	405	602	1016

**NOTES**

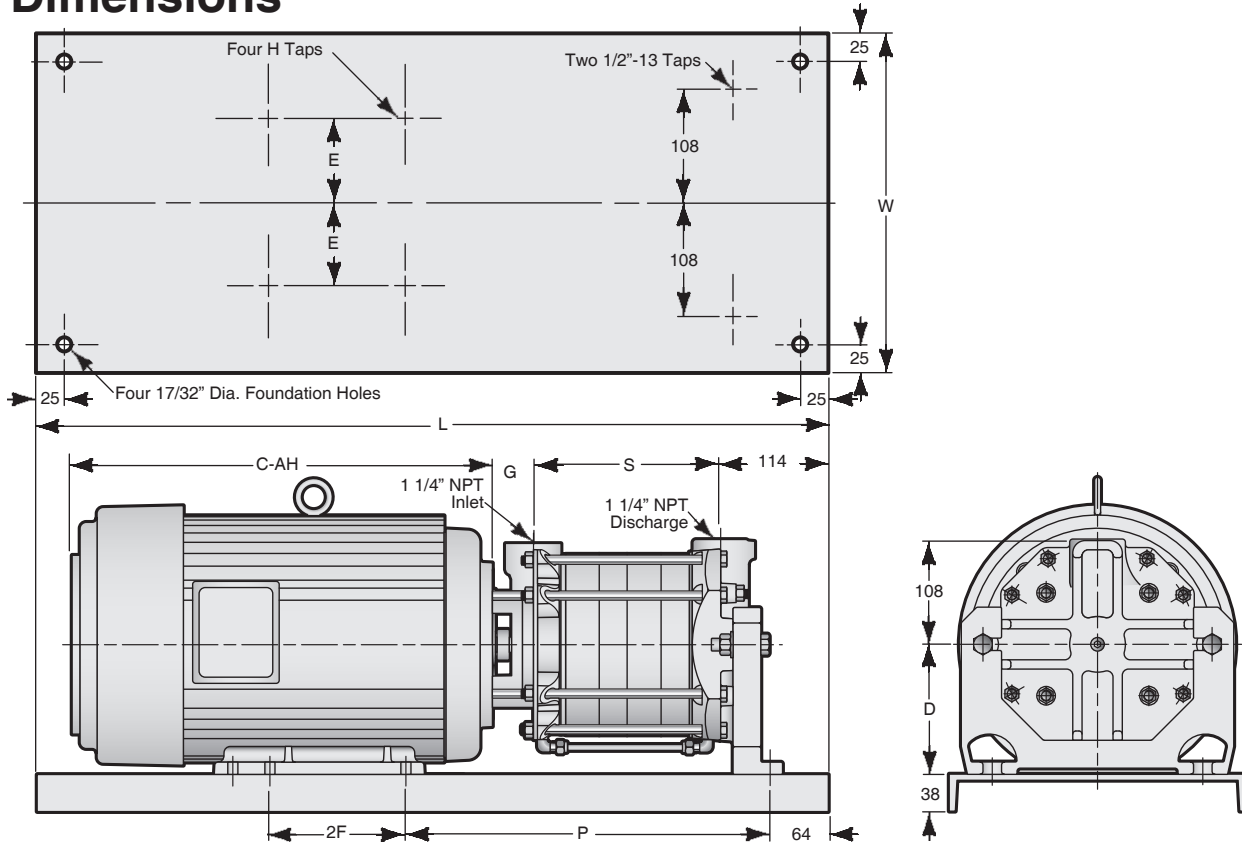
All dimensions in inches. May vary ± 6MM.  
 Not for construction purposes unless certified.  
 \*See motor price sheet for C-AH dimension (varies depending on motor enclosure)



401 West Main Street • Plano, IL 60545-1436  
 Phone: 630-552-4115 • Fax: 630-552-3688  
 Email: SALES@MTHPUMPS.COM  
 http://WWW.MTHPUMPS.COM

M50 • L50 SERIES

# Dimensions



M50 • L50 SERIES PUMPS

### M50 SERIES BASE MOUNTED CLOSE COUPLED WITH C30 MOTOR (WITHOUT INDUCER)

FRAME	ALL M50 MODELS							MODEL M52			MODEL M53			MODEL M54			MODEL M55		
	C-AH	2F	E	H	G	D	W	S	P	L	S	P	L	S	P	L	S	P	L
184	349	140	95	3/8"-16	30	133	304	191	343	711	254	406	762	318	470	813	381	533	889
213	394	140	108	3/8"-16	30	133	304	191	362	813	254	425	889	318	489	1016	381	552	1016
215	432	178	108	3/8"-16	30	133	304	191	362	813	254	425	889	318	489	1016	381	552	1016
254	502	210	127	1/2"-13	30	159	381	191	381	889	254	445	1016	318	508	1016	381	572	1143
256	546	254	127	1/2"-13	30	159	381	191	381	889	254	445	1016	318	508	1016	381	572	1143
284	559	241	140	1/2"-13	30	178	381	191	394	1016	254	457	1016	318	521	1143	381	584	1143
286	597	279	140	1/2"-13	30	178	381	191	394	1016	254	457	1016	318	521	1143	381	584	1143

### L50 SERIES BASE MOUNTED CLOSE COUPLED WITH C30 MOTOR (WITH INDUCER)

FRAME	ALL L50 MODELS							MODEL L52			MODEL L53			MODEL L54			MODEL L55		
	C-AH	2F	E	H	G	D	W	S	P	L	S	P	L	S	P	L	S	P	L
184	349	140	95	3/8"-16	57	133	304	214	392	762	278	456	813	341	519	889	405	583	1016
213	394	140	108	3/8"-16	57	133	304	214	411	889	278	475	889	341	538	1016	405	602	1016
215	432	178	108	3/8"-16	57	133	304	214	411	889	278	475	889	341	538	1016	405	602	1016
254	502	210	127	1/2"-13	57	159	381	214	430	1016	278	494	1016	341	557	1143	405	621	1143
256	546	254	127	1/2"-13	57	159	381	214	430	1016	278	494	1016	341	557	1143	405	621	1143
284	559	241	140	1/2"-13	57	178	381	214	418	1016	278	506	1143	341	570	1143	405	633	1270
286	597	279	140	1/2"-13	57	178	381	214	418	1016	278	506	1143	341	570	1143	405	633	1270

**NOTES**

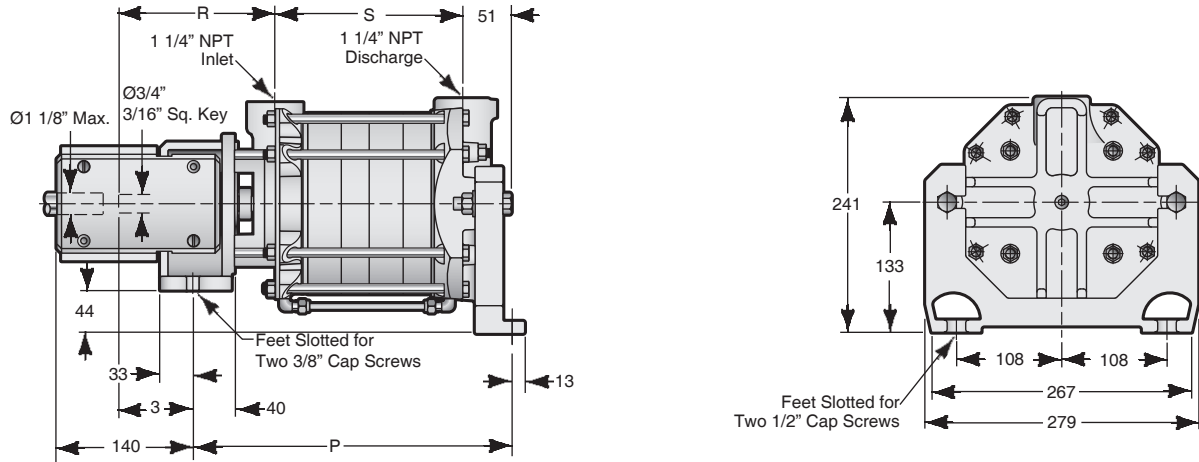
All dimensions in inches. May vary ± 6MM.  
 Not for construction purposes unless certified.  
 \*See motor price sheet for C-AH dimension (varies depending on motor enclosure)



401 West Main Street • Plano, IL 60545-1436  
 Phone: 630-552-4115 • Fax: 630-552-3688  
 Email: SALES@MTHPUMPS.COM  
 http://WWW.MTHPUMPS.COM

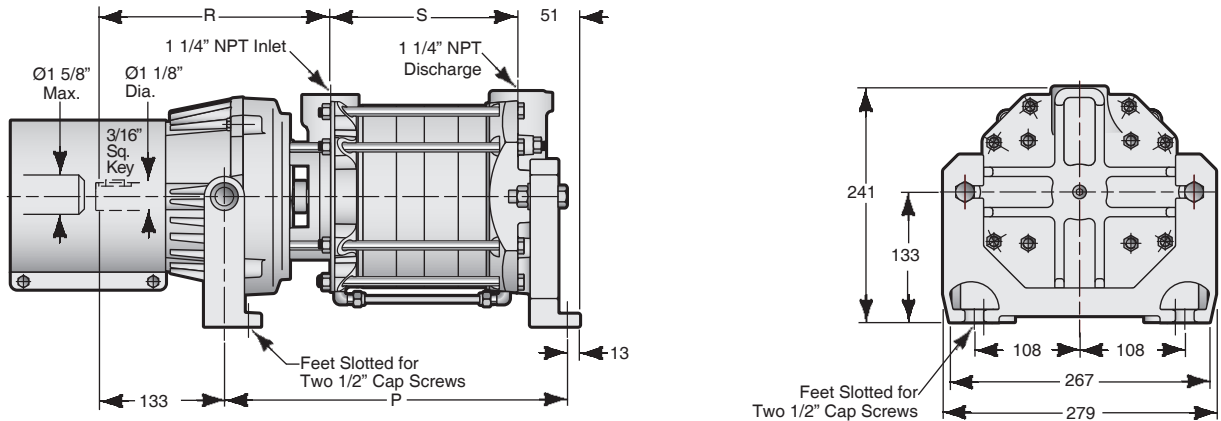


M50 • L50 SERIES  
**Dimensions**



**M50 • L50 SERIES PUMP END ONLY WITH P3 BEARING PEDESTAL**

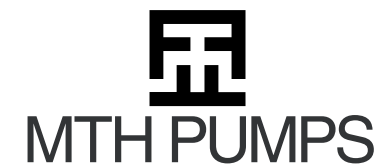
DIM.	PUMPS WITHOUT INDUCER				PUMPS WITH INDUCER				
	M52	M53	M54	M55	L51	L52	L53	L54	L55
S	191	254	318	381	151	214	278	341	405
P	316	379	443	506	302	365	505	492	556
R	151	151	151	151	176	176	176	176	176



**M50 • L50 SERIES PUMP END ONLY WITH P30 BEARING PEDESTAL**

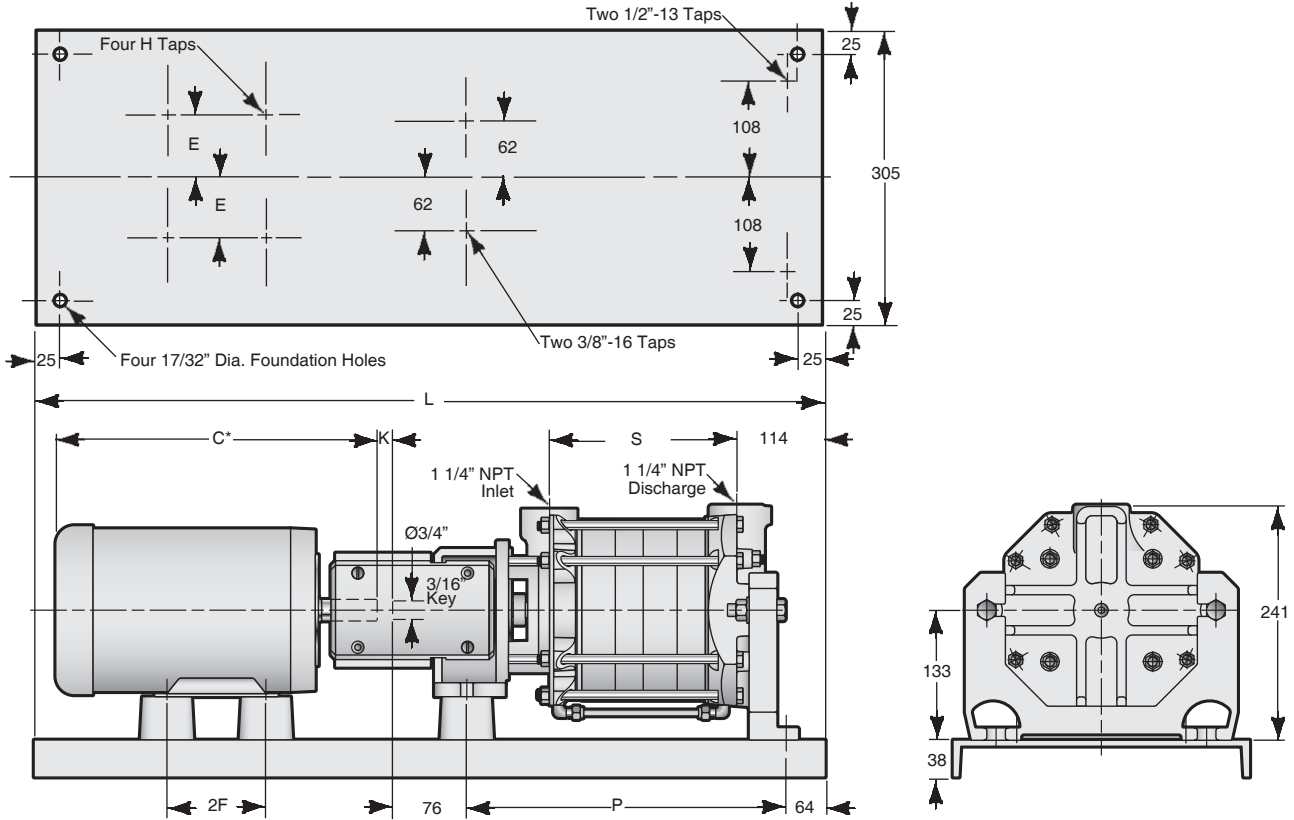
DIM.	PUMPS WITHOUT INDUCER				PUMPS WITH INDUCER			
	M52	M53	M54	M55	L52	L53	L54	L55
S	191	254	318	381	214	278	341	405
P	340	403	467	530	389	452	516	579
R	230	230	230	230	257	257	257	257

**NOTES**  
 All dimensions in inches. May vary ± 6MM.  
 Not for construction purposes unless certified.



401 West Main Street • Plano, IL 60545-1436  
 Phone: 630-552-4115 • Fax: 630-552-3688  
 Email: SALES@MTHPUMPS.COM  
 http://WWW.MTHPUMPS.COM

M50 • L50 SERIES  
**Dimensions**



M50 • L50 SERIES PUMPS

**M50 SERIES BASE MOUNTED ASSEMBLY WITH P3 BEARING FRAME (WITHOUT INDUCER)**

FRAME	ALL M50 MODELS					MODEL M51			MODEL M52			MODEL M53			MODEL M54			MODEL M55		
	CPLG	2F	E	H	K	S	P	L	S	P	L	S	P	L	S	P	L	S	P	L
56	3J	76	62	5/16"-18	16	REFER TO T51 SERIES			191	316	813	254	379	889	318	443	965	381	506	1016
143T	4J	102	70	5/16"-18	16				191	316	889	254	379	889	318	443	965	381	506	1016
145T	4J	127	70	5/16"-18	16				191	316	889	254	379	889	318	443	965	381	506	1016
182T	5J	114	95	3/8"-16	19				191	316	889	254	379	965	318	443	1016	381	506	1143
184T	5J	139	95	3/8"-16	19				191	316	889	254	379	965	318	443	1016	381	506	1143

**L50 SERIES BASE MOUNTED ASSEMBLY WITH P3 BEARING FRAME (WITH INDUCER)**

FRAME	ALL L50 MODELS					MODEL L51			MODEL L52			MODEL L53			MODEL L54			MODEL L55		
	CPLG	2F	E	H	K	S	P	L	S	P	L	S	P	L	S	P	L	S	P	L
56	3J	76	62	5/16"-18	16	151	302	813	214	365	889	278	429	965	341	492	1016	405	556	1143
143T	4J	102	70	5/16"-18	16	151	302	813	214	365	889	278	429	965	341	492	1016	405	556	1143
145T	4J	127	70	5/16"-18	16	151	302	813	214	365	889	278	429	965	341	492	1016	405	556	1143
182T	5J	114	95	3/8"-16	19	151	302	889	214	365	965	278	429	1016	341	492	1143	405	556	1143
184T	5J	139	95	3/8"-16	19	151	302	889	214	365	965	278	429	1016	341	492	1143	405	556	1143

**NOTES**

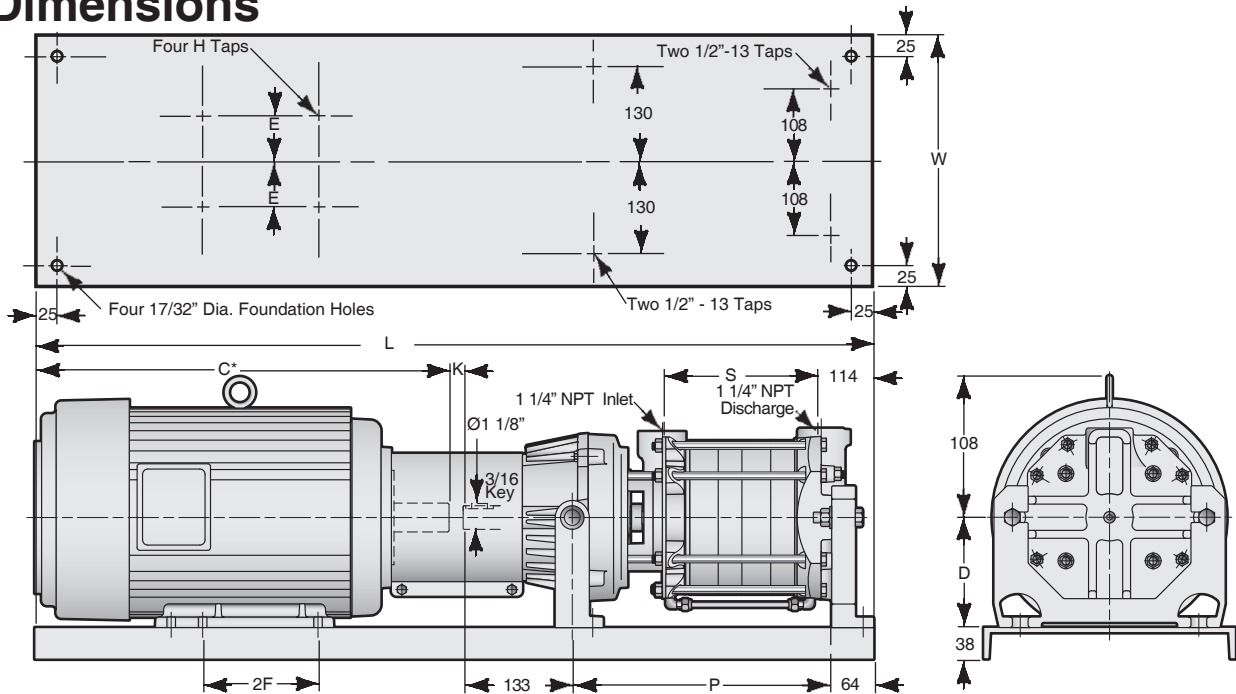
All dimensions in inches. May vary ± 6MM.  
 Not for construction purposes unless certified.  
 \*See motor price sheet for C dimension (varies depending on motor enclosure)



**MTH PUMPS**  
 401 West Main Street • Plano, IL 60545-1436  
 Phone: 630-552-4115 • Fax: 630-552-3688  
 Email: SALES@MTHPUMPS.COM  
 http://WWW.MTHPUMPS.COM

M50 • L50 SERIES

# Dimensions



### M50 SERIES BASE MOUNTED ASSEMBLY WITH P30 BEARING FRAME (WITHOUT INDUCER)

FRAME	ALL M50 MODELS								MODEL M52			MODEL M53			MODEL M54			MODEL M55		
	CPLG	2F	D	W	E	H	K	S	P	L	S	P	L	S	P	L	S	P	L	
184T	5J	140	133	305	95	3/8"-16	19	191	340	1016	254	403	1143	318	467	1143	381	530	1270	
213T	6J	140	133	305	108	3/8"-16	22	191	340	1143	254	403	1143	318	467	1270	381	530	1270	
215T	6J	178	133	305	108	3/8"-16	22	191	340	1143	254	403	1143	318	467	1270	381	530	1270	
254T	7S	210	159	381	127	1/2"-13	25	191	340	1270	254	403	1270	318	467	1397	381	530	1397	
256T	7S	254	159	381	127	1/2"-13	25	191	340	1270	254	403	1270	318	467	1397	381	530	1397	
284TS	8S	241	178	381	140	1/2"-13	29	191	340	1270	254	403	1397	318	467	1397	381	530	1524	
286TS	8S	279	178	381	140	1/2"-13	29	191	340	1270	254	403	1397	318	467	1397	381	530	1524	
324TS	8S	267	203	457	159	21/32"	29	191	340	1270	254	403	1397	318	467	1397	381	530	1524	
326TS	8S	305	203	457	159	21/32"	29	191	340	1270	254	403	1397	318	467	1397	381	530	1524	

### L50 SERIES BASE MOUNTED ASSEMBLY WITH P30 BEARING FRAME (WITH INDUCER)

FRAME	ALL L50 MODELS								MODEL L52			MODEL L53			MODEL L54			MODEL L55		
	CPLG	2F	D	W	E	H	K	S	P	L	S	P	L	S	P	L	S	P	L	
184T	5J	140	133	305	95	3/8"-16	19	214	389	1016	278	452	1143	341	516	1143	405	579	1270	
213T	6J	140	133	305	108	3/8"-16	22	214	389	1143	278	452	1270	341	516	1270	405	579	1397	
215T	6J	178	133	305	108	3/8"-16	22	214	389	1143	278	452	1270	341	516	1270	405	579	1397	
254T	7S	210	159	381	127	1/2"-13	25	214	389	1270	278	452	1397	341	516	1397	405	579	1524	
256T	7S	254	159	381	127	1/2"-13	25	214	389	1270	278	452	1397	341	516	1397	405	579	1524	
284TS	8S	241	178	381	140	1/2"-13	29	214	389	1397	278	452	1397	341	516	1524	405	579	1524	
286TS	8S	279	178	381	140	1/2"-13	29	214	389	1397	278	452	1397	341	516	1524	405	579	1524	
324TS	8S	267	203	457	159	21/32"	29	214	389	1397	278	452	1397	341	516	1524	405	579	1524	
326TS	8S	305	203	457	159	21/32"	29	214	389	1397	278	452	1397	341	516	1524	405	579	1524	

**NOTES**

All dimensions in inches. May vary ± 6MM.  
 Not for construction purposes unless certified.  
 \*See motor price sheet for C dimension (varies depending on motor enclosure)



401 West Main Street • Plano, IL 60545-1436  
 Phone: 630-552-4115 • Fax: 630-552-3688  
 Email: SALES@MTHPUMPS.COM  
 http://WWW.MTHPUMPS.COM

M50 • L50 SERIES PUMPS