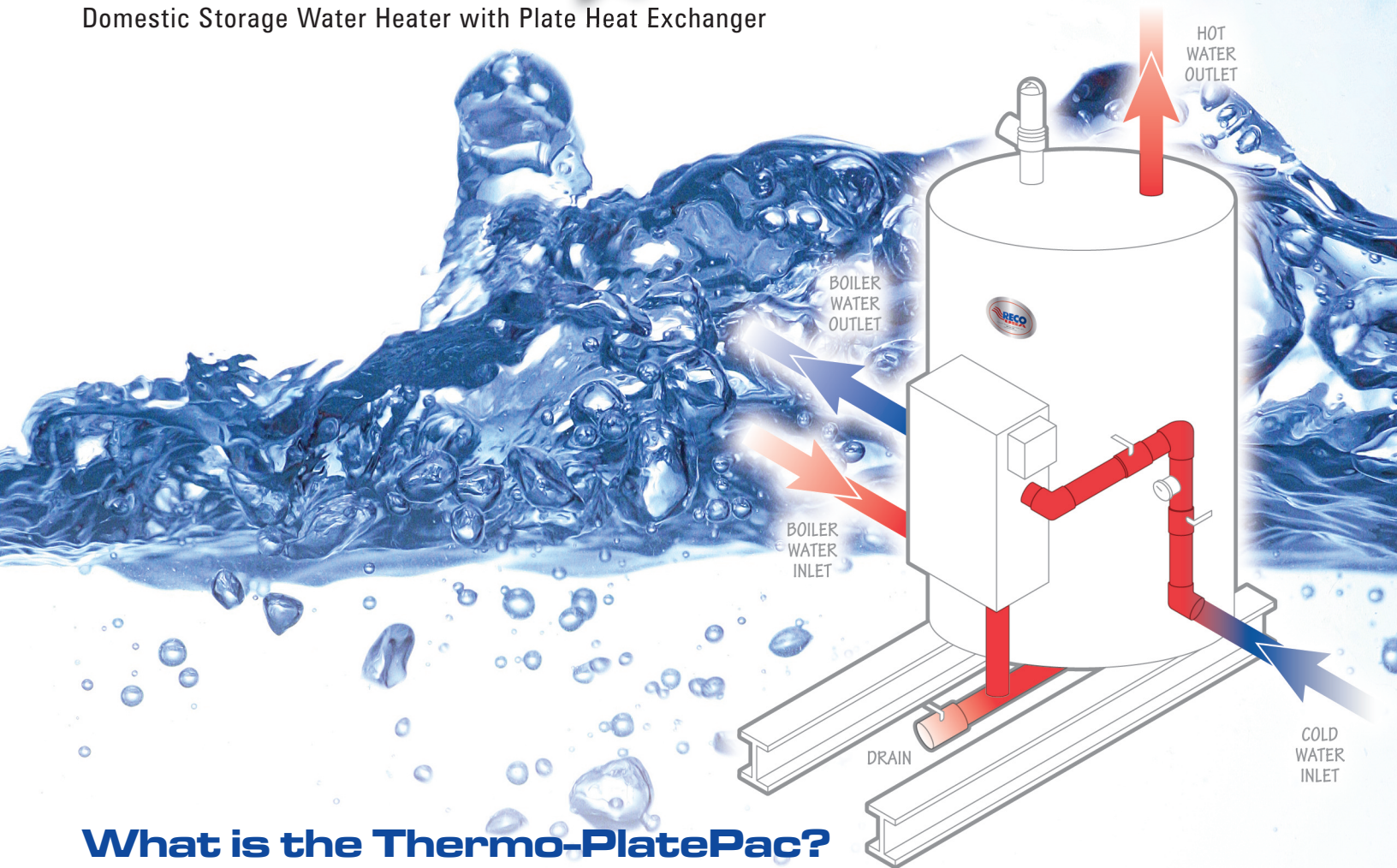


THERMOPLATEPAC NEW

Domestic Storage Water Heater with Plate Heat Exchanger



What is the Thermo-PlatePac?

The RECO USA Thermo-PlatePac (or TPV) is an ASME-rated domestic hot water storage tank which is factory assembled to a plate heat exchanger with all necessary operating controls. It comes completely packaged and ready for use. The installer simply needs to hook up a few required inlet and outlet connections.

Why use a RECO TPV?

If you are interested in saving energy through a highly-efficient boiler water heating system, then you need to consider the RECO TPV. We achieve optimum high heat transfer through our plate heat exchanger generating more efficient and faster hot water replenishment. It is the perfect choice where U-tube exchangers fall short.

Our TPV systems are ideal for:

- heating domestic water with solar water, which typically has low water inlet temperature.
- use with lower boiler water temperatures from high efficiency condensing boilers.



TPV Model Selection Guide

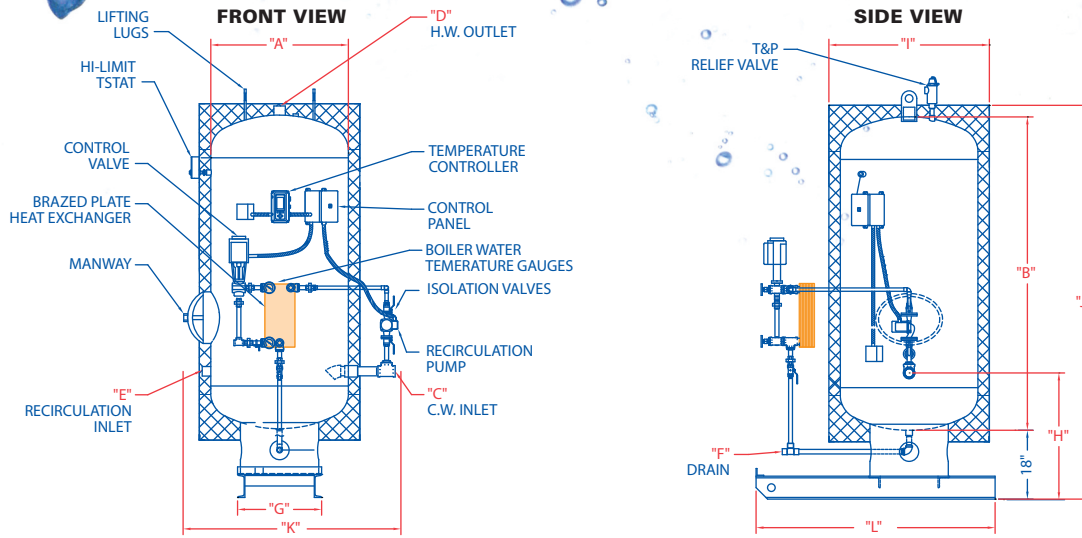


Table A: Thermo-PlatePac Model Sizing Chart* (40° to 140°F with Boiler Water 160° to 140°F)

MODEL	GALLONS	A	B	C/D	E	F	G	H	I	J	K	L	RECOVERY (GPH)
TPV150-30048	130	30	48	1 ½	1	1	22	31 ½	34	68	45	52	600
TPV150-30060	165	30	60	1 ½	1	1	22	31 ½	34	80	45	55 ¾	900
TPV150-30072	205	30	72	1 ½	1	1	22	31 ½	34	92	45	58 ¾	1200
TPV150-30084	240	30	84	1 ½	1	1	22	31 ½	34	104	45	58 ¾	1200
TPV150-36072	285	36	72	1 ½	1	1 ½	22	33	40	92	51	59 ¾	1500
TPV150-42072	380	42	72	1 ½	1	1 ½	26	34 ½	46	92	57	66 ¾	1800
TPV150-42084	450	42	84	1 ½	1	1 ½	26	34 ½	46	104	57	67 ¾	2100
TPV150-48072	500	48	72	2	1 ¼	2	32	36	52	92	63	74 ¾	2400
TPV150-48084	585	48	84	2	1 ¼	2	32	36	52	104	63	75 ¾	3000

MODEL CONFIGURATION	MODEL NUMBER	WORKING PRESSURE	TANK LINER	PLATE	CONTROL VALVE	HEATING MEDIUM
TPV TPV = Vertical	30072 Choose from Table A	150 125 Psig or 150 Psig	US UltraStone™ = US GB Cement = GB	S Stainless Single = S Stainless Double = D	EL Electric = EL Pneumatic = PN	W Water = W

TPV Standard Package

- Brazed Plate Heat Exchanger
- ASME-rated, Ultra-Stone™ Lined Storage Vessel
- Insulated to ASHRAE Standards
- Modulating Electronic Control Valve with P.I.D. Controller
- Bronze Circulator Pump
- Tank & Boiler Water Thermometers

Contact your sales representative for more information or to custom design your Thermo-PlatePac.



American Investors LLC, dba RECO USA
 PO Box 4147 West Columbia, South Carolina 29171
 (803) 794-3360 | (800) 334-7326 | (803) 791-3304 Fax

info@recousaheaters.com Email

www.recousaheaters.com | www.recousatanks.com Websites

*Dimensions are subject to change. RECO USA reserves the right to make design changes without obligation to make these changes on units previously sold.