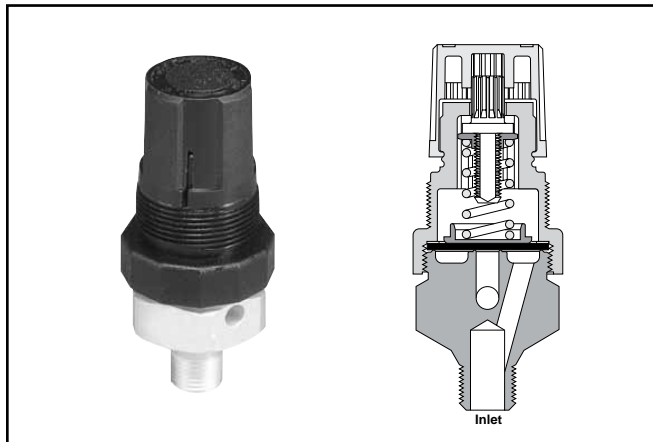


130 Relief Valve



Features

- Compact, Sensitive Diaphragm-type Relief Valve
- Push-pull, Locking Knob
- Knob and Top Work the Same as a Miniature Regulator
- 130 has Lightweight Aluminum Construction
- 134 has a brass body, captured exhaust and is an Inline Type with 3 Inlet Ports and 1 Outlet Port

Applications

- Designed to Protect Against Excessive Pressure Buildup in a Pneumatic Circuit or System
- For Use where Gradual Proportional Relief is Required

Operation

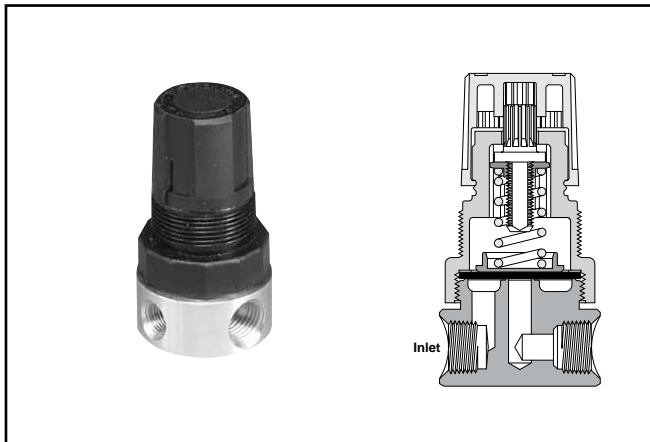
- Turn relief valve knob clockwise for maximum pressure.
- Set pressure going into relief valve at desired pressure.
- Turn relief valve knob counter-clockwise until exhaust starts to bleed.
- Turn relief valve knob clockwise until exhaust stops bleeding. Push to lock knob.

Ordering Information

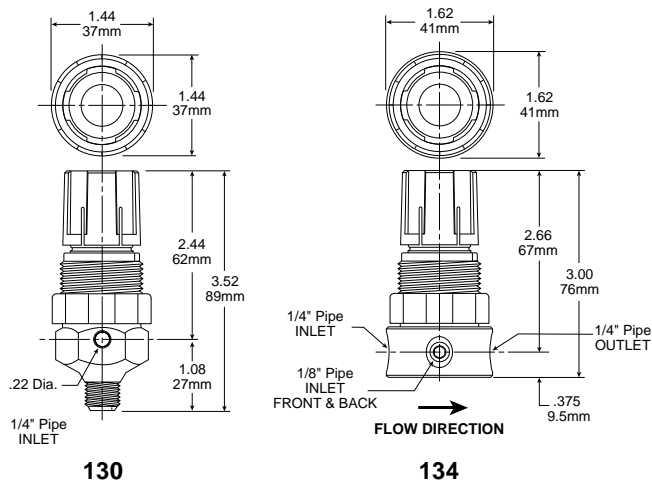
Relief Valve	Spring Range			
	0-15 PSIG	0-25 PSIG	0-50 PSIG	0-100 PSIG
130	130-02AA	130-02A	130-02B	130-02C
	130-02AAP*	130-02AP*	130-02BP*	130-02CP*
134	134-02AA	134-02A	134-02B	134-02C
	134-02AAP*	134-02AP*	134-02BP*	134-02CP*

* Panel mount nut included.

134 Relief Valve



Dimensions



Relief Valve Kits

Bonnet Assembly Kit	PCKR364Y
Panel Mount Nut	PR05X51

Specifications

Relief Range	0 to 100 PSIG (0 to 6.9 bar)
Maximum Inlet Pressure	300 PSIG (20.7 bar)
Operating Temperature	40°F to 120°F (4°C to 49°C)
Port Threads:	
130	1/4" Pipe Male Only
134	Inlet Port – Two 1/8" & One 1/4" Pipe Outlet Port – 1/4" Pipe

Materials of Construction

Adjusting Knob	Polypropylene
Adjusting Screw	Zinc-plated Steel
Body	Aluminum (130); Brass (134)
Diaphragm / Disc	Buna-N
Nut	Chromated Steel
Spring Cage	Acetal
Spring	Zinc-plated Steel

