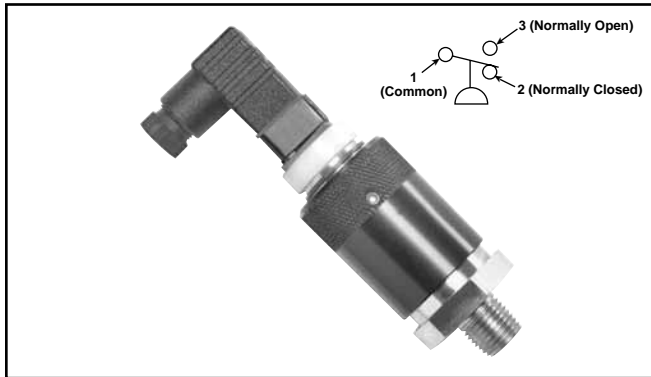


Pressure Switch – PPS1

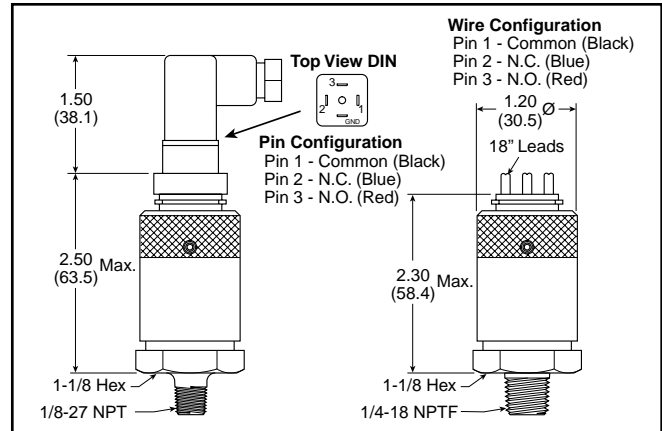
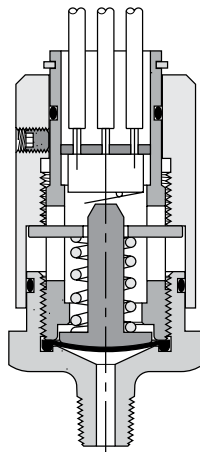


Features:

- Long life elastomer diaphragm
- High quality snap action switch
- Field adjustable
- Compact design
- Easily customized
- Quick delivery
- NEMA 4, 13

Operation

The pressure switch monitors the air pressure in your pneumatic system. When the pressure in your system either drops below or exceeds the set point pressure, an electrical output is given.



Definitions and Terminology

Repeatability — Accuracy is the maximum allowable set point deviation of a single pressure or temperature switch under one given set of environmental and operational conditions.

Single Pole Double Throw (SPDT) Switching element — A SPDT switching element has one normally open, one normally closed and one common terminal. Three terminals mean that the switch can be wired with the circuit either normally open (NO), or normally closed (NC), or both.

Dead Band — The dead band, sometimes referred to as “differential” or “hysteresis”, is the change in pressure between actuation and deactuation set points.

Ordering Information

PPS1 - 1 C 3 - R HM

Thread	Circuit	Range	Set Point Direction	Electrical Connection
1 1/4" NPT Male	C SPDT	1 3-10 PSI	R Rising	HM DIN 9.4mm
2 1/8" NPT Male		2 6-30 PSI		WL Wire Leads
17 1/4" BSPP Male		3 20-120 PSI		18"
18 1/8" BSPP Male		4 100-400 PSI†		

* Factory setting for calibration purposes
 Range 1 = 6 PSI
 Range 2 = 18 PSI
 Range 3 = 70 PSI
 Range 4 = 250 PSI

† Only available in 1/4" NPT

Note: Switch is field adjustable.

Specifications

Set Point Tolerance	±1 PSI or 5% (.07 bar)	
Temperature Range	-40F° to 220F° (-40C° to 105C°)	
Max. Operating Pressure (Ranges 1, 2, 3)	250 PSI (17.2 bar)	
Max. Operating Pressure (Range 4)	2000 PSI (137.9 bar)	
Deadband	10 - 20% of set pressure	
Current Rating	3A @ 125 VAC 2A @ 30 VDC (Resistive)	
Circuit Form	SPDT Standard	
Cycle Life	1 Million	

Materials of Construction

Adjustment Knob	Anodized Aluminum
Body	Brass
Diaphragm	Nitrile