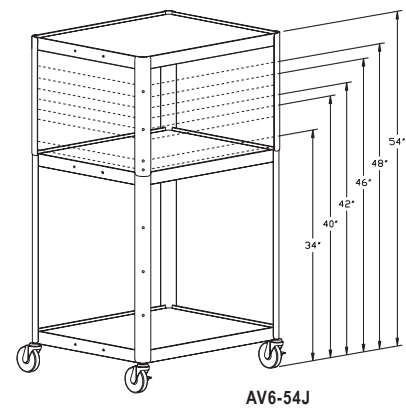


**PIXMobile® PRE-ASSEMBLED MONITOR/TELEVISION CARTS**



- Choose AV6 models for a 25" x 30" top in either standard or cabinet style carts.
- Fully assembled for convenience and robotically arc welded for added strength.
- Cabinet models offer secure steel enclosure with hinged locking door.
- Optional UL listed six outlet surge suppressor or three outlet electrical assembly with cord wind bracket available.



**PIXMOBILE® FULLY ARC-WELDED WITH 25" X 30" TOP SHELF**

Model	Dimensions H x W x D	
	in.	cm.
AV6-42	42" x 30" x 25"	107 x 76 x 64
AV6-48	48" x 30" x 25"	122 x 76 x 64
AV6-54	54" x 30" x 25"	137 x 76 x 64
AV6-54J	54" x 30" x 25"	137 x 76 x 64
AV6M-54J	54" x 30" x 25"	137 x 76 x 64

**PIXMOBILE® WITH METAL CABINET AND 25" X 30" TOP SHELF**

Model	Dimensions H x W x D	
	in.	cm.
AV6C-54J	54" x 30" x 25"	137 x 76 x 64
AV6CM-54J	54" x 30" x 25"	137 x 76 x 64