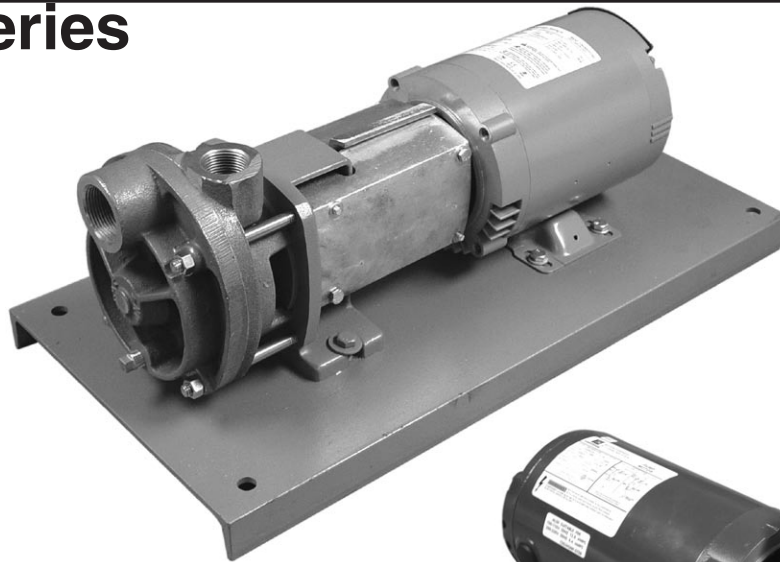


MTH PUMPS

E51 • T51 Series

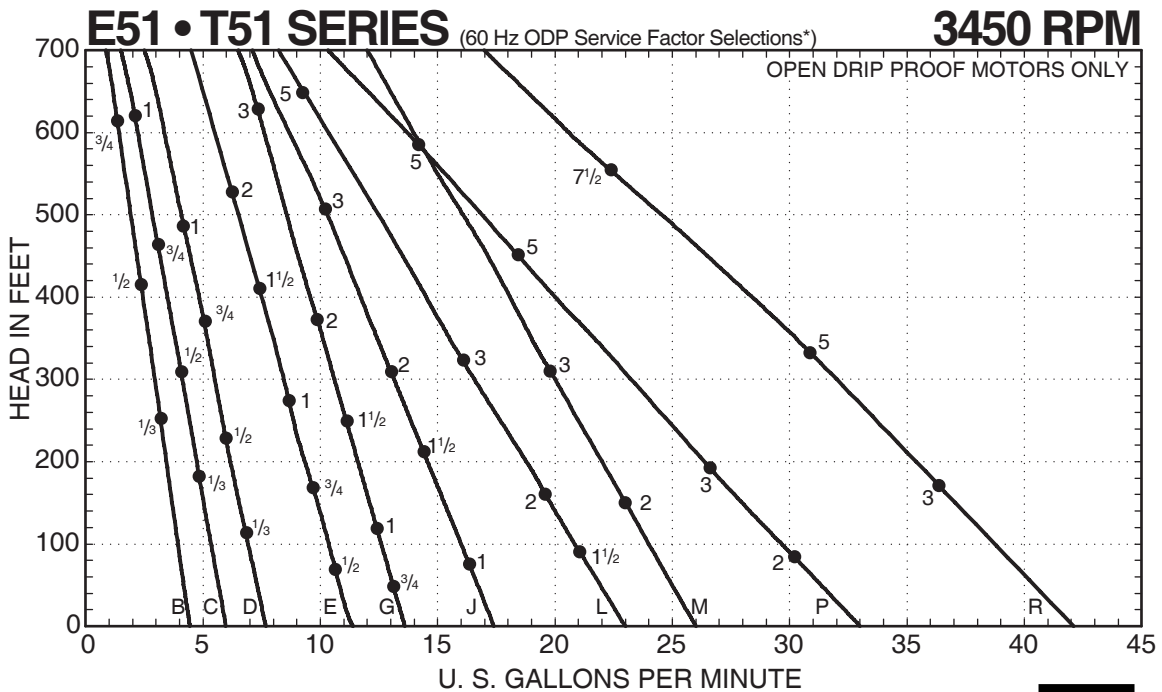
- Capacities to 40 GPM
- Heads to 700 Feet
- Low NPSH Requirements
- Horizontal Close Coupled
- Vertical Flange Mounted
- Flex Coupled



E51 • T51 SERIES PUMPS

E51 • T51 SERIES

Composite Curves



MTH PUMPS

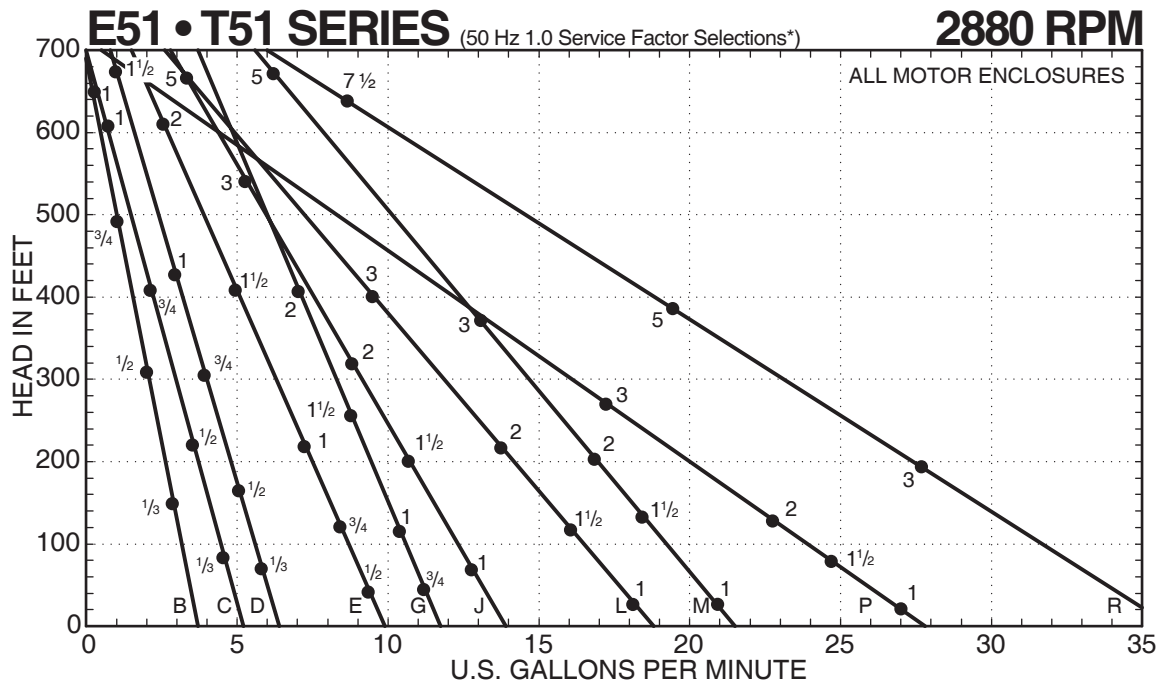
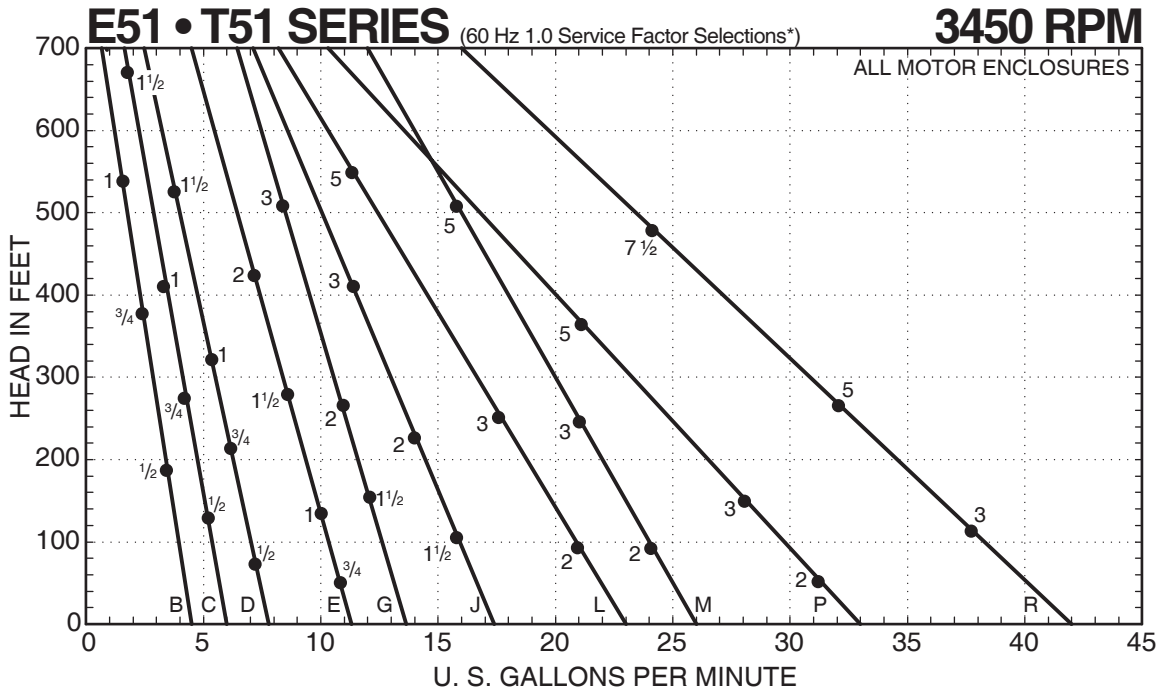
401 West Main Street • Plano, IL 60545-1436
 Phone: 630-552-4115 • Fax: 630-552-3688
 Email: SALES@MTHPUMPS.COM
 http://WWW.MTHPUMPS.COM

* Horsepower data is valid for 1.0 specific gravity fluids only

E51 • T51 SERIES

Composite Curves

E51 • T51 SERIES PUMPS



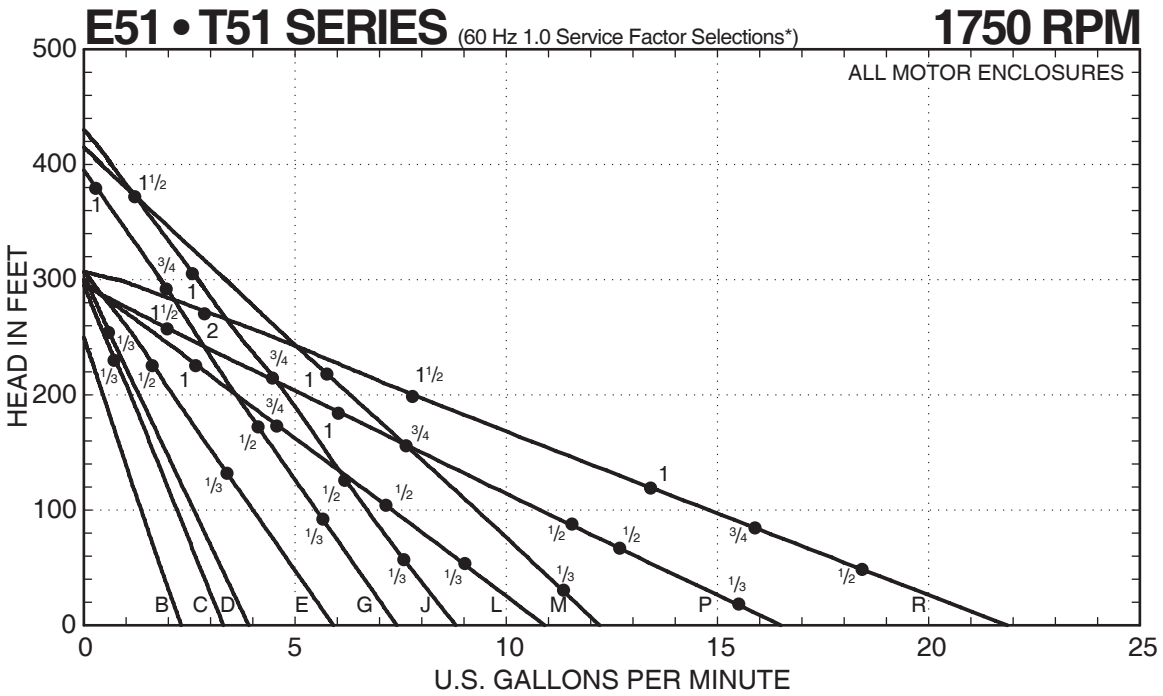
MTH PUMPS

401 West Main Street • Plano, IL 60545-1436
Phone: 630-552-4115 • Fax: 630-552-3688
Email: SALES@MTHPUMPS.COM
http://WWW.MTHPUMPS.COM

* Horsepower data is valid for 1.0 specific gravity fluids only

E51 • T51 SERIES

Composite Curves



E51 • T51 SERIES PUMPS



MTH PUMPS

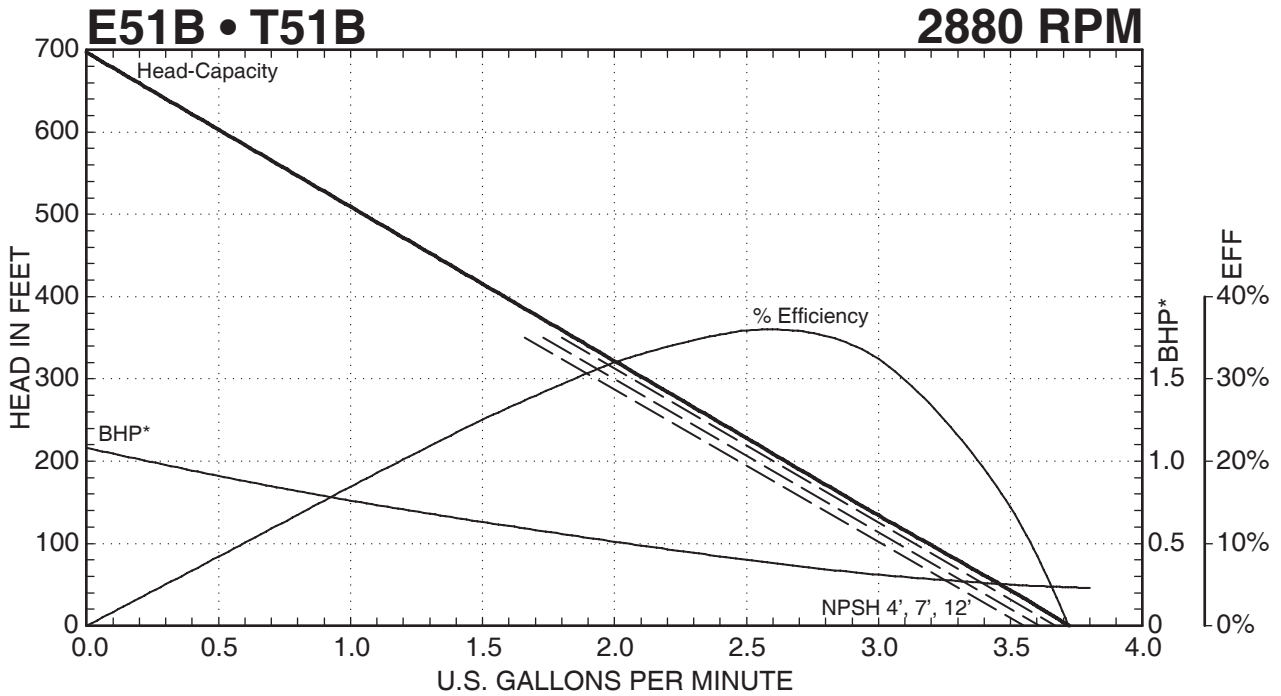
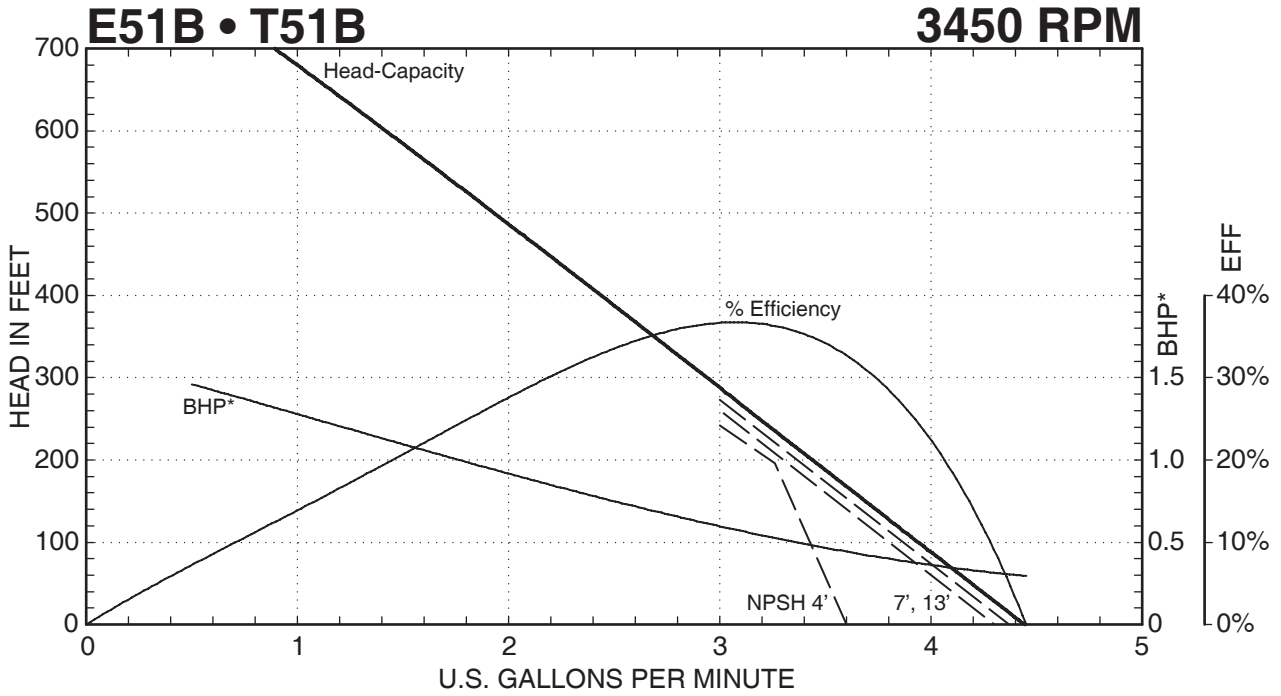
401 West Main Street • Plano, IL 60545-1436
 Phone: 630-552-4115 • Fax: 630-552-3688
 Email: SALES@MTHPUMPS.COM
 http://WWW.MTHPUMPS.COM

* Horsepower data is valid for 1.0 specific gravity fluids only

T51 SERIES

Performance Curves

E51 • T51 SERIES PUMPS



— — — Indicates altered performance at NPSH Available
 * Horsepower data is valid for 1.0 specific gravity fluids only



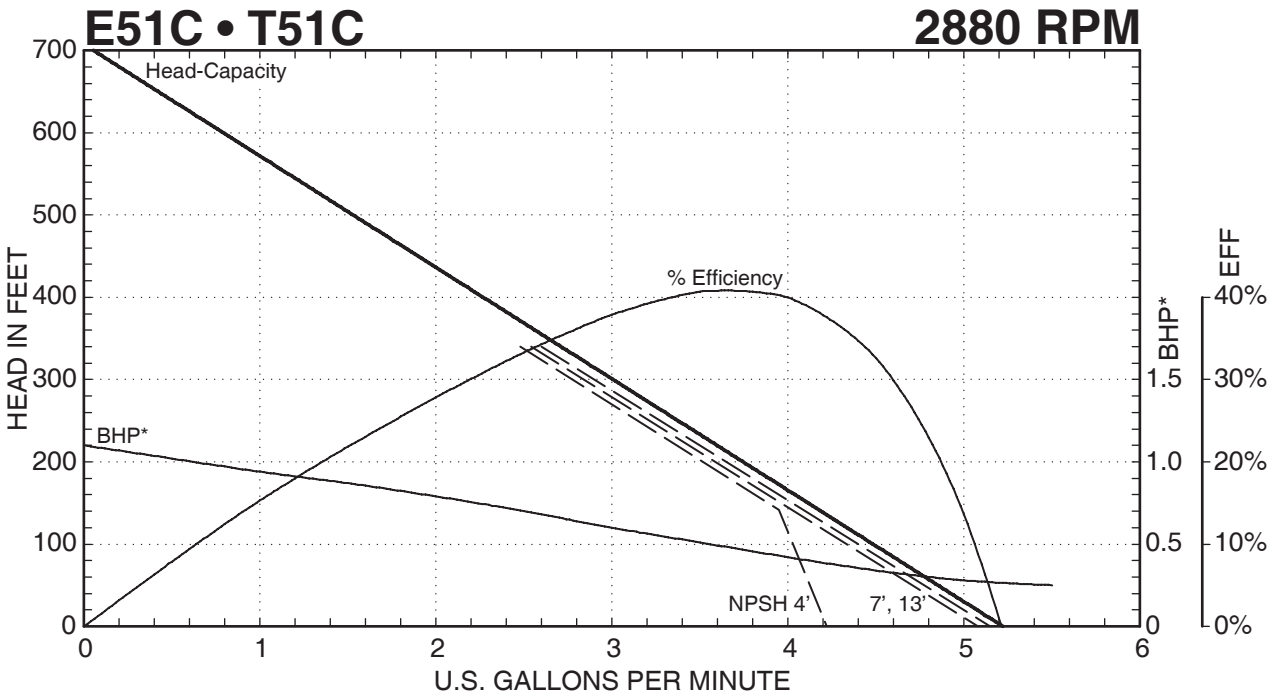
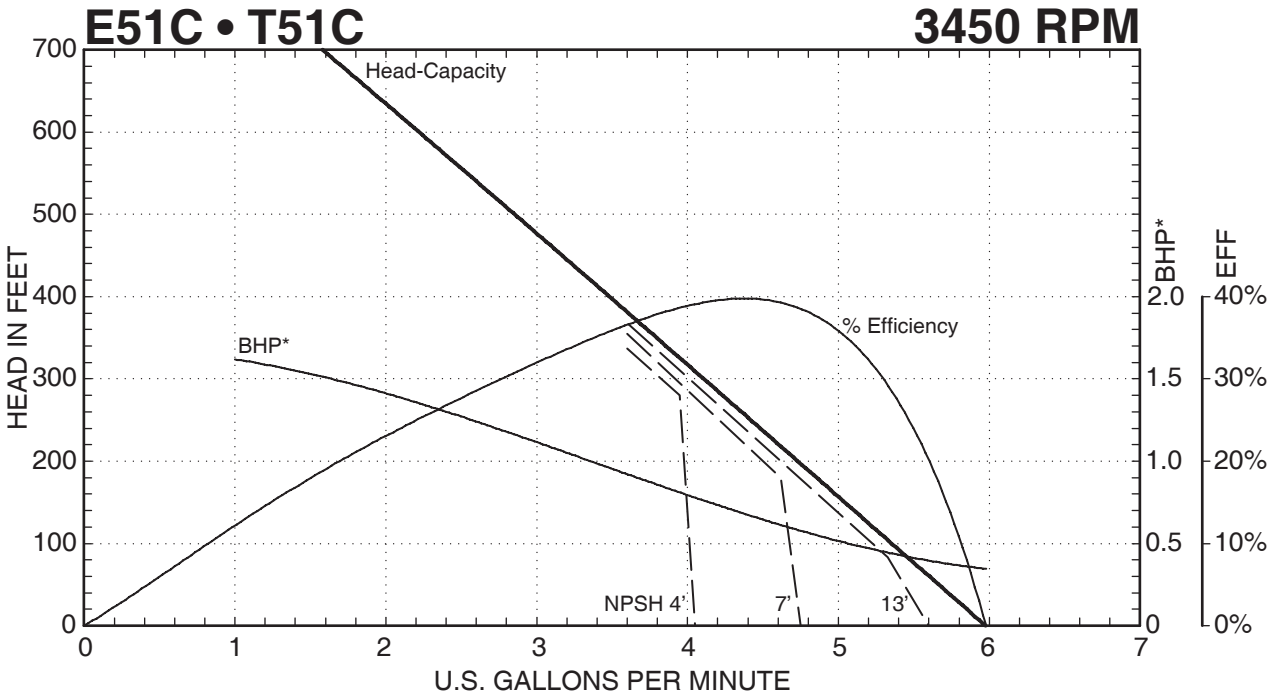
MTH PUMPS

401 West Main Street • Plano, IL 60545-1436
 Phone: 630-552-4115 • Fax: 630-552-3688
 Email: SALES@MTHPUMPS.COM
 http://WWW.MTHPUMPS.COM

T51 SERIES

Performance Curves

E51 • T51 SERIES PUMPS



— — — Indicates altered performance at NPSH Available
 * Horsepower data is valid for 1.0 specific gravity fluids only

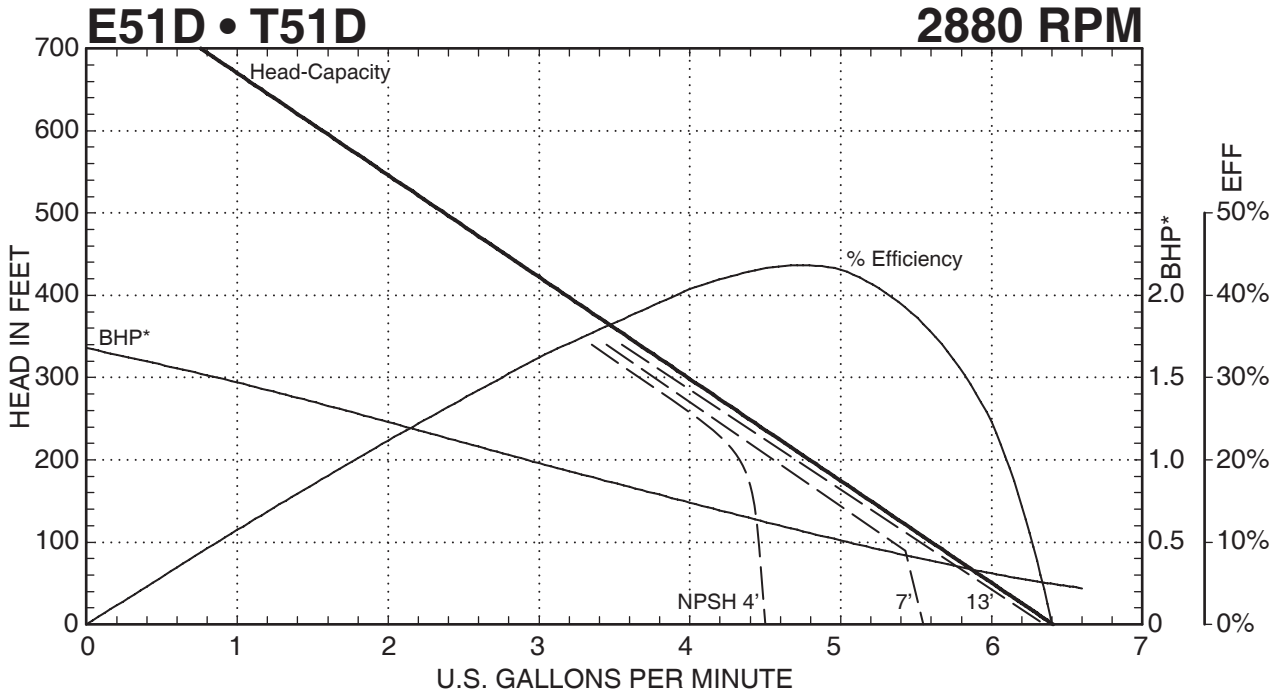
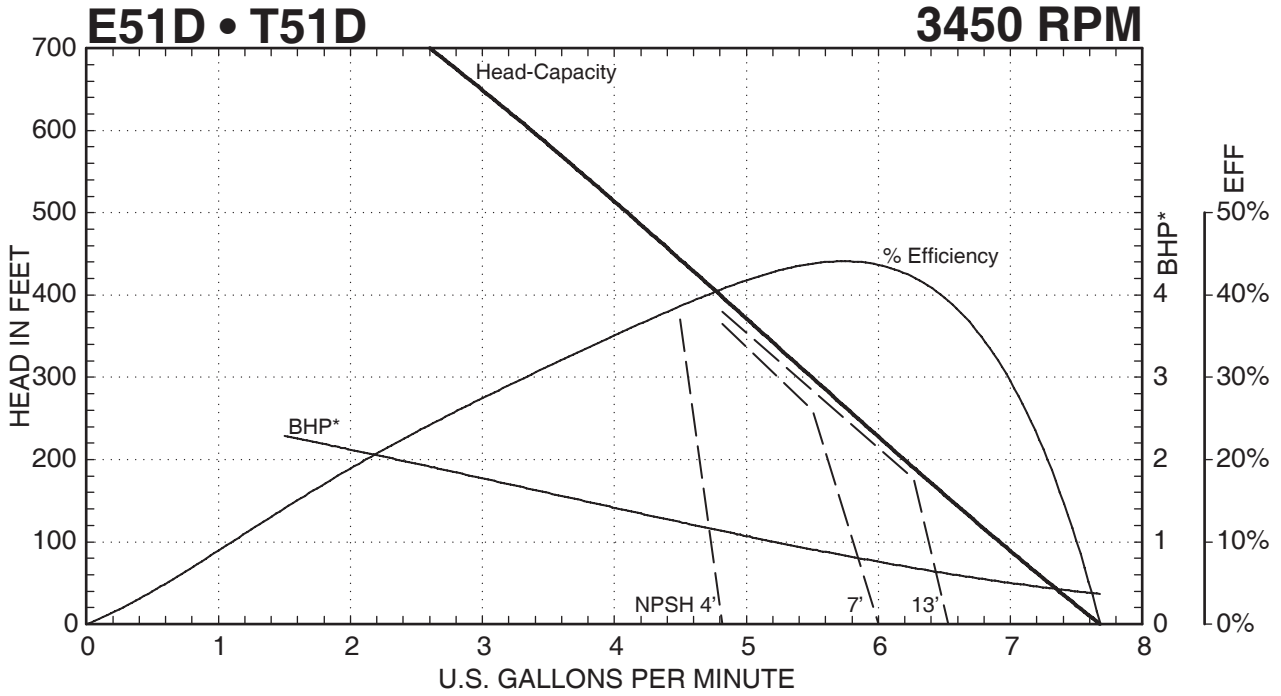


MTH PUMPS
 401 West Main Street • Plano, IL 60545-1436
 Phone: 630-552-4115 • Fax: 630-552-3688
 Email: SALES@MTHPUMPS.COM
 http://WWW.MTHPUMPS.COM

T51 SERIES

Performance Curves

E51 • T51 SERIES PUMPS



— — — — — Indicates altered performance at NPSH Available
 * Horsepower data is valid for 1.0 specific gravity fluids only



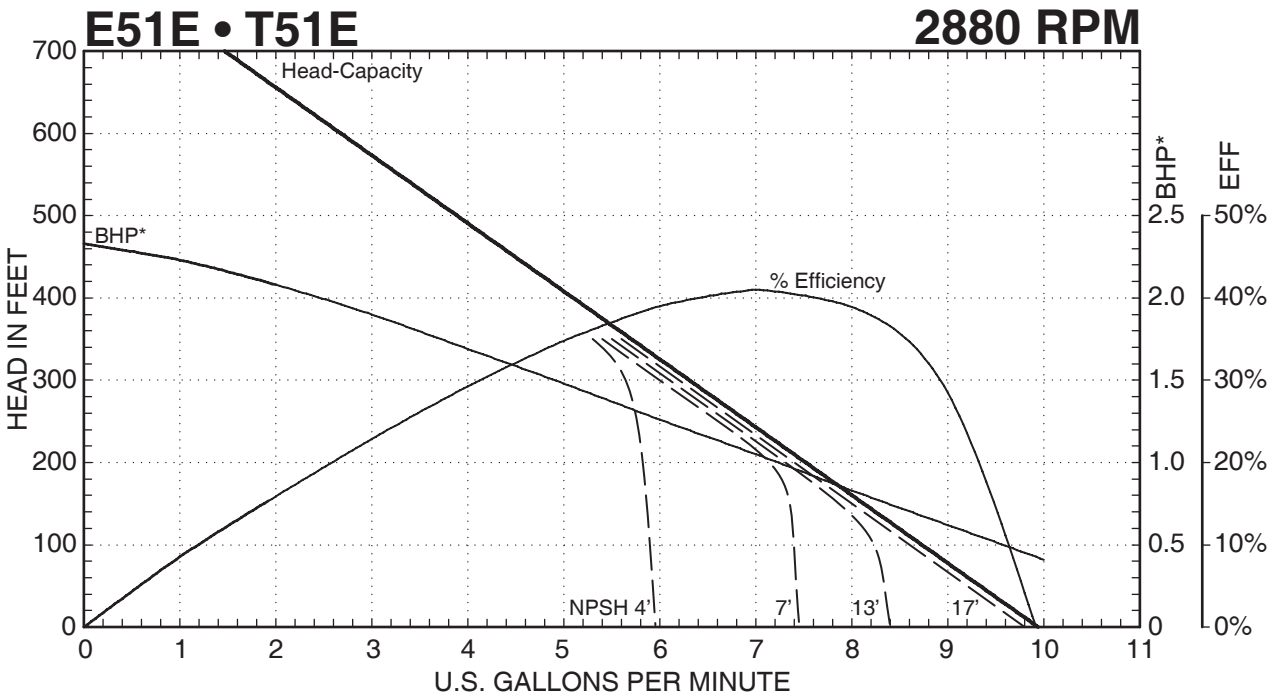
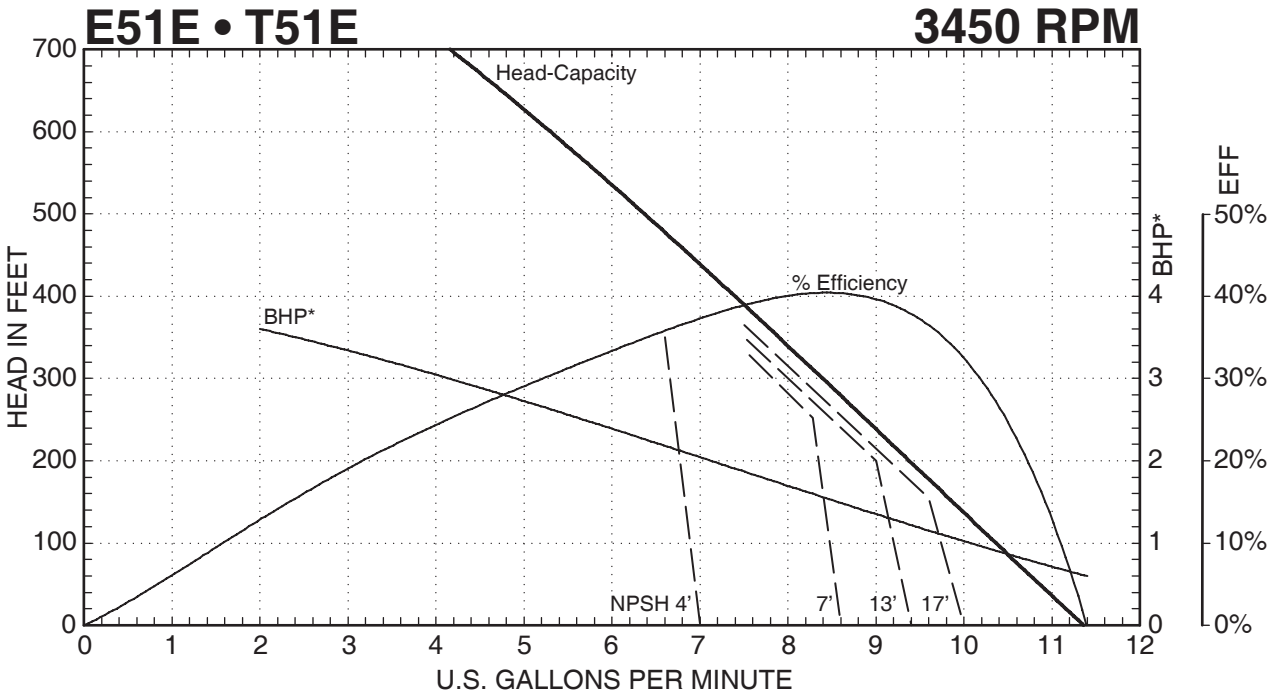
MTH PUMPS

401 West Main Street • Plano, IL 60545-1436
 Phone: 630-552-4115 • Fax: 630-552-3688
 Email: SALES@MTHPUMPS.COM
 http://WWW.MTHPUMPS.COM

T51 SERIES

Performance Curves

E51 • T51 SERIES PUMPS



— — — Indicates altered performance at NPSH Available
 * Horsepower data is valid for 1.0 specific gravity fluids only

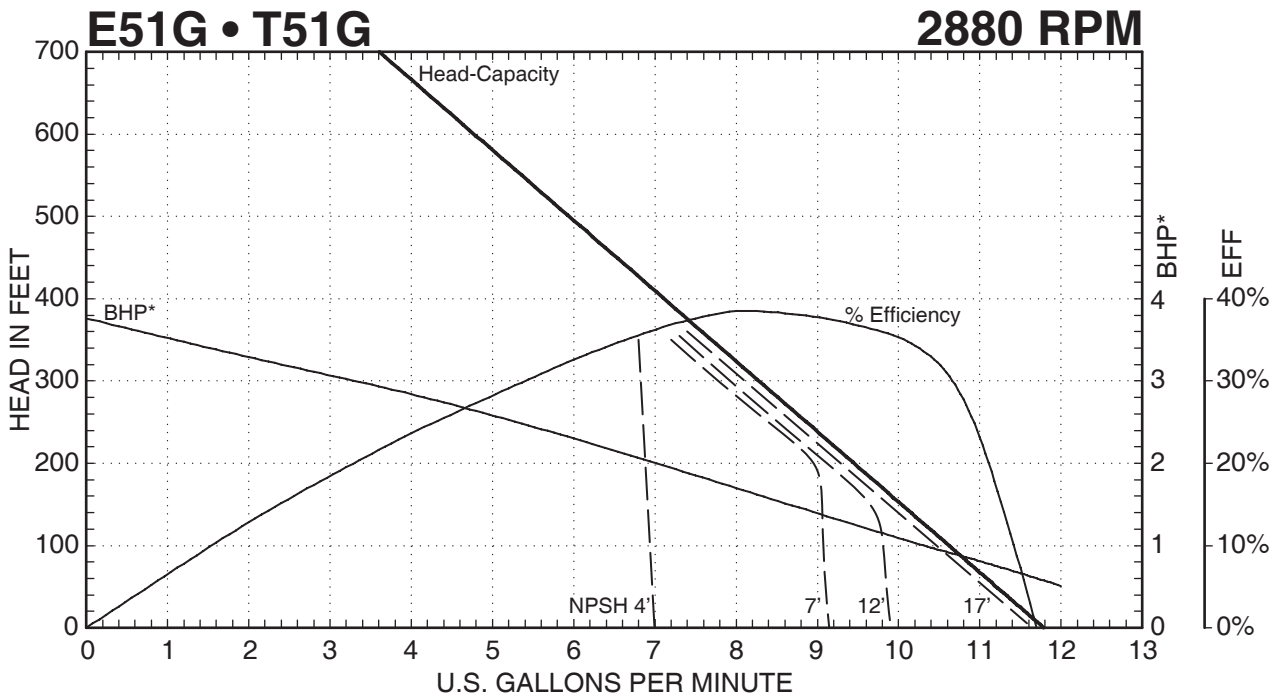
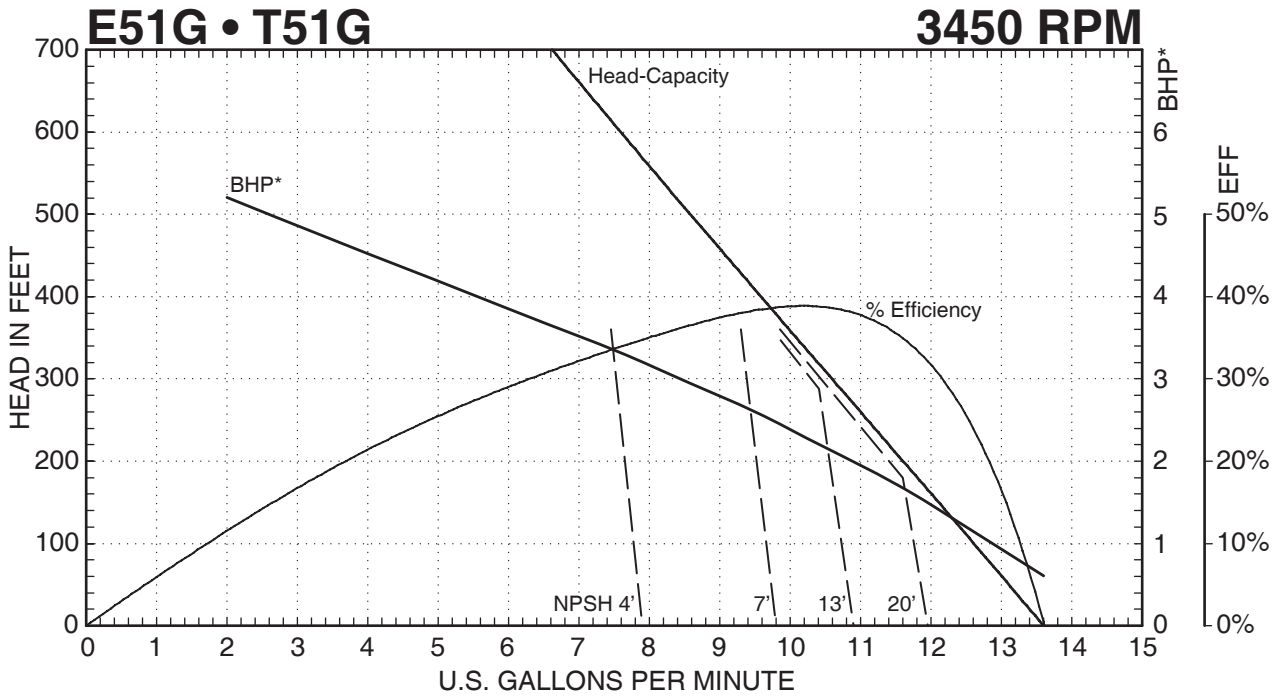
MTH PUMPS

401 West Main Street • Plano, IL 60545-1436
 Phone: 630-552-4115 • Fax: 630-552-3688
 Email: SALES@MTHPUMPS.COM
<http://WWW.MTHPUMPS.COM>

T51 SERIES

Performance Curves

E51 • T51 SERIES PUMPS



— — — Indicates altered performance at NPSH Available
 * Horsepower data is valid for 1.0 specific gravity fluids only



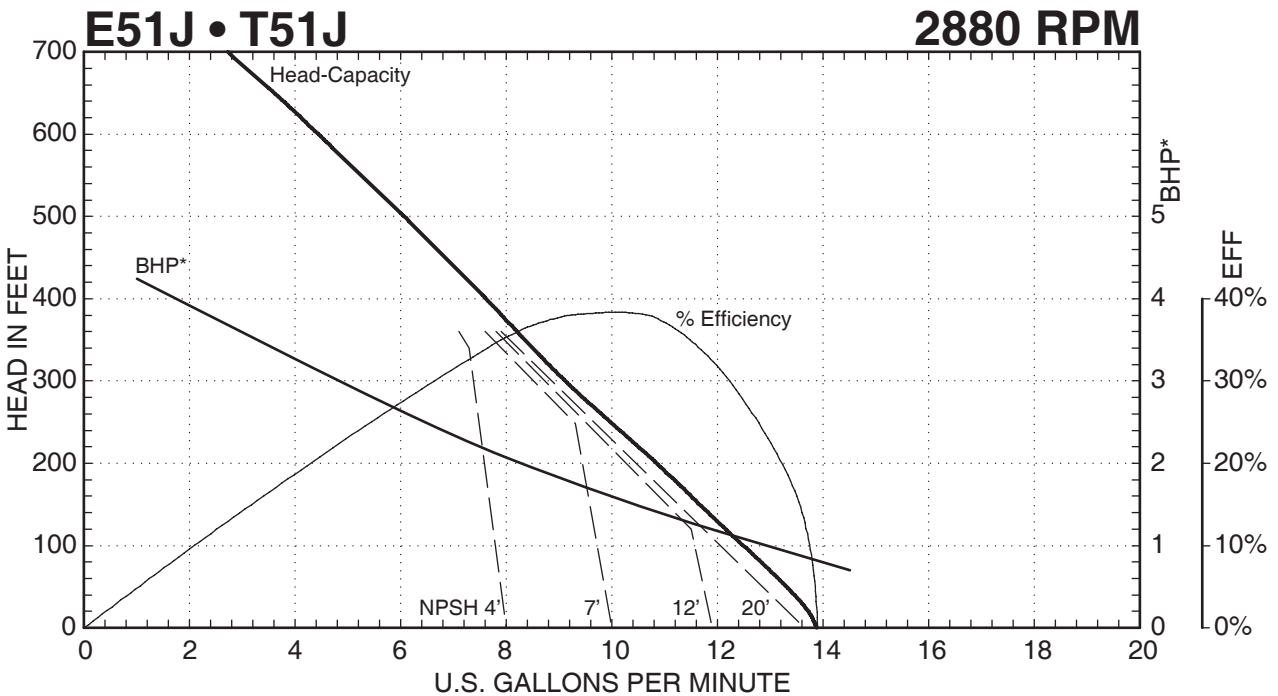
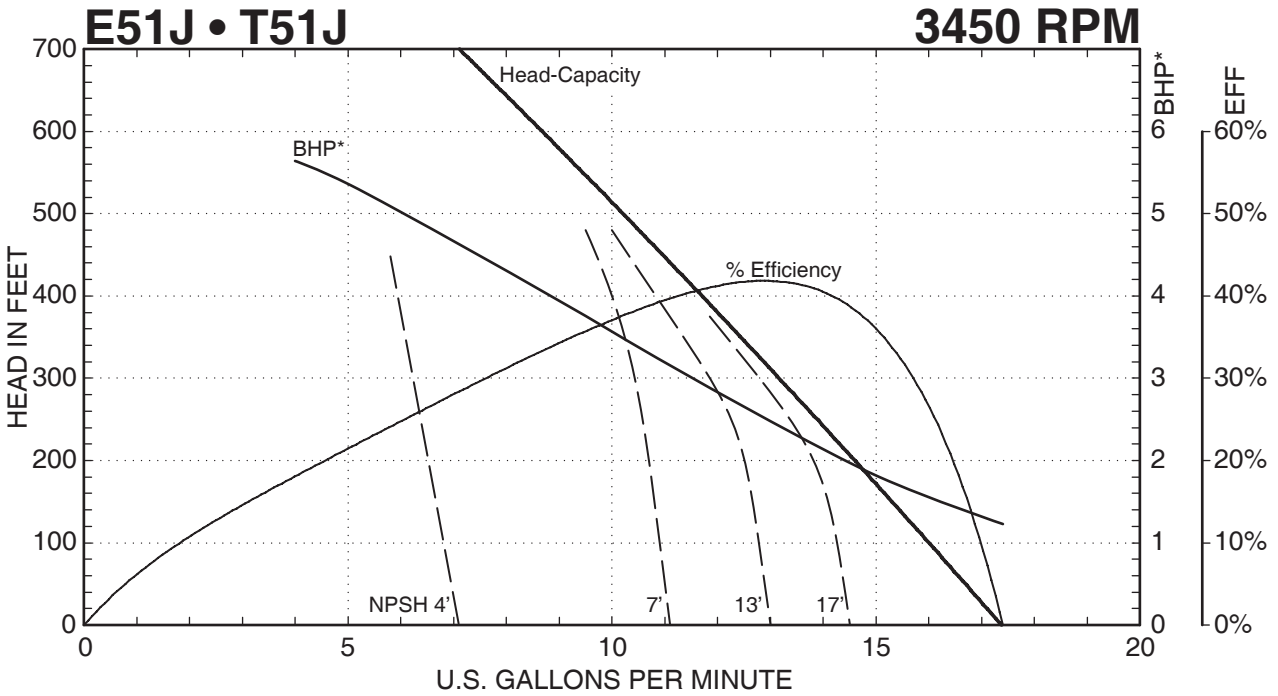
MTH PUMPS

401 West Main Street • Plano, IL 60545-1436
 Phone: 630-552-4115 • Fax: 630-552-3688
 Email: SALES@MTHPUMPS.COM
<http://WWW.MTHPUMPS.COM>

T51 SERIES

Performance Curves

E51 • T51 SERIES PUMPS



— — — Indicates altered performance at NPSH Available
 * Horsepower data is valid for 1.0 specific gravity fluids only

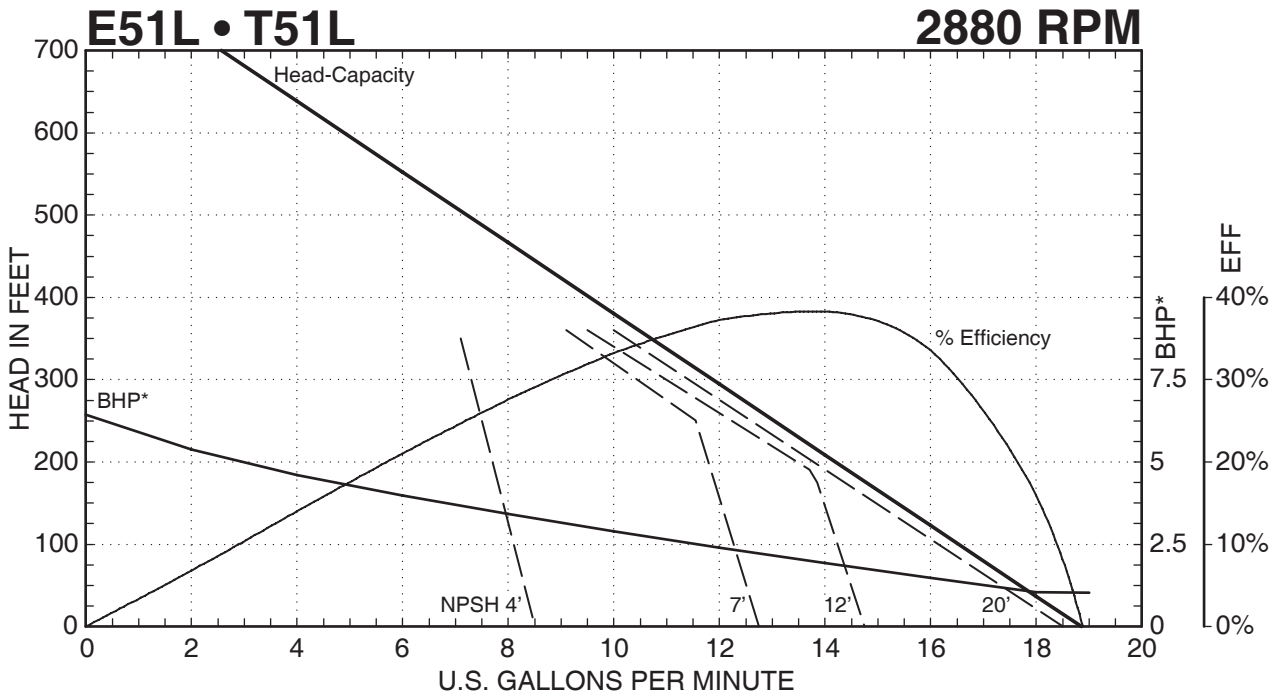
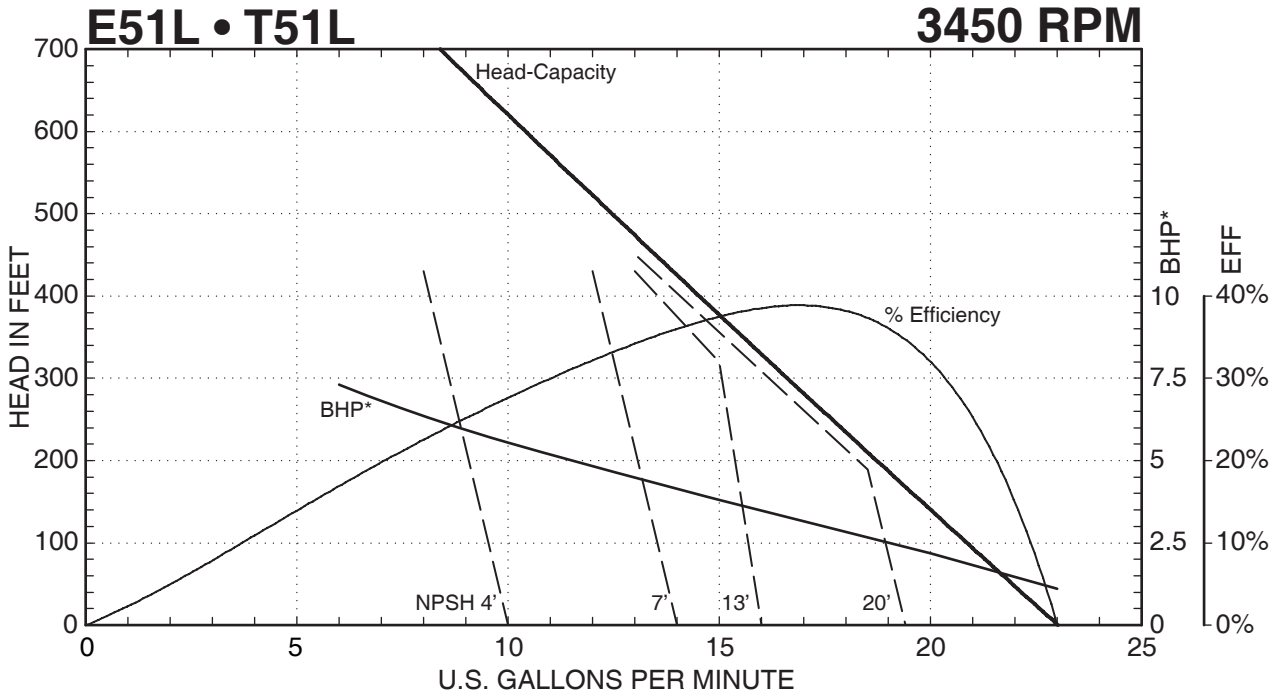
MTH PUMPS

401 West Main Street • Plano, IL 60545-1436
 Phone: 630-552-4115 • Fax: 630-552-3688
 Email: SALES@MTHPUMPS.COM
 http://WWW.MTHPUMPS.COM

T51 SERIES

Performance Curves

E51 • T51 SERIES PUMPS



— — — Indicates altered performance at NPSH Available
 * Horsepower data is valid for 1.0 specific gravity fluids only



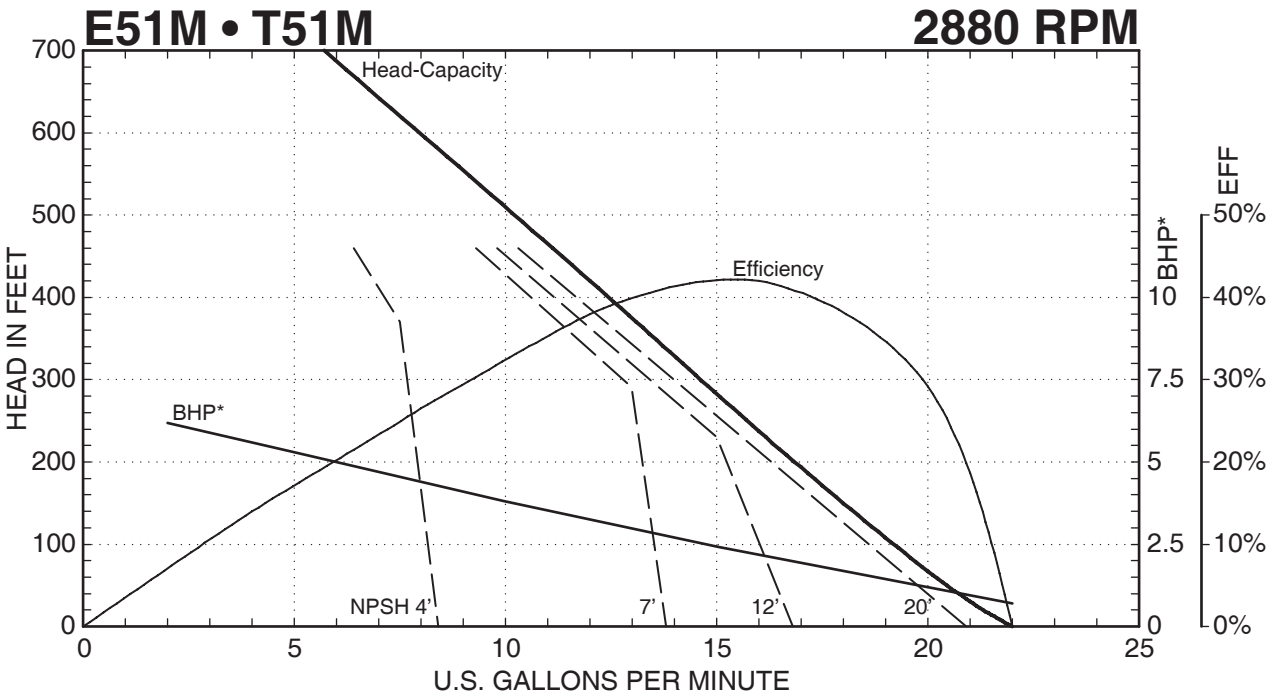
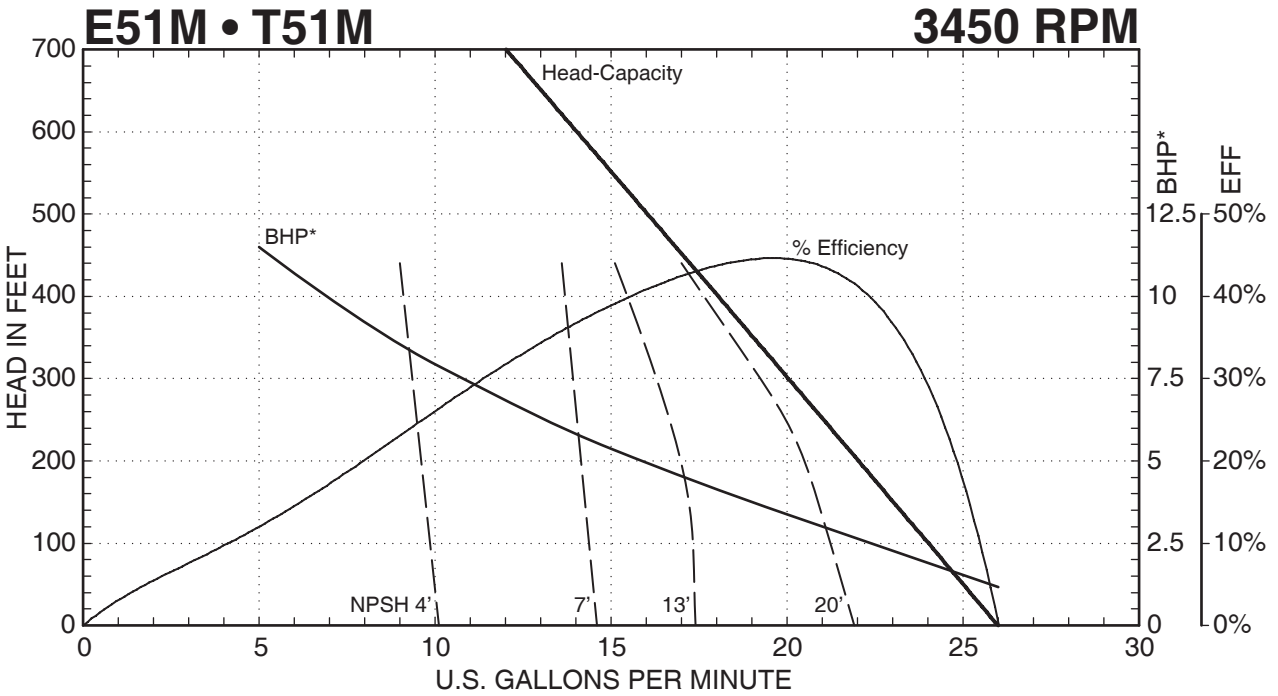
MTH PUMPS

401 West Main Street • Plano, IL 60545-1436
 Phone: 630-552-4115 • Fax: 630-552-3688
 Email: SALES@MTHPUMPS.COM
<http://WWW.MTHPUMPS.COM>

T51 SERIES

Performance Curves

E51 • T51 SERIES PUMPS



— — — Indicates altered performance at NPSH Available
 * Horsepower data is valid for 1.0 specific gravity fluids only

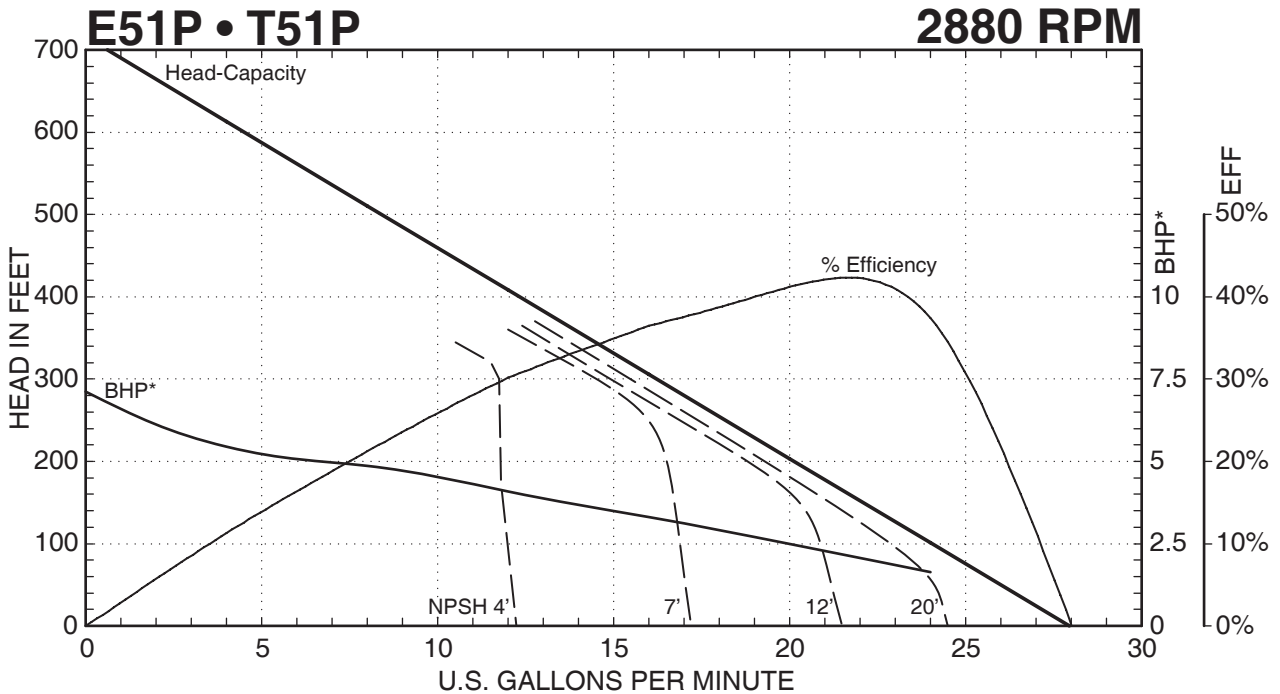
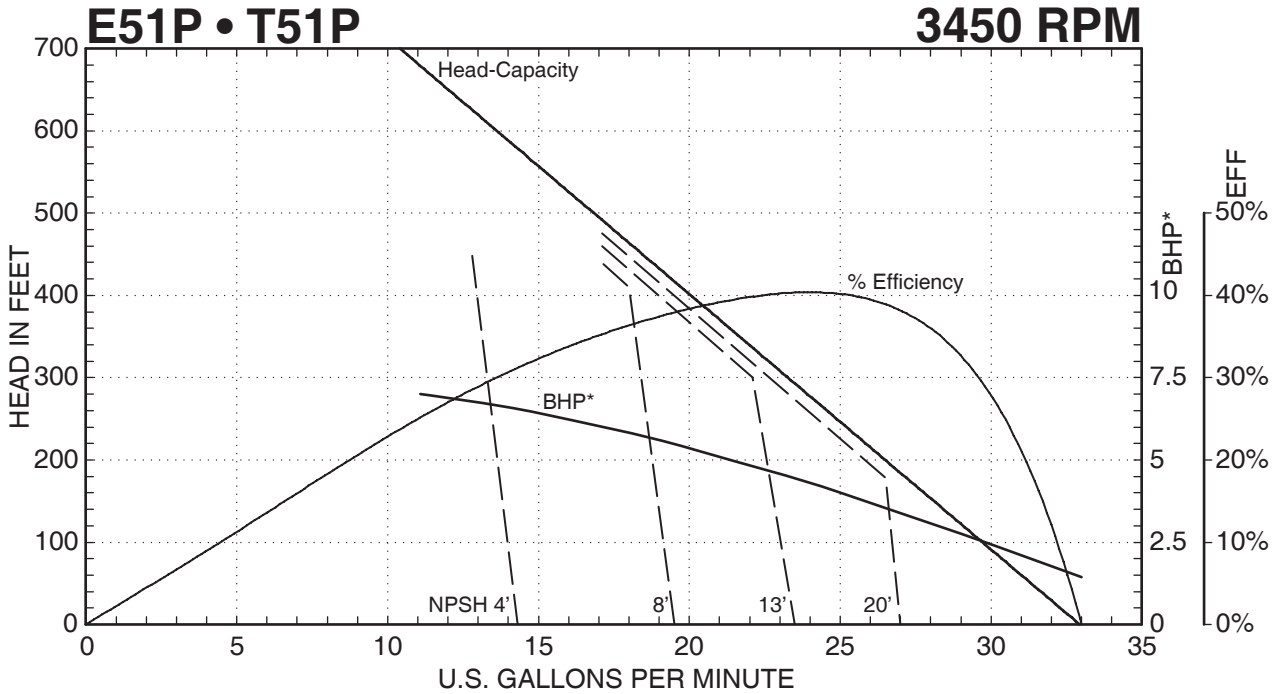


401 West Main Street • Plano, IL 60545-1436
 Phone: 630-552-4115 • Fax: 630-552-3688
 Email: SALES@MTHPUMPS.COM
<http://WWW.MTHPUMPS.COM>

T51 SERIES

Performance Curves

E51 • T51 SERIES PUMPS



MTH PUMPS

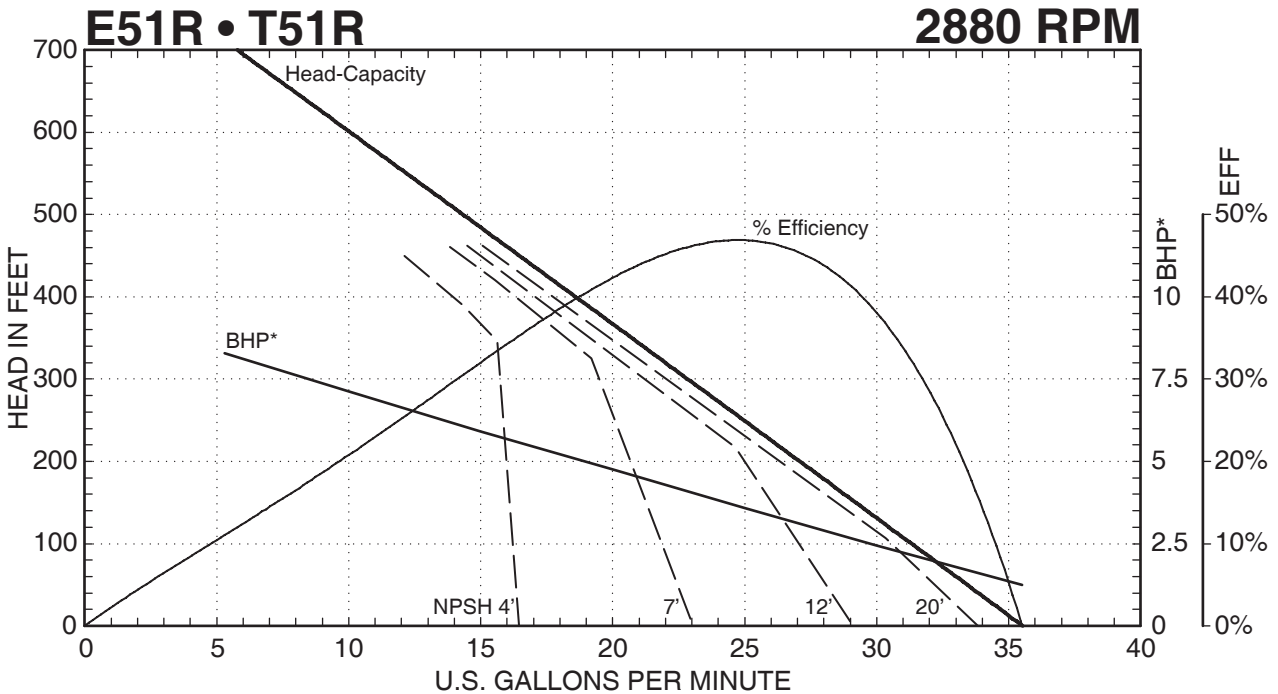
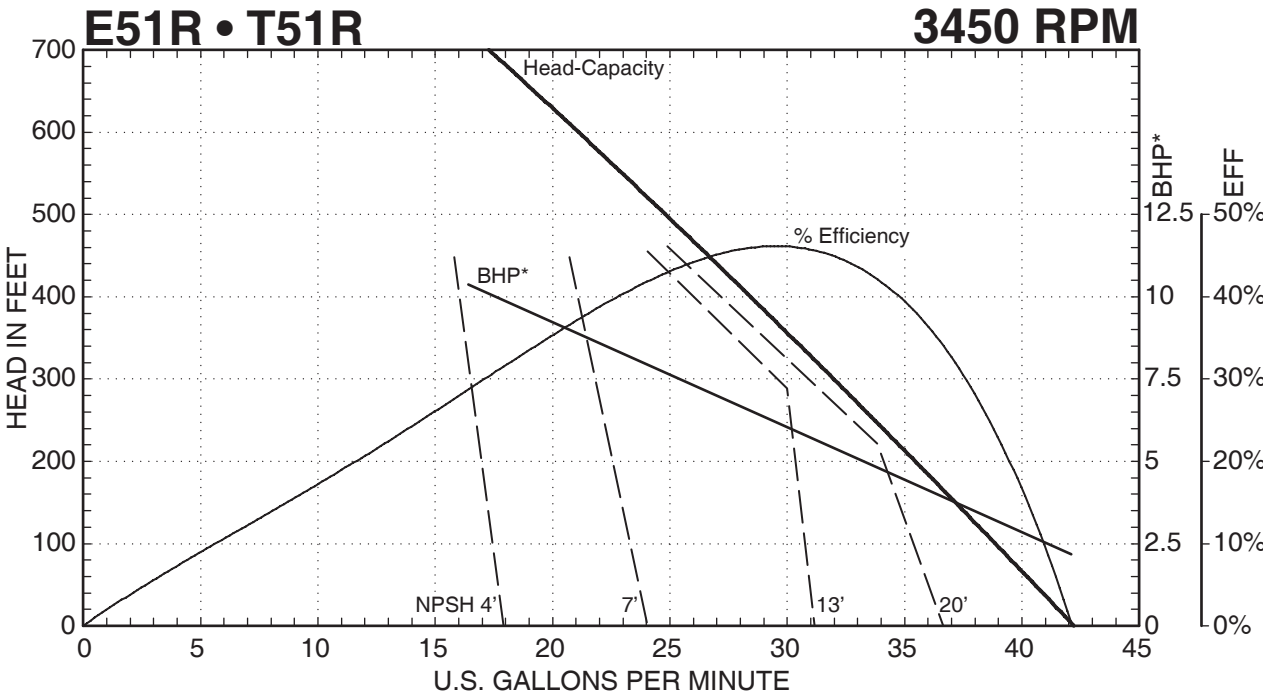
401 West Main Street • Plano, IL 60545-1436
 Phone: 630-552-4115 • Fax: 630-552-3688
 Email: SALES@MTHPUMPS.COM
 http://WWW.MTHPUMPS.COM

— — — Indicates altered performance at NPSH Available
 * Horsepower data is valid for 1.0 specific gravity fluids only

T51 SERIES

Performance Curves

E51 • T51 SERIES PUMPS



MTH PUMPS

401 West Main Street • Plano, IL 60545-1436
 Phone: 630-552-4115 • Fax: 630-552-3688
 Email: SALES@MTHPUMPS.COM
 http://WWW.MTHPUMPS.COM

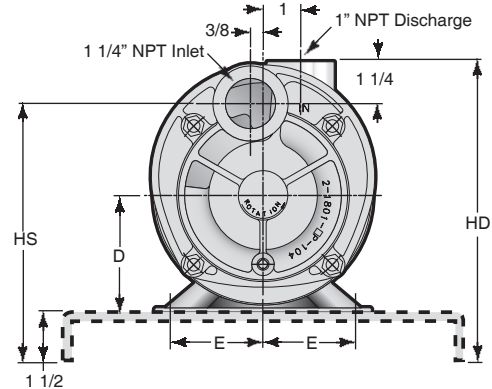
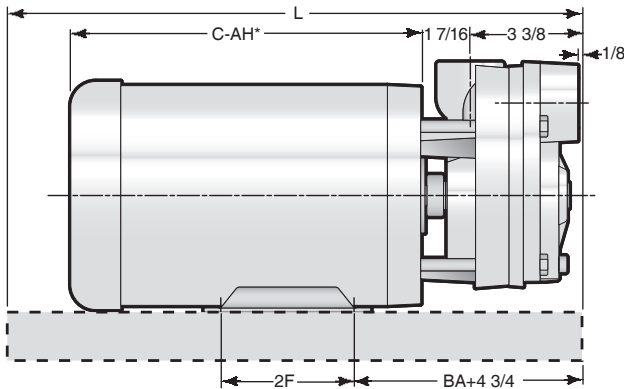
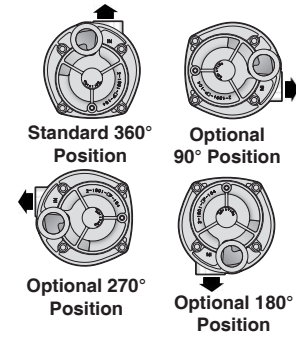
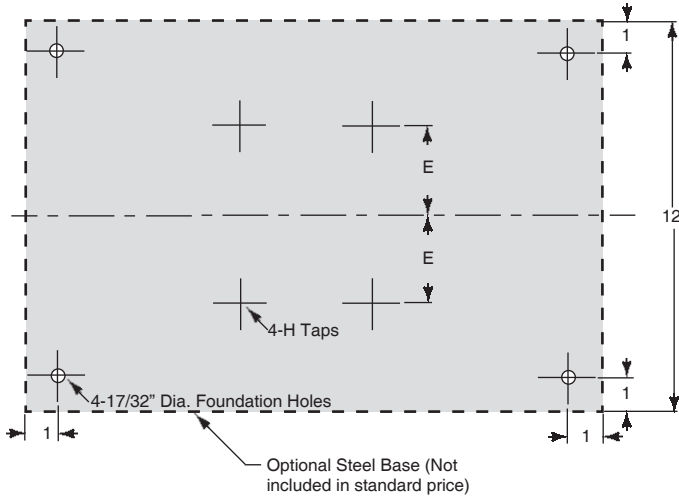
— — — Indicates altered performance at NPSH Available
 * Horsepower data is valid for 1.0 specific gravity fluids only

T51 SERIES

Dimensions

E51 • T51 SERIES PUMPS

T51 Horizontal Close Coupled



56C Thru 215TC Motor Frames

FRAME	D	BA+4 3/4	2F	E	H	HS	HD	L
56C	3 1/2	7 3/8	3	2 7/16	5/16 - 18	7 3/4	9	18
143 TC	3 1/2	7 5/8	4	2 3/4	5/16 - 18	7 3/4	9	18
145 TC	3 1/2	7 5/8	5	2 3/4	5/16 - 18	7 3/4	9	18
182 TC	4 1/2	8 3/8	4 1/2	3 3/4	3/8 - 16	8 3/4	10	20
184 TC	4 1/2	8 3/8	5 1/2	3 3/4	3/8 - 16	8 3/4	10	20
213 TC	5 1/4	9 1/8	5 1/2	4 1/4	3/8 - 16	9 1/2	10 3/4	22
215 TC	5 1/4	9 1/8	7	4 1/4	3/8 - 16	9 1/2	10 3/4	22

NOTES

All dimensions in inches. May vary ± 1/4 inches.
 Not for construction purposes unless certified.
 *See motor dimensions for "C-AH" dimension
 (Varies depending on motor enclosure).



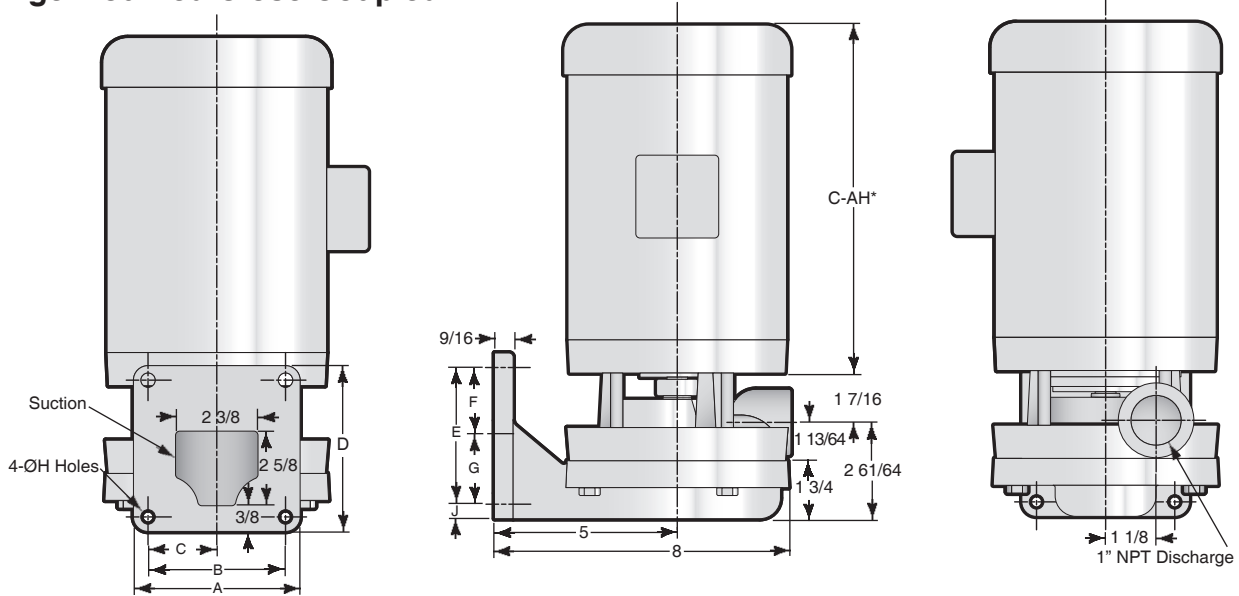
MTH PUMPS

401 West Main Street • Plano, IL 60545-1436
 Phone: 630-552-4115 • Fax: 630-552-3688
 Email: SALES@MTHPUMPS.COM
 http://WWW.MTHPUMPS.COM

T51 SERIES

Dimensions

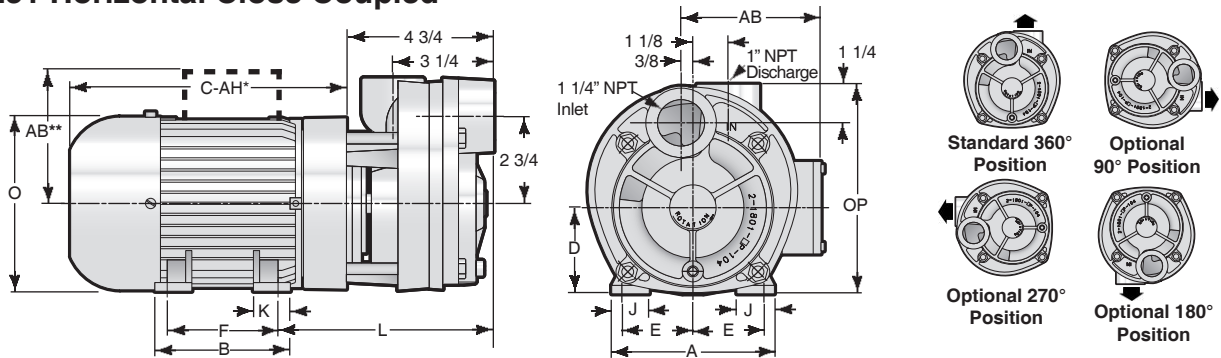
Flange Mounted Close Coupled



56C Thru 215TC Motor Frames

FLANGE STYLE	A	B	C	D	E	G	H	J
AU (7 1/2 x 4 1/2)	7 1/2	6 1/4	3 1/8	4 1/2	3 1/4	1 1/8	9/16	5/8
DB (4 1/2 x 4 1/2)	4 1/2	3 1/4	1 5/8	4 1/2	3 1/4	1 1/8	1/2	5/8
FE (7 3/4 x 4 3/4)	7 1/2	6 1/4	3 1/8	4 1/2	3 1/2	1 1/4	9/16	1/2
PA (6 1/2 x 3 3/4)	6 1/2	5 1/2	2 3/4	3 3/4	2 5/8	1 1/8	9/16	5/8
SH & BU (6 1/4 x 4)	6 1/4	5	2 1/2	4	2 3/4	1 1/8	9/16	5/8
SK (6 1/8 x 4 1/8)	6 1/8	5	2 1/2	4 1/8	2 11/16	1	9/16	3/4
ST (5 x 5)	5	3 3/4	1 7/8	5	3 3/4	1 1/8	1/2	5/8
WI (5 x 5)	5	4 1/8	2 1/16	5	4 1/8	1 5/16	7/16	7/16

E51 Horizontal Close Coupled



48 Thru 90 Motor Frames

FRAME	A	AB	B	D	E	F	J	K	L	O	OP
48	6.14	---	3.54	3.00	2.12	2.72	---	---	7.33	5.64	7.00
56	6.53	---	6.50	3.50	2.44	3.00	---	---	7.98	6.54	7.50
71	5.22	4.82	4.33	2.80	2.20	3.54	1.20	1.19	7.2	5.61	6.80
80	5.93	5.49	5.90	3.15	2.46	3.94	1.39	1.38	7.58	6.26	7.15
90	6.46	5.91**	5.90	3.54	2.76	4.92	1.40	1.65	7.25	7.02	7.54

**Denotes conduit box mounted on top(90 frame only)

NOTES

All dimensions in inches. May vary ± 1/4 inches.
 Not for construction purposes unless certified.
 *See motor dimensions for "C-AH" dimension
 (Varies depending on motor enclosure).

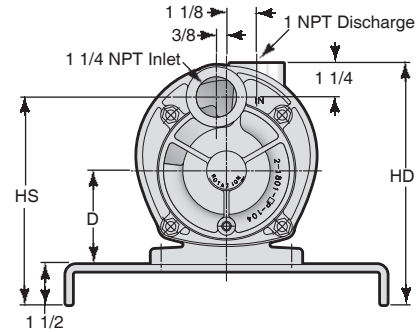
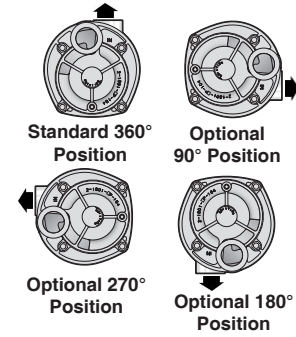
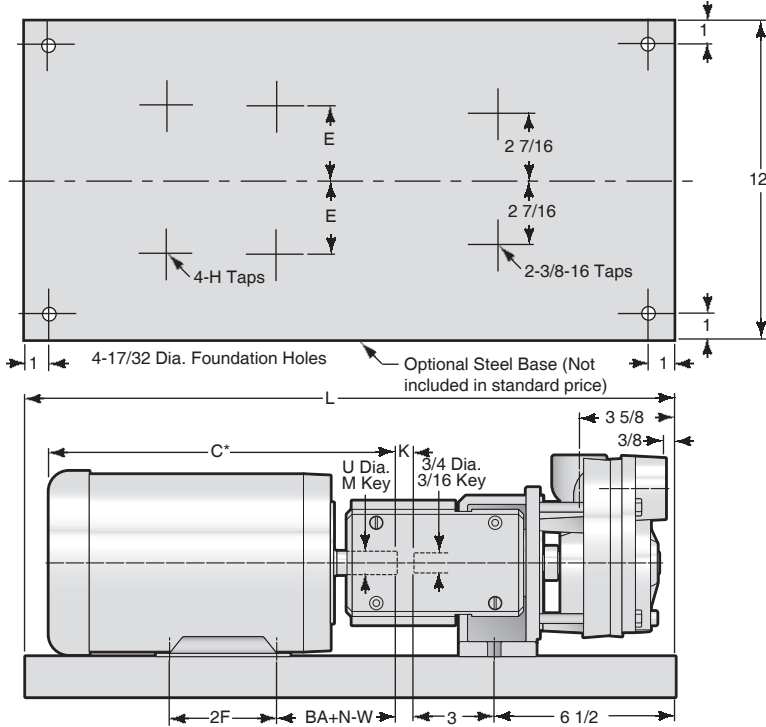


401 West Main Street • Plano, IL 60545-1436
 Phone: 630-552-4115 • Fax: 630-552-3688
 Email: SALES@MTHPUMPS.COM
 http://WWW.MTHPUMPS.COM

T51 SERIES

Dimensions

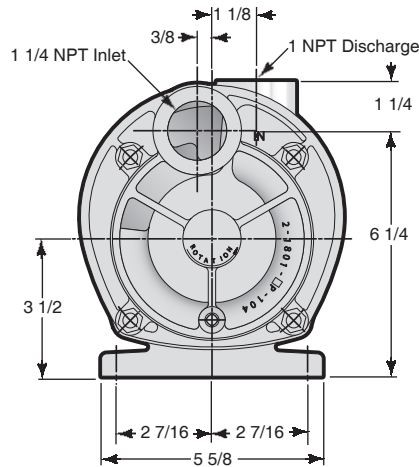
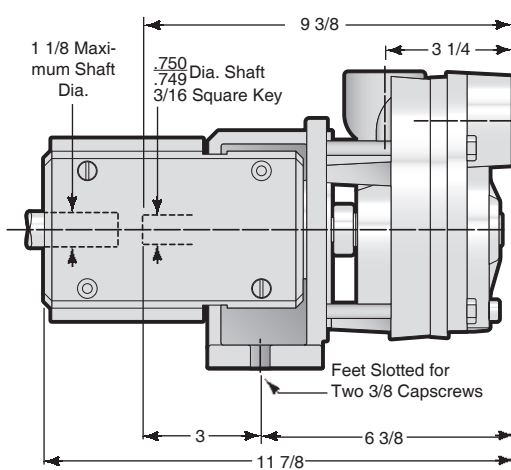
P3 Bearing Frame



56T Thru 184T Motor Frames

FRAME	D	U	BA+N-W	2F	E	H	K	HS	HD	L	M
56 T	3 1/2	5/8	4 5/8	3	2 7/16	5/16 - 18	5/8	7 3/4	9	24	3/16
143 T	3 1/2	7/8	4 1/2	4	2 3/4	5/16 - 18	5/8	7 3/4	9	24	3/16
145 T	3 1/2	7/8	4 1/2	5	2 3/4	5/16 - 18	5/8	7 3/4	9	24	3/16
182 T	4 1/2	1 1/8	5 1/2	4 1/2	3 3/4	3/8 - 16	3/4	8 3/4	10	26	1/4
184 T	4 1/2	1 1/8	5 1/2	5 1/2	3 3/4	3/8 - 16	3/4	8 3/4	10	26	1/4

P3 Bearing Pedestal



NOTES

All dimensions in inches. May vary ± 1/4 inches.
 Not for construction purposes unless certified.
 *See motor dimensions for "C-AH" dimension
 (Varies depending on motor enclosure).



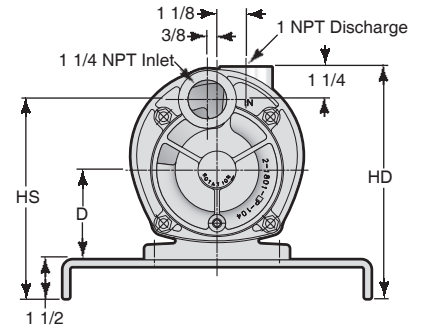
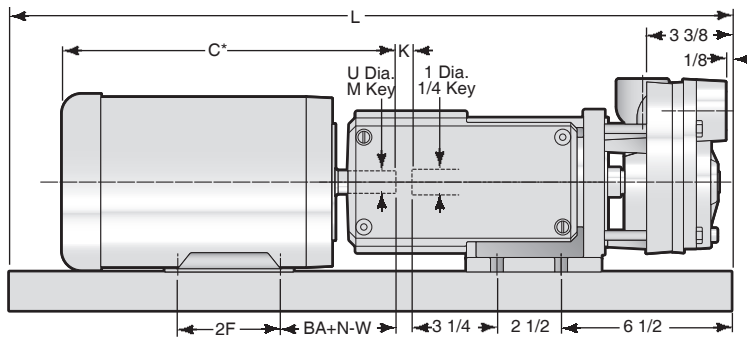
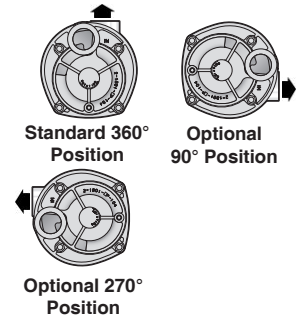
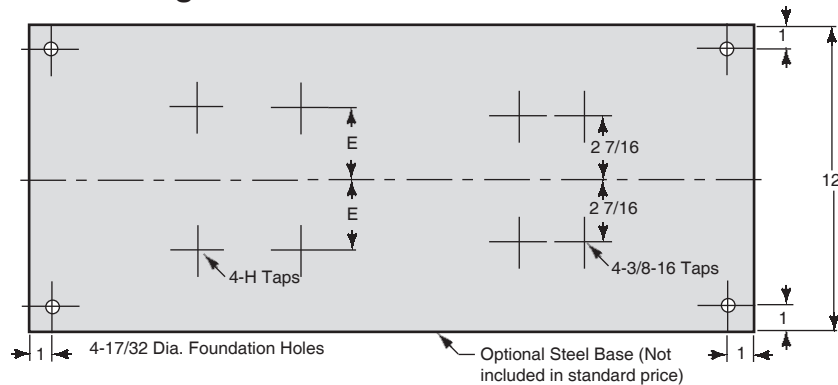
MTH PUMPS

401 West Main Street • Plano, IL 60545-1436
 Phone: 630-552-4115 • Fax: 630-552-3688
 Email: SALES@MTHPUMPS.COM
 http://WWW.MTHPUMPS.COM

T51 SERIES

Dimensions

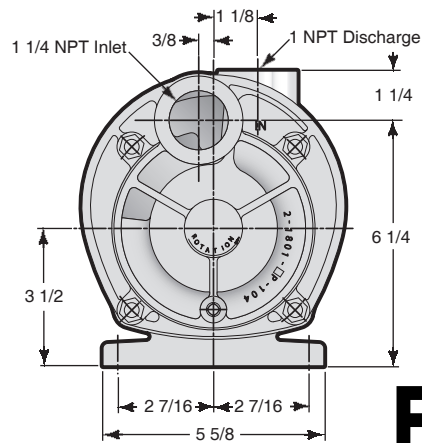
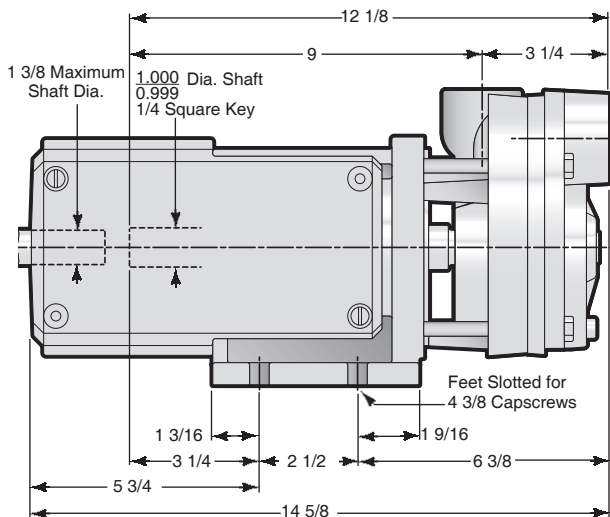
P15 Bearing Frame



143T Thru 215T Motor Frames

FRAME	D	U	BA+N-W	2F	E	H	K	HS	HD	L	M
143 T	3 1/2	7/8	4 1/2	4	2 3/4	5/16 - 18	5/8	7 3/4	9	28	3/16
145 T	3 1/2	7/8	4 1/2	5	2 3/4	5/16 - 18	5/8	7 3/4	9	28	3/16
182 T	4 1/2	1 1/8	5 1/2	4 1/2	3 3/4	3/8 - 16	3/4	8 3/4	10	30	1/4
184 T	4 1/2	1 1/8	5 1/2	5 1/2	3 3/4	3/8 - 16	3/4	8 3/4	10	30	1/4
213 T	5 1/4	1 3/8	6 7/8	5 1/2	4 1/4	3/8 - 16	7/8	9 1/2	10 3/4	33	5/16
215 T	5 1/4	1 3/8	6 7/8	7	4 1/4	3/8 - 16	7/8	9 1/2	10 3/4	33	5/16

P15 Bearing Pedestal



NOTES

All dimensions in inches. May vary ± 1/4 inches.
 Not for construction purposes unless certified.
 *See motor dimensions for "C-AH" dimension
 (Varies depending on motor enclosure).



401 West Main Street • Plano, IL 60545-1436
 Phone: 630-552-4115 • Fax: 630-552-3688
 Email: SALES@MTHPUMPS.COM
 http://WWW.MTHPUMPS.COM