

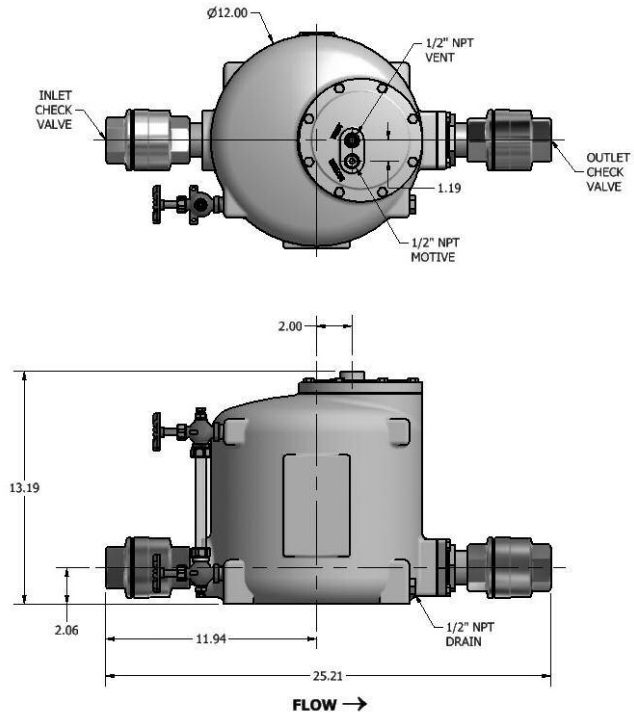
NON-ELECTRIC CONDENSATE PUMPS

PMPT

Watson McDaniel reserves the right to change the designs and/or materials of its products without notice.
©2010 Watson McDaniel Company

Pressure Motive Pump & Trap Combination (Internal Trap)

PUMPS



Model	PMPT
Body	Ductile Iron
Cover	Stainless Steel
Sizes	1", 1 1/2"
Check Valves	Stainless Steel
PMO Max. Operating Pressure	125 PSIG
TMO Max. Operating Temperature	366°F
PMA Max. Allowable Pressure	150 PSIG @ 450°F

TYPICAL APPLICATIONS

The Model **PMPT** low-profile pressure motive pump has an internal Steam Trap for applications requiring compact design due to spatial constraints. It is an excellent choice for drainage of various modulating process equipment.

The **PMPT** allows condensate discharge under all operating conditions of modulating equipment, including vacuum.

FEATURES

- Compact, low-profile design allows for drainage of equipment positioned close to the floor
- The **PMPT** provides condensate drainage for modulating equipment, preventing inefficient and dangerous system stall
- Equipped with our proven, Patented "Snap-Assure" mechanism which extends the useful life of the pump
- Internal mechanism can be removed from the top of the pump while pump remains piped in line
- Mechanism incorporates heat-treated stainless steel wear items
- Dual compression springs made from Inconel-X-750 for high-temperature, corrosive service

MATERIALS

Body	Ductile Iron SA-395
Cover	Stainless Steel CF8
Cover Gasket	Garlock
Cover Bolts	Steel
Inlet Valve	Hardened Stainless Steel 40 Rc
Vent Valve	Hardened Stainless Steel 40 Rc
Ball Float	300 Stainless Steel
Check Valves	Stainless Steel 316SS CF3
Springs	Inconel-X-750
Other Internal Components	Stainless Steel

OPTIONS

- Horizontal pipe reservoir (recommended)
- Motive and vent piping
- Motive piping components such as steam trap, strainer and regulator
- Packaged systems available with reservoir, base and skid
- ASME Code Stamp available upon request

Patent Pending

NON-ELECTRIC CONDENSATE PUMPS

PMPT

Pressure Motive Pump & Trap Combination (Internal Trap)

Capacity Operating in Pump Mode

CAPACITIES – Condensate (lbs/hr) Using steam as a motive pressure			
Motive Pressure (PSIG)	Total Back Pressure (PSIG)	Check Valve Size	
		1" x 1" 6" Head	1 1/2" x 1 1/2" 6" Head
5	2	150	258
10	5	302	523
10	2	409	704
25	15	791	1380
25	10	1020	1780
25	5	1224	2110
50	40	839	1470
50	25	1012	1770
50	10	1318	2280
75	60	810	1420
75	40	1122	1970
75	15	1241	2150
100	80	490	859
100	60	969	1700
100	40	1209	2100
100	15	1318	2260
125	115	146	256
125	100	371	649
125	80	634	1110
125	60	961	1680
125	40	1054	1830
125	15	1046	1780

Capacity Operating in Trap Mode

TRAP CAPACITIES	
Differential Pressure (PSI)	Capacity - Condensate (lbs/hr)
5	3470
10	4126
20	4907
30	5430
40	5835
50	6170
65	6588
75	6828
100	7337
125	7758

PUMPS