



FEATURES AND BENEFITS

Simple Mechanical Mechanism

- No calibration required

Wide Variety of Paddle Options

- Unequaled application versatility

Mount in Any Orientation

- Gives user the option of applying a sensor for high, intermediate, or low level control

1 or 2 SPDT Switches

- Gives user the capability to turn off or on up to two auxiliary devices

Explosion Proof & Stainless Steel Enclosures Available

- Provides more options for a wide range of applications

Special Motor Design

- Allows power to be applied all the time, producing heat and eliminating condensation inside the enclosure

Captive Screws

- No lost screws

DESCRIPTION The Roto-Bin-Dicator® is the most universal of all level sensing technologies and is the most popular level switch used in dry bulk materials. The Roto-Bin-Dicator® is a rotating paddle type, bulk material level sensor offered with a wide variety of paddle options for unequaled application versatility. It is easy to install and requires no special tools or calibration.

SPECIFICATIONS

FUNCTIONAL

Operating Power	120 VAC, 240 VAC, 24 VDC
Motor Rating	4 watts, 1 rpm
Fail-Safe Circuitry	Low level fail safe
Operating Temp	-40° to 200° F (-40° C to 93° C)

PHYSICAL

Drive Shaft Assembly	Precision machined shaft with two shielded ball bearings
Shaft Seal	Teflon®/Viton® Lipseal rated 1/2 micron @ 30 psi (2.1 kg/cm ²) @ 400° F (204° C)
Housing and Cover	Dust-tight and weatherproof (NEMA 4X) polyester coated aluminum casting
Mounting Plate	8" outside diameter with 1 1/4" NPT pipe threaded coupling; standard polyester coated mild steel; optional 304 SS
Rigid Shaft and Paddle	Metal parts of all designs are 304 SS
Flex Shaft	Available in neoprene, 155° F (68° C) or silicone, 400° F (204° C) coatings
Shipping Weight	Aluminum housing 10 lbs SS housing 16 lbs

APPROVALS

UL: General Purpose
Class I, Groups C and D; Class II, Groups E, F and G; Type 4, 4x
CSA: General Purpose
Class I, Groups C and D; Class II, Groups E, F and G

NOTE: Consult Factory where the housing temperature will be above 200° F (93° C). Shaft extensions and guards are available in galvanized, T-303 SS and T-316 SS. The Roto-Bin-Dicator® is also available with the Super-Safe-Plus option.

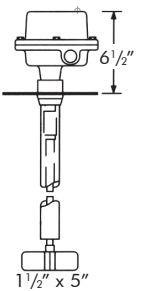
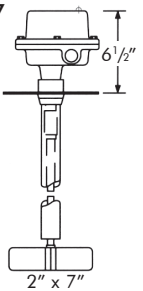
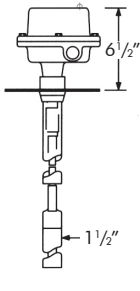
HOW TO ORDER

R	<p>SS = SS mounting plate, otherwise leave blank</p> <p>TYPE</p> <p>1 = Type 1: Large 4-vane paddle, molded neoprene flexible shaft</p> <p>2 = Type 2: 4-vane paddle, molded neoprene flexible shaft</p> <p>3 = Type 3: Single vane paddle</p> <p>3a = Type 3a: Single vane paddle with 45° cut</p> <p>3i = Type 3i: Single vane paddle, insert through 1 1/4" mounting coupling</p> <p>4 = Type 4: Standard 4-vane paddle</p> <p>5 = Type 5: Large 4-vane paddle</p> <p>6 = Type 6: 4-vane paddle with shaft coupling for shaft extension</p> <p>7 = Type 7: Large 4-vane paddle with shaft coupling for shaft extension</p> <p>8 = Type 8: Neoprene or SS multiplex paddle with shaft coupling for shaft extension</p> <p>9 = Type 9: Collapsible 2-vane SS paddle</p> <p>10 = Type 10: Collapsible 2-vane SS paddle, flexible shaft</p> <p>POWER PAK</p> <p>H = 120 VAC, 1SPDT, Weather Proof NEMA 4X</p> <p>AH = 120 VAC, 2SPDT, Weather Proof NEMA 4X</p> <p>BH = 240 VAC, 1SPDT, Weather Proof NEMA 4X</p> <p>CH = 240 VAC, 2SPDT, Weather Proof NEMA 4X</p> <p>VDC = 24 VDC, 1SPDT, Weather Proof NEMA 4X</p> <p>AVDC = 24 VDC, 2SPDT, Weather Proof NEMA 4X</p> <p>XH = 120 VAC, 1SPDT, Explosion-Proof Nema 7, 9</p> <p>XAH = 120 VAC, 2SPDT, Explosion-Proof Nema 7, 9</p> <p>XBH = 240 VAC, 1SPDT, Explosion-Proof Nema 7, 9</p> <p>XCH = 240 VAC, 2SPDT, Explosion-Proof Nema 7, 9</p>
---	--

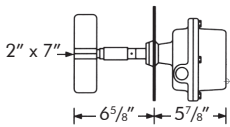
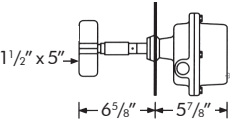
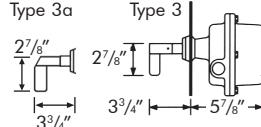
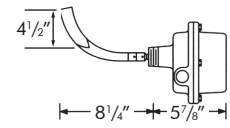
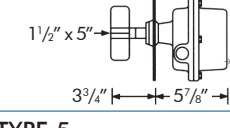
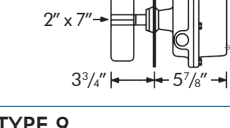
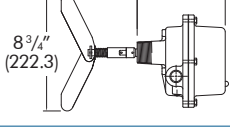
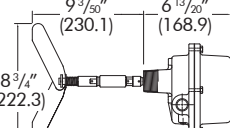
ORIGINAL ROTO BINDICATOR®

Note: Stainless Steel versions available. Consult Factory.

Top Bin Mounting

TYPE 6	TYPE 7	TYPE 8
		
<p>4-vane paddle with shaft coupling for shaft extension</p> <p>Custom configuration for most top-mounted applications.</p>	<p>Large 4-vane paddle with shaft coupling for shaft extension</p> <p>Custom top-mount configuration with large paddle for materials weighing less than 30 lbs/ft³.</p>	<p>Neoprene or SS multiplex paddle with shaft coupling for shaft extension</p> <p>For heavy, large, lumpy or sticky materials. Use neoprene paddles 24" long or SS multiflex paddles 17" long for materials that are 50 lbs/ft³ or more.</p>

Side Bin Mounting

TYPE 1	TYPE 2	TYPE 3a & 3	TYPE 3i	TYPE 4	TYPE 5	TYPE 9	TYPE 10
							
<p>Large 4-vane paddle, molded neoprene flexible shaft.</p> <p>For applications up to 155° F (68° C) and materials weighing less than 30 lbs/ft³. For temps above 155° F (68° C) use a silicone shaft.</p>	<p>4-vane paddle, molded neoprene flexible shaft.</p> <p>For applications up to 155° F (68° C) and materials weighing 30 to 75 lbs/ft³. For temps above 155° F (68° C) use a silicone shaft.</p>	<p>Type 3: Single vane paddle.</p> <p>Type 3a: Single vane paddle with 45° cut.</p> <p>For heavy applications with 75 lbs/ft³ or more; e.g. sand, gravel or other medium sized particles.</p>	<p>Single vane paddle, insert through 1 1/4" mounting coupling.</p> <p>Curved 9" diameter paddle for most materials weighing over 20 lbs/ft³. Mounting plate not included.</p>	<p>Standard 4-vane paddle.</p> <p>Short shaft configuration for most materials. For applications with temps up to 200° F (93° C).</p>	<p>Large 4-vane paddle.</p> <p>Short shaft configuration with large paddle for materials weighing less than 30 lbs/ft³ and temps up to 200° F (93° C).</p>	<p>Collapsible 2-vane SS paddle.</p> <p>For applications up to 200° F (93° C) and materials weighing 20 to 75 lbs/ft³. Mounting plate not included.</p>	<p>Collapsible 2-vane SS paddle, flexible shaft.</p> <p>For applications up to 155° F (68° C) and materials weighing 20 to 75 lbs/ft³. For temps above 155° F (68° C) use a silicone shaft. Mounting plate not included.</p>



150 Venture Boulevard · Spartanburg, SC 29306
 Tel: (800) 778-9242 · (864) 574-8060
 Fax: (864) 574-8063
 E-mail: sales@bindicator.com
 www.bindicator.com



LAR 180010 Rev. G
 2012 All rights reserved.
 All data subject to change without notice.