



8287

MONITORS

8287

- Lightweight Elk-0-Lite® design flows up to 1250 gpm (4732 lpm)
- Three 2½" clappered inlets lead to a 3" dual waterway
- 100° vertical travel (with a by-passable safety stop at 25° above horizontal)
- Continuous 360° horizontal travel plus positive left-right lock with visual position indication
- Construction increases stability through design:
 - Three solid steel, chrome-plated legs with adjustable ground spikes
 - Two rear angled ground spikes attached to the monitor body
- 10' tie-down chain for additional safety
- Two carrying handles



5-37



Liquid-filled pressure gauge

Solid steel, chrome-plated legs with adjustable ground spikes

Clappered inlets



8287 Selector Guide

| SPECIFICATIONS | | |
|-----------------|--------------------------------------|---------|
| Max. GPM (LPM) | 1250 (4732) | |
| Inlet | Size | Type |
| | 2.5" (x3) | NHT (F) |
| Outlet Size | 3.5" NHT | |
| Control | Dual hand-wheel | |
| Material/Finish | Elk-O-Lite® with red urethane enamel | |
| Friction Loss | 11 psi at 1250 gpm | |
| | 8 psi at 1000 gpm | |
| Travel | V -15° to +85° (100°) | |
| | H 360° (continuous) | |
| Weight | 48 Lbs. | |

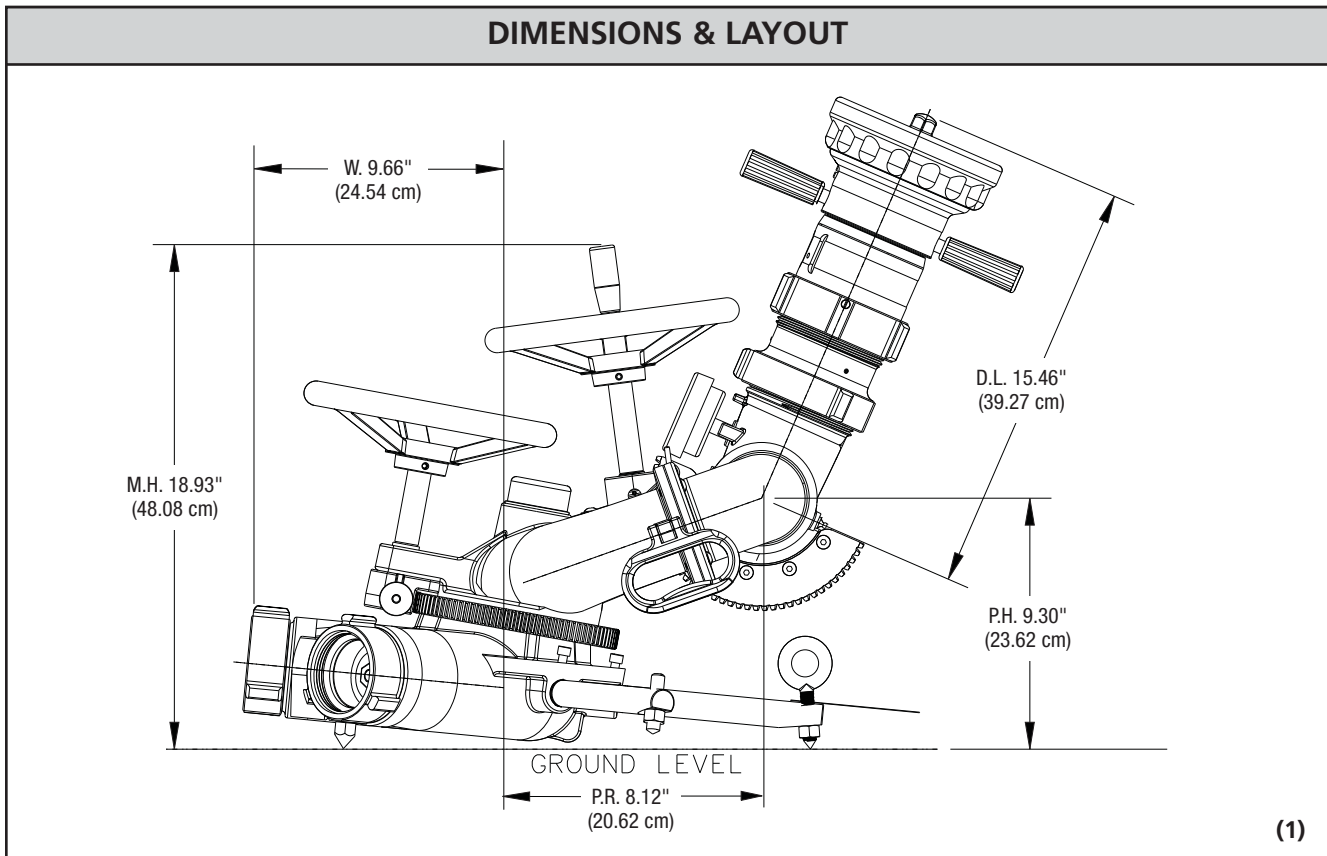
| INLET SIZE / TYPE | OUTLET SIZE | PRESSURE GAUGE | TIE-DOWN STRAP | MODEL |
|-------------------|-------------|----------------|----------------|---------------------|
| 2.5" NHT | 3.5" NHT | | | |
| • | • | s | • | 8287 |
| | | | | <i>Illustration</i> |

KEY s = standard o = option

Components & Options Chart

| COMPONENTS & OPTIONS | | ILLUSTRATION | MODEL |
|----------------------|-----------------------|--------------|----------|
| Anchor Kit | For portable monitors | | 81204001 |
| Top Mount Fixture | | | 8290 |

DIMENSIONS & LAYOUT



Recommended Products

| 284A – STREAM SHAPER | SM-1250 – X-STREAM® | 283A – STREAM SHAPER | ST-194 – QUAD STACKED TIPS |
|-------------------------------------------------------------------------------------|-------------------------------------------------------------------------------------|-------------------------------------------------------------------------------------|--------------------------------------------------------------------------------------|
|  |  |  |  |
| <i>Page 1-27</i> | <i>Page 6-7</i> | <i>Page 1-27</i> | <i>Page 1-29</i> |

ADDITIONAL INFORMATION

Technical Data on monitor performance may be found on page T-10.