

HANDLINE NOZZLES



STREAM SHAPERS

HANDLINE NOZZLES

Stream Shapers

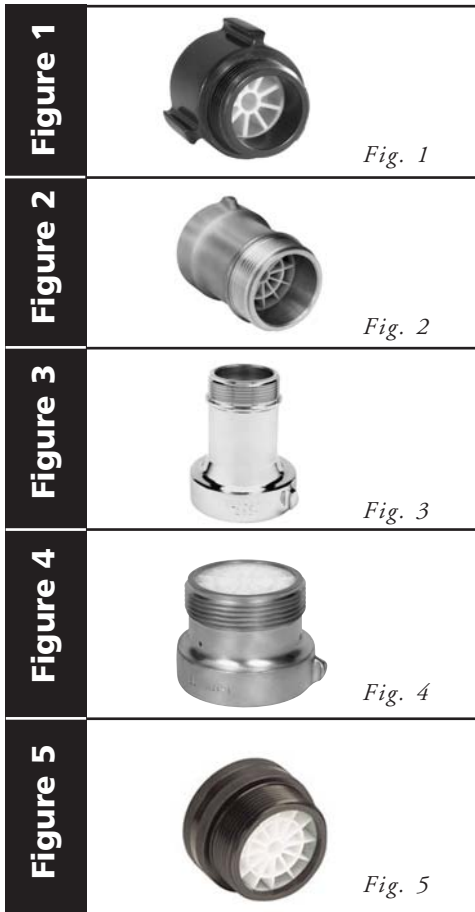
Used to straighten a water flow, Elkhart Brass has stream shapers available in a variety of sizes and several materials to suit a variety of situations. Our new mini stream shapers reduce bulk while still providing excellent stream. All Elkhart stream shapers feature replaceable vanes for easy repair.

Choice of materials



1-27

STREAM SHAPERS CONFIGURATIONS



| | Inlet Size | Outlet Size | MATERIAL/FINISH | | | DIMENSIONS | | MODEL | FIGURE |
|----------|------------|-------------|-----------------|--------|-------------|-----------------|---------------|-----------|--------|
| | | | BRASS | | Elk-O-Lite® | Length (Inches) | Weight (Lbs.) | | |
| | | | Satin | Chrome | | | | | |
| Figure 1 | 1.5" | 1.5" | | | s | 2.5 | 0.5 | 281A | 1 |
| | | | | | s | 1.5 | 0.2 | 281A-Mini | 5 |
| Figure 2 | 2.5" | 2.5" | s | o | | 4.5 | 3.3 | 282B | 2 |
| | | | | | s | 4.5 | 1.5 | 282A | 1 |
| Figure 3 | 3.5" | 2.5" | | | s | 2.3 | 0.5 | 282A-Mini | 5 |
| | | | s | o | | 5.8 | 3.5 | 283B | 3 |
| Figure 4 | 3.5" | 2.5" | | | s | 5.8 | 1.5 | 283A | 3 |
| | | | s | o | | 3.5 | 3.5 | 284B | 4 |
| Figure 5 | 3.5" | 3.5" | | | s | 3.5 | 1.5 | 284A | 4 |
| | | | s | o | | | | | |

Key s = standard o = option

OPTIONS

THREADS

All shapers are NHT unless otherwise specified. See index T-12 for optional base threads.