

Flush

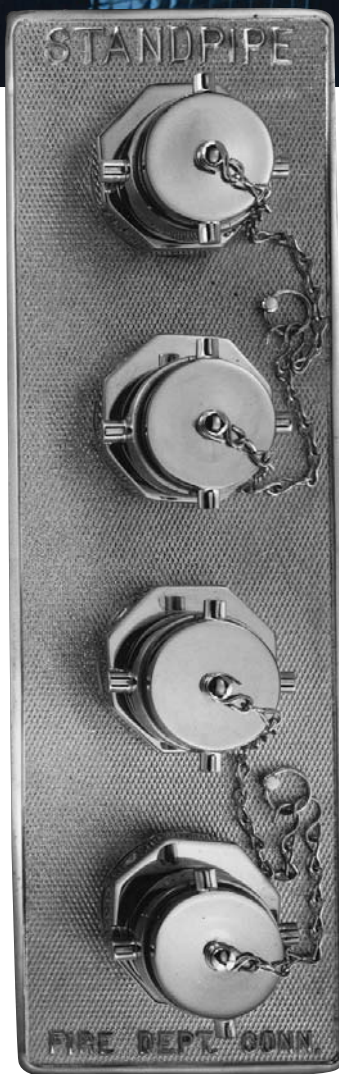
Elkhart offers a wide array of flush and 4-way connections. All connections are cast brass construction.

Wall-mounted options include:

- Inlet models furnished with plugs, chains and an escutcheon.
- Outlet models furnished with caps, chains and an escutcheon.

Four-way connections feature a 6" NPT connection, and come furnished with escutcheons.

- All 4-way inlet connection models feature snoots on each of the four 2½" outlets and are furnished with plug and chain assemblies.
- All 4-way outlet connection models have cap and chain assemblies plus a hex adapter.





FLUSH INLET

NPT OUTLET SIZE (Inches)	INLETS				BODY TYPE	Individual Drop Clapper	MEASUREMENTS (Inches)												CERT	AVAILABLE ESCUTCHEON LETTERING				MATERIAL/ FINISH			Weight (Lbs.)	MODEL	FIGURE
	NHT (F)		STORZ				Straight	Inverted 90°	A	B	C	D	E	F	G	H	J	FM Approved		U.L. Listed	Auto-Sprk	Standpipe	Standpipe and Auto-Sprk	BRASS					
	1.5"	2.5"	4"	5"																				Polished Brass	Polished Chrome	Elk-O-Lite®			
	1	1	2	3																				1	1	1			
1½	•					*												s				s		1¼	141	1			
2½	•					*												o	s			s	o	8⅝	151-2.5	1			
	•					*								7	10½			s	o			s	o	11	161-2.5	2			
3	•					*												o	s			s	o	8⅝	151-3	1			
	•					*								7	10½			s	o			s	o	11¼	161-3	2			
4				•		*					6				12			s	o			s		6⅞	171	1			
					•	*				5 ²⁹ / ₃₂					12			s	o			s		10⅞	171	1			
		•				•	•	11	7½	5	6 ⁷ / ₁₆	3 ²⁵ / ₃₂	3 ⁷ / ₃₂			13 ⁷ / ₁₆	•	•	s	o	o	s	o	23	166-4-ST**	3			
		•				•	•	11½	7½	5	6 ⁷ / ₁₆	3 ¹⁹ / ₃₂	3 ³ / ₈	3 ⁷ / ₁₆	5 ⁷ / ₈	13 ⁷ / ₁₆	•	•	s	o	o	s	o	26¼	166-4-90**	4			
6						•	•	11 ¹¹ / ₁₆	7½	5	6 ⁷ / ₁₆	3 ⁷ / ₈	3 ⁷ / ₈	4 ⁷ / ₁₆	7 ⁷ / ₁₆	13 ⁷ / ₁₆	•	•	s	o	o	s	o	31	166-4-INV**	5			
			•			•	•	17 ⁷ / ₁₆	6⅞	5 ⁷ / ₁₆	6 ⁷ / ₁₆	3 ⁷ / ₈	4 ⁷ / ₁₆	4 ⁷ / ₁₆				s			s	o	70	167-W-ST***	8				
				•		*					6¼				12			s	o			s		7¼	171	1			
					•	*					6¼				12			s	o			s		10¼	171	1			
6		•				•	•	11½	7½	7½	8	3 ⁷ / ₈	3 ⁷ / ₈			13 ⁷ / ₁₆	•	•	s	o	o	s	o	30¾	166-6-ST**	3			
		•				•	•	12	7⅞	7½	7¾	4	4 ³ / ₃₂	3 ⁷ / ₁₆	6 ⁵ / ₃₂	13 ⁷ / ₁₆	•	•	s	o	o	s	o	34⅞	166-6-90**	4			
			•			•	•	17 ⁷ / ₁₆	6⅞	7⅞	6 ⁷ / ₁₆	3 ⁷ / ₈	4 ⁷ / ₁₆	4 ⁷ / ₁₆				s			s	o	68	167-W-ST***	8				
			•			•	•	17¼	6⅞	7⅞	8 ⁷ / ₁₆	4 ¹³ / ₃₂	4	3 ⁵ / ₁₆	5 ⁷ / ₁₆	20¼			s			s	o	68	167-W-90***	6			
		•			•	•	17¼	6⅞	7⅞	8 ⁷ / ₁₆	4 ¹³ / ₃₂	4	3 ⁵ / ₁₆	5 ⁷ / ₁₆	20¼			s			s	o	68	167-W-INV***	7				

Key s = standard o = option
 * Straight connection adapter.
 ** Can order body separately.
 *** Can order parts (with or without clappers) separately.

ADDITIONAL INFORMATION

- Bodies rated for 175 psi (12.1 bar).
- Each 2½" NHT inlet has a rated flow of 250 gpm (946 lpm).
- Supplied with plug(s) and chain(s).

THREADS

Unless otherwise noted, all hose threads are NHT. See index T-12 for available optional threads.

OTHER PRODUCTS

- See page 12-16 for Flush 4-Way Inlet Connections.
- 2½" nipple required for all 166 and 167-W models. Elkhart Brass does not supply.
- On the 166, the body is roughed in during construction; escutcheon and nipple assemblies are installed after construction. Elkhart Brass personnel can help with construction installation information.

FIGURE 1

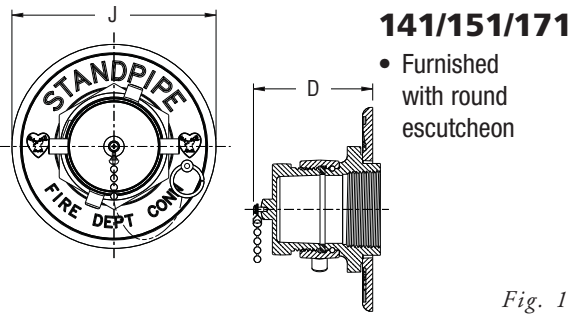


FIGURE 2

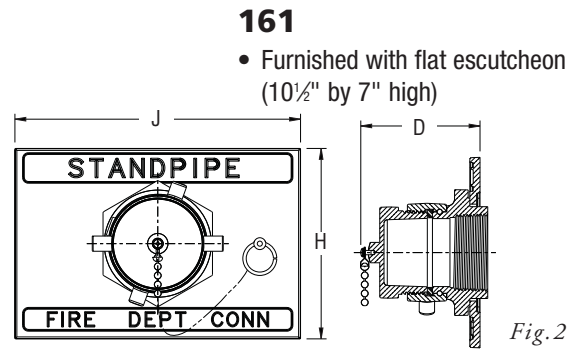


FIGURE 3

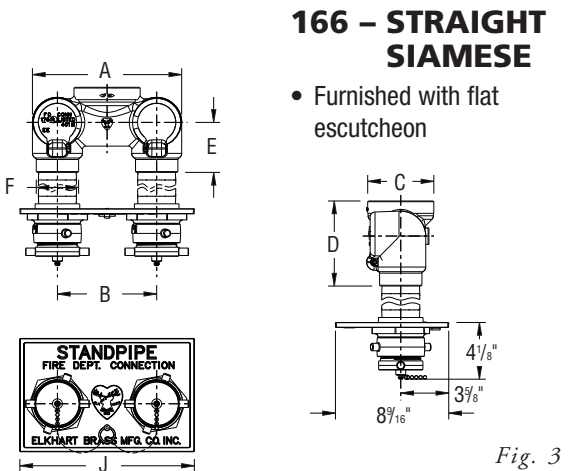


FIGURE 4

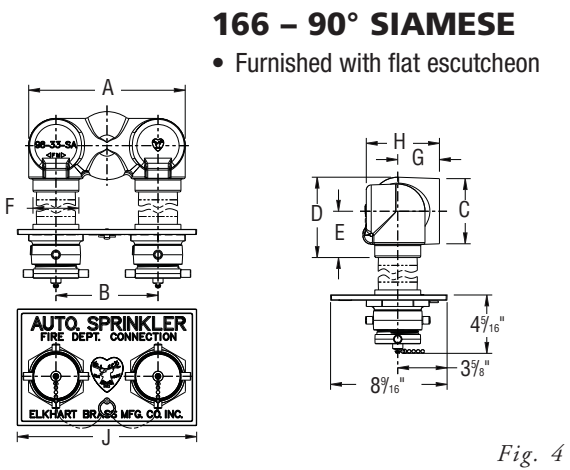


FIGURE 5

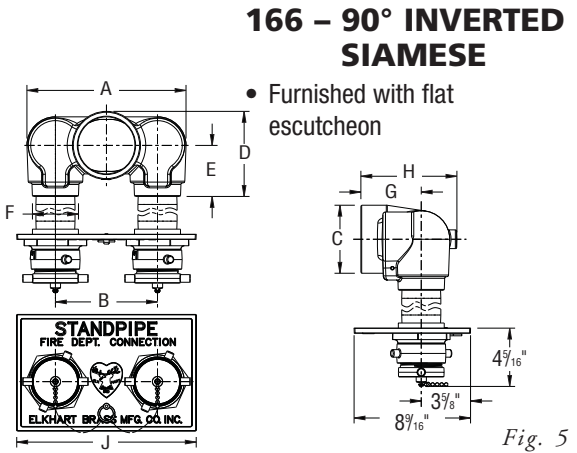


FIGURE 6

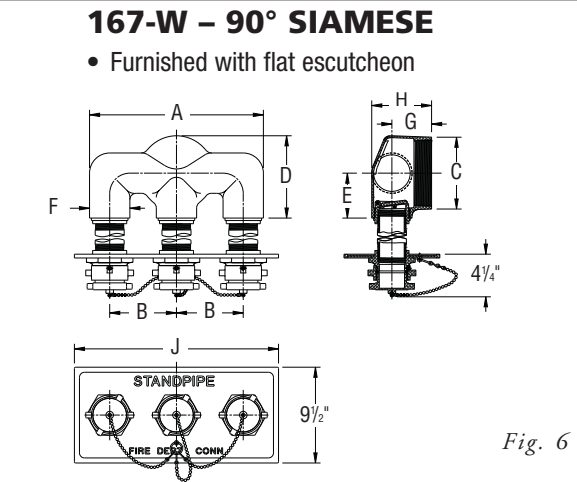


FIGURE 7

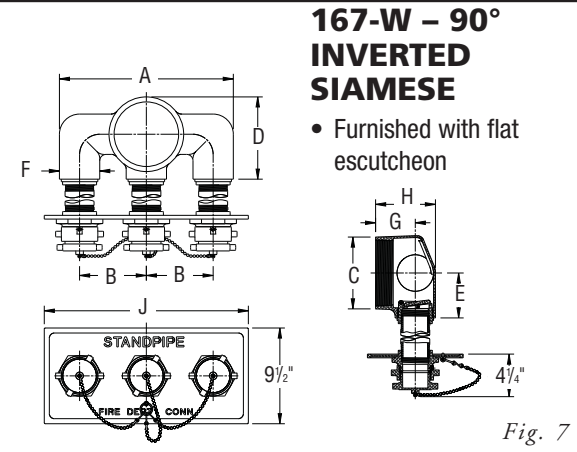
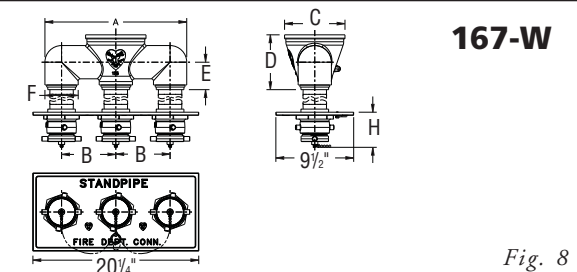


FIGURE 8

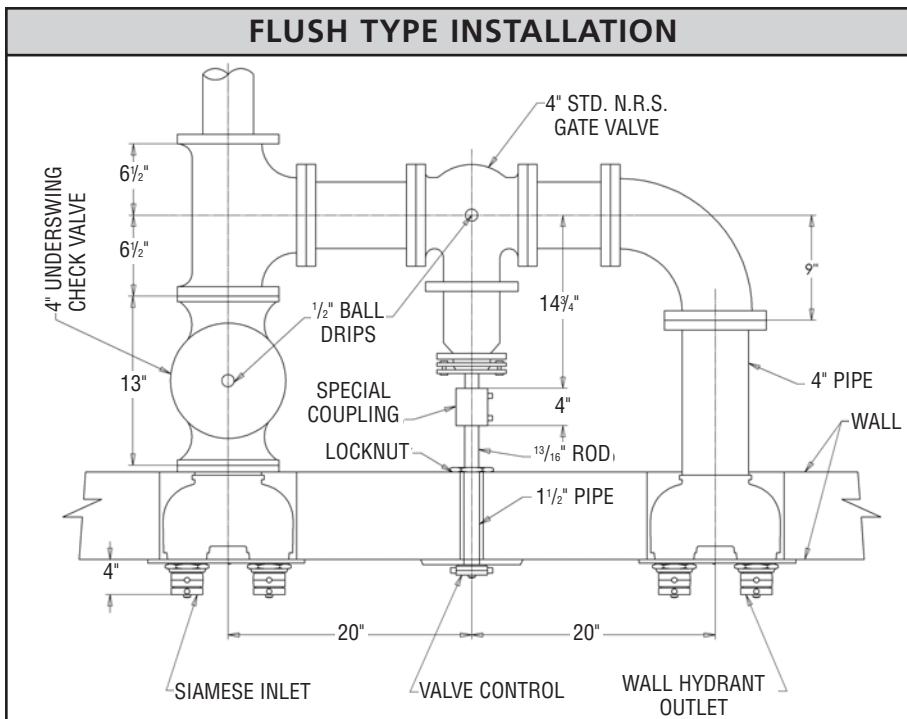




FLUSH 4-WAY INLET

INSTALLATION DIRECTION			BODY TYPE		SNOOT TYPE		MEASUREMENTS (Inches)		PSI (BAR)		CERTIFICATION	AVAILABLE ESCUTCHEON LETTERING				FINISH		Weight (Lbs.)	MODEL	FIGURE
Vertical	Horizontal	Square	Straight	90°	Clapper	Spring Check	A	B	175 (12.1)	400 (27.6)	U.L. Listed	Auto-Sprk	Dry Standpipe	Standpipe	Standpipe and Auto-Sprk	Polished Brass	Polished Chrome			
•				•	•		8	3 ¹⁹ / ₁₆	•		•	o	o	s	o	s	o	96	780	2
	•			•	•		8	3 ¹⁹ / ₁₆	•		•	o	o	s	o	s	o	96	781	3
•			•		•		5 ⁷ / ₈	3 ¹⁹ / ₁₆	•		•	o	o	s	o	s	o	96	782	4
	•		•		•		5 ⁷ / ₈	3 ¹⁹ / ₁₆	•		•	o	o	s	o	s	o	96	783	5
		•		•		•		3 ³ / ₄	•			o	o	s	o	s	o	107 ⁷ / ₈	739*	1

Key s = standard o = option
 * Can order body separately.



ADDITIONAL INFORMATION

- Each 2¹/₂" F NHT inlet has a rated flow of 250 gpm (946 lpm).
- 6" outlet connection.
- Supplied with plugs and chains.

THREADS

Unless otherwise noted, all hose threads are NHT. See index T-12 for available optional threads.

OTHER PRODUCTS

- See page 12-14 for Flush Inlet Connections.
- For 780 and 788 sub-components specifications, see page 12-22.
- 3" NPT nipples required. Elkhart Brass does not supply.

FIGURE 1

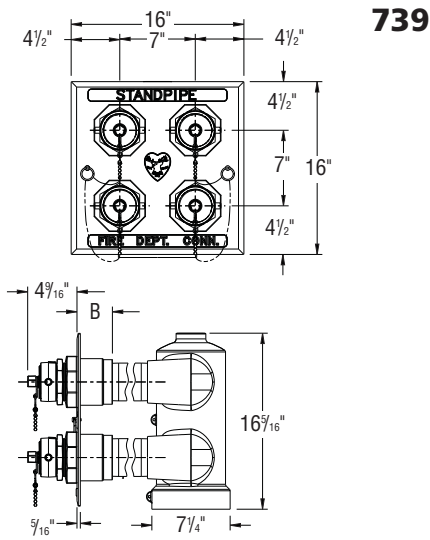


Fig. 1

FIGURE 4

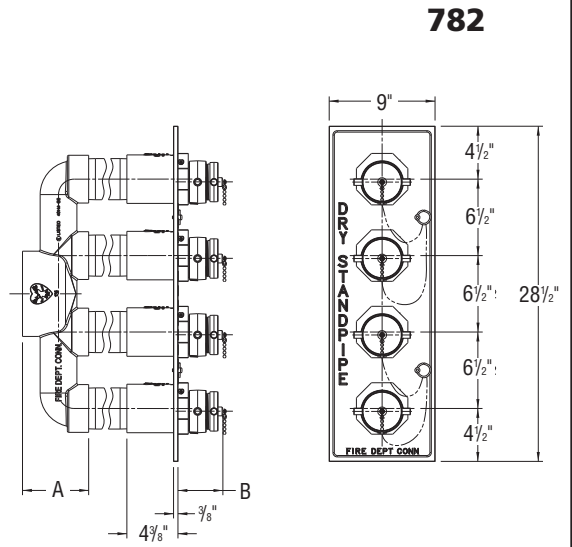


Fig. 4

FIGURE 2

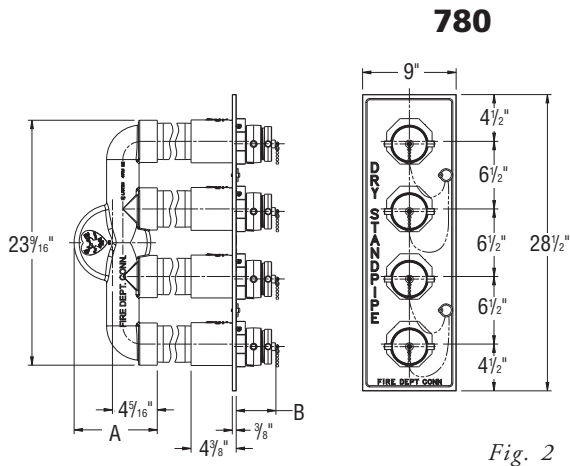


Fig. 2

FIGURE 5

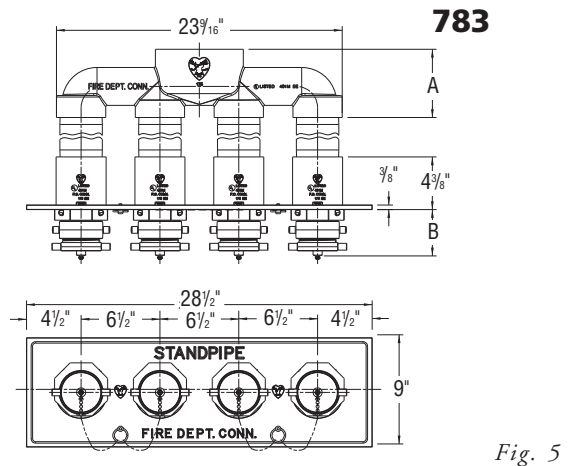


Fig. 5

FIGURE 3

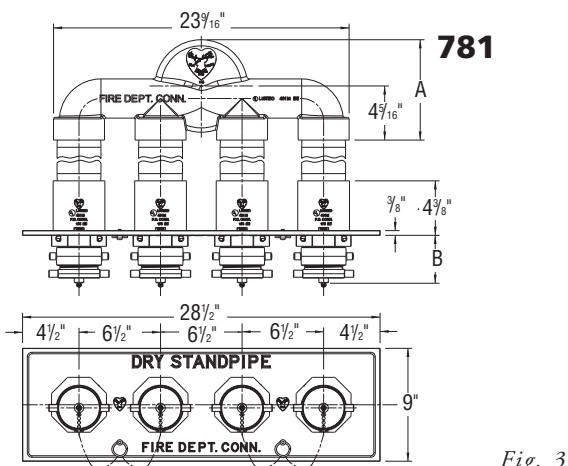


Fig. 3



FLUSH OUTLET

Type	NPT INLET SIZE (Inches)	OUTLETS			BODY TYPE	MEASUREMENTS (Inches)								AVAILABLE ESCUTCHEON LETTERING		FINISH		Weight (Lbs.)	MODEL	FIGURE			
		1	2	3		Straight	90°	A	B	C	D	E	F	G	H	J	Pump Test				Wall Hydrant	Polished Brass	Polished Chrome
Hydrant	2 1/2	•					7 1/2										s	s	o	6 3/4	152 2.5"	1	
		•					10 1/2								7			s	s	o	9 3/8	162 2.5"	2
	3	•					7 1/2											s	s	o	5 3/4	152 3"	1
		•					10 1/2								7			s	s	o	8 3/4	162 3"	2
	4	•	•			s	13 3/16	7 1/2					5	6 7/16	8 9/16	11 1/4		s	s	o	31	163 4" ST*	3
		•				o	13 3/16	7 1/2	3 3/8	3 1/16	6 13/16		5	6 5/16	5 3/8	11 1/2		s	s	o	28 3/4	163 4" 90*	4
6	•	•			s	13 3/16	7 1/2					7 1/2	8	8 9/16	11 1/2		s	s	o	35 1/4	163 6" ST*	3	
	•				s	13 3/16	7 1/2	4 3/32	3 1/16	4	7 1/2	7 3/4	6 15/32				s	s	o	32 3/4	163 6" 90*	4	
Pump Test Connections	4	•			s	13 3/16	7 1/2					5	6 7/16	8 9/16	11 1/4	s		s	o	31	163P 4" ST	3	
		•			s	13 3/16	7 1/2	3 3/8	3 1/16	6 13/16		5	6 5/16	5 3/8	11 1/2	s		s	o	28 3/4	163P 4" 90	4	
	6	•			s	13 3/16	7 1/2					7 1/2	8	8 9/16	11 1/2	s		s	o	35 1/4	163P 6" ST	3	
		•			s	13 3/16	7 1/2	4 3/32	3 1/16	4	7 1/2	7 3/4	5 3/32	12	s		s	o	32 3/4	163P 6" 90	4		
		•	•		s	20 1/8	6 5/8					7 3/8	6 1/8	9 1/2	17 5/16	s		s	o	68	167-WP	5	
		•			s	20 1/4	6 5/8					7 1/8	8 3/16	9 1/2	17 1/4	s		s	o	70 1/2	167-WP 90	6	

Key s = standard o = option

* Can order body separately.

ADDITIONAL INFORMATION

- Bodies rated for 175 psi (12.1 bar).
- Each 2 1/2" NHT outlet has a rated flow of 250 gpm (946 lpm).
- Supplied with cap(s) (#310) and chain(s).

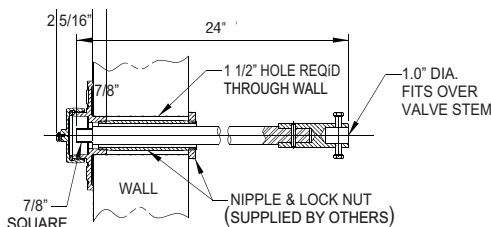
THREADS

Unless otherwise noted, all hose threads are NHT. See index T-12 for available optional threads.

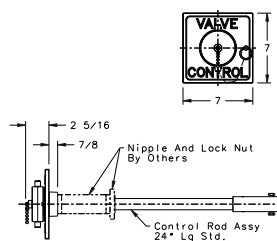
OTHER PRODUCTS

- See page 12-20 for Flush 4-Way Outlet Connections.
- 2 1/2" NPT nipple required for all 163, 163P and 167 WP models. Elkhart Brass does not supply.
- On the 163 and 163P, the body is roughed in during construction; escutcheon and nipple assemblies are installed after construction. Elkhart Brass personnel can help with construction installation information.

OPTIONS



164

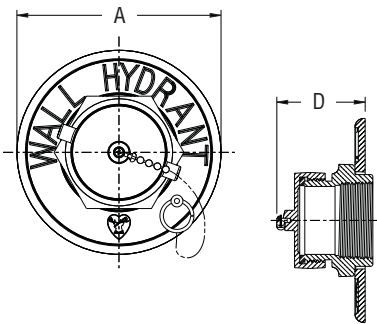


480

- **164** – A cast brass valve control for use with Elkhart's model 163 is available. The 164 comes with a 7/8" square steel extension rod that is 24" long and has a special coupling for attaching to stem of gate valve. Additionally, a cap, chain and 7" square escutcheon are included. Please specify polished brass or polished chrome-plated. (Note: a 2 1/2" hole is required in the installation wall.)

- **480** – Tee handle used with 164 control valve.

FIGURE 1

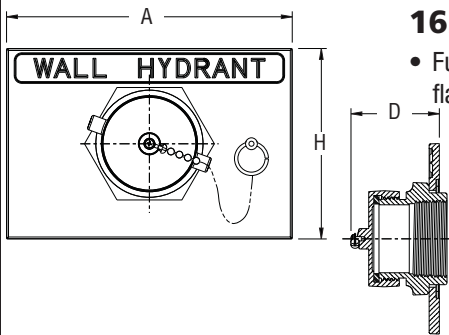


152

- Furnished with 7½" round escutcheon

Fig. 1

FIGURE 2

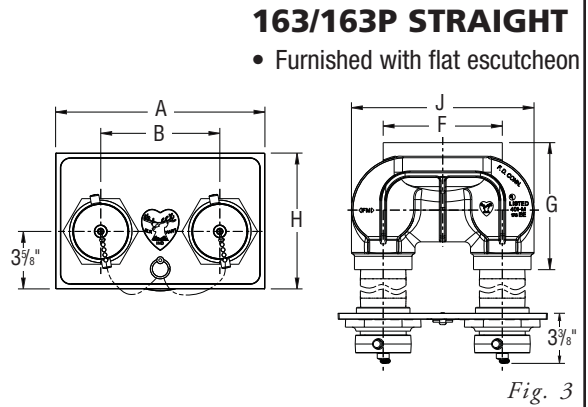


162

- Furnished with flat escutcheon (10½" by 7" high)

Fig. 2

FIGURE 3

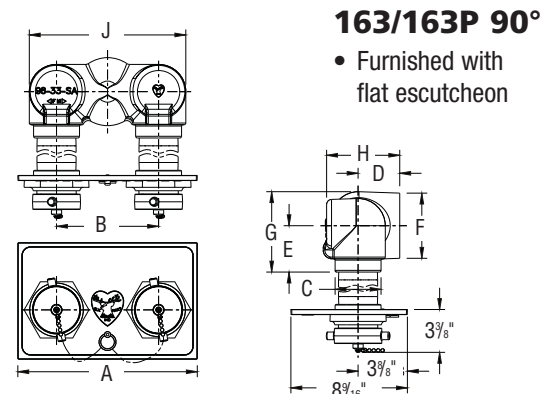


163/163P STRAIGHT

- Furnished with flat escutcheon

Fig. 3

FIGURE 4

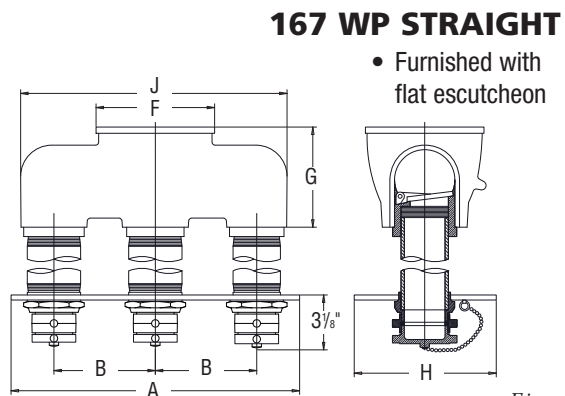


163/163P 90°

- Furnished with flat escutcheon

Fig. 4

FIGURE 5

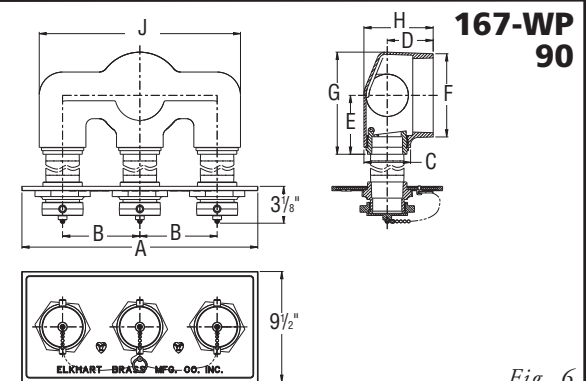


167 WP STRAIGHT

- Furnished with flat escutcheon

Fig. 5

FIGURE 6



167-WP 90

Fig. 6

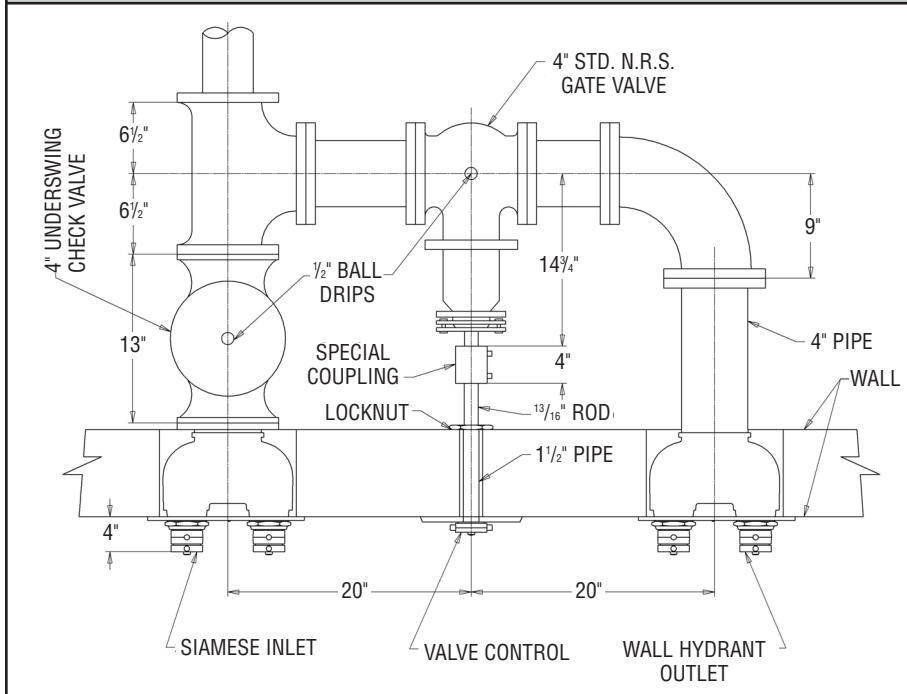


FLUSH 4-WAY OUTLET

INSTALLATION DIRECTION			BODY TYPE		AVAILABLE ESCUTCHEON LETTERING		FINISH		Weight (Lbs.)	MODEL	FIGURE
Vertical	Horizontal	Square	Straight	90°	Hydrant	Pump Test Conn.	Polished Brass	Polished Chrome			
•			•		s		s	o	92	784	2
	•		•		s		s	o	92	785	3
•				•	s		s	o	92	786	4
	•			•	s		s	o	92	787	5
		•		•	s		s	o	109 ¹ / ₄	743	1
•			•			s	s	o	92	784-P	2
	•		•			s	s	o	92	785-P	3

Key s = standard o = option

FLUSH TYPE INSTALLATION



ADDITIONAL INFORMATION

- Each 2 1/2" M NHT outlet has a rated flow of 250 gpm (946 lpm).
- Inlet connection is a 6" NPT.
- Supplied with caps (#310) and chains.
- Bodies rated for 175 psi (12.1 bar).

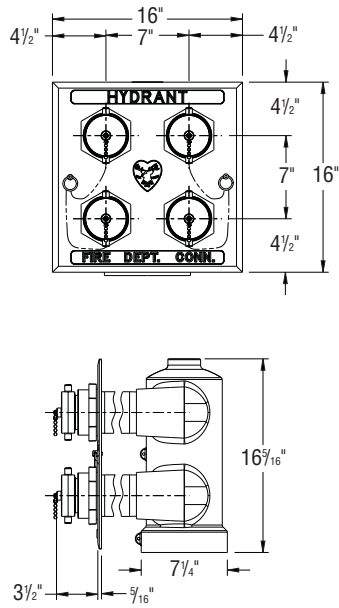
THREADS

Unless otherwise noted, all hose threads are NHT. See index T-12 for available optional threads.

OTHER PRODUCTS

- See page 12-18 for Flush Outlet Connections.
- 3" NPT nipple required. Elkhart Brass does not supply.

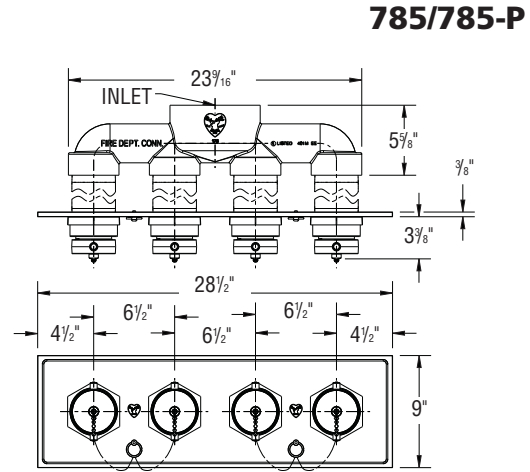
FIGURE 1



743

Fig. 1

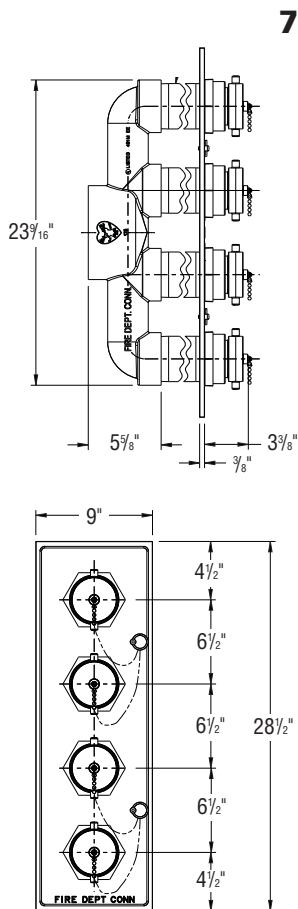
FIGURE 3



785/785-P

Fig. 3

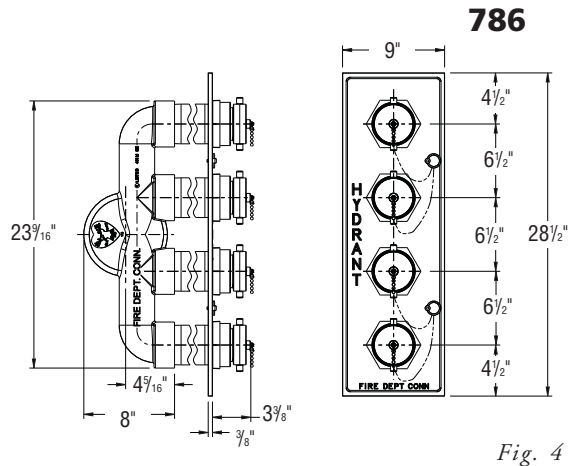
FIGURE 2



784/784-P

Fig. 2

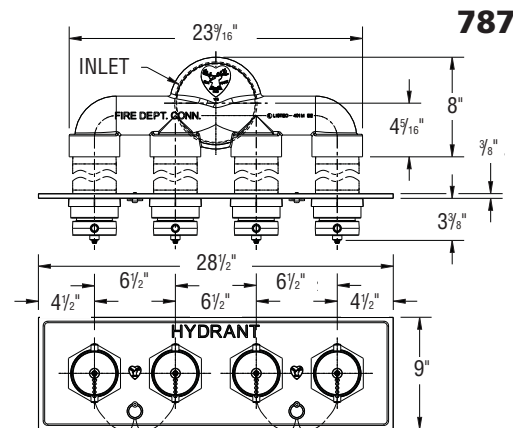
FIGURE 4



786

Fig. 4

FIGURE 5



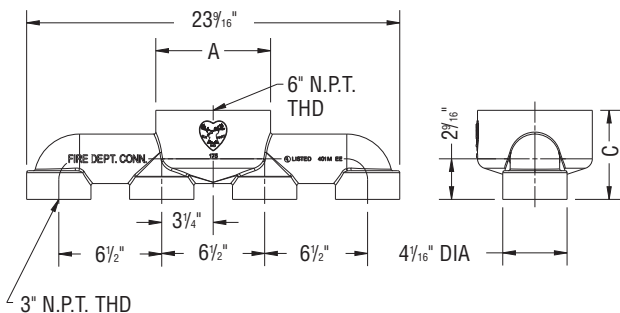
787

Fig. 5



BODY SUB-ASSEMBLIES

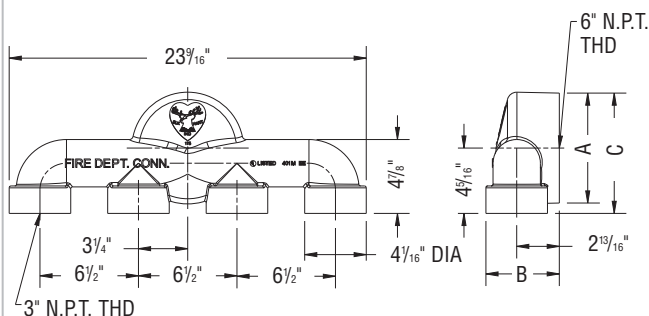
4-WAY STRAIGHT MANIFOLD



710

PRODUCT INFORMATION	MODEL
	710
Size (Inches)	6" x (4) 3"
Escutcheon opening size (Inches)	4 1/4
Dimension A (Inches)	7 1/4
Dimension C (Inches)	5 5/8
Material	Cast brass
Elkhart products used in	782, 783, 784, 785
Additional uses	With Elkhart's 720 Clapper Snoot (without nipples) as an exposed inlet connection
Weight (Lbs.)	28 1/2
PSI (BAR)	175 (12.1)
Certifications	U.L. Listed

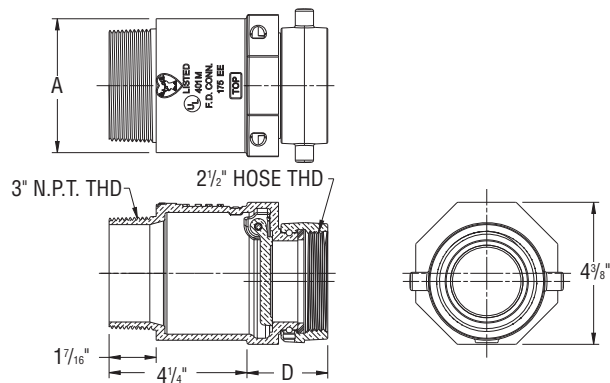
4-WAY 90° MANIFOLD



711

PRODUCT INFORMATION	MODEL
	711
Size (Inches)	6" x (4) 3"
Escutcheon opening size (Inches)	4 1/4
Dimension A (Inches)	7 1/4
Dimension B (Inches)	4 13/16
Dimension C (Inches)	7 15/16
Material	Cast brass
Elkhart products used in	780, 781, 786, 787
Additional uses	With Elkhart's 720 Clapper Snoot (without nipples) as either a side walk intake connection or an exposed dry standpipe inlet connection
Weight (Lbs.)	28
PSI (BAR)	175 (12.1)
Certifications	U.L. Listed

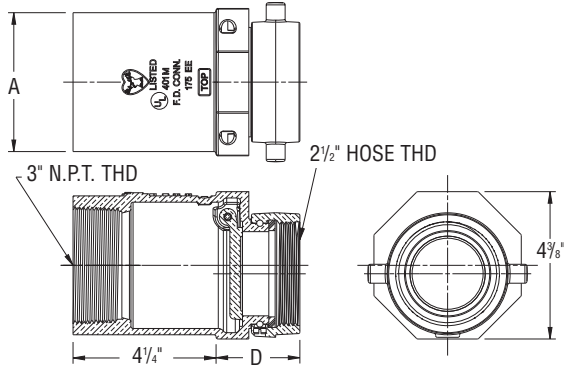
MALE CLAPPER SNOOT



720

PRODUCT INFORMATION	MODEL
	720
Openings (Inches)	3" M x 2.5" F
Dimension A (Inches)	4 1/8
Dimension D (Inches)	2 1/2
Material/Finish	Cast brass with polished brass exposed parts (optional chrome plating available)
Additional uses	Single fire department connection (plug and chain available separately)
Weight (Lbs.)	9 1/2
PSI (BAR)	175 (12.1)
Certifications	U.L. Listed

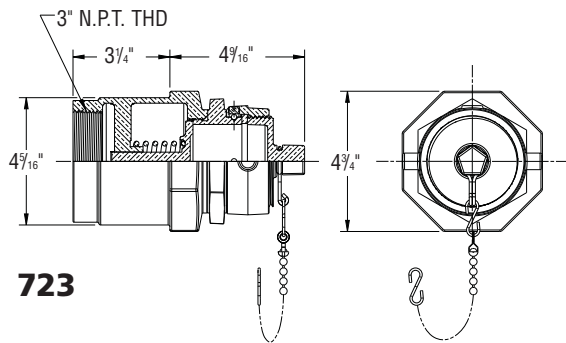
FEMALE CLAPPER SNOOT



721

PRODUCT INFORMATION	MODEL
	721
Size (Inches)	3" F x 2.5" F
Dimension A (Inches)	4 ⁷ / ₈
Dimension D (Inches)	2 ¹ / ₂
Material/Finish	Cast brass with polished brass exposed parts (optional chrome plating available)
Elkhart products used in	780, 781, 782, 783
Additional uses	Single fire department connection (plug and chain available separately)
Weight (Lbs.)	9 ¹ / ₂
PSI (BAR)	175 (12.1)
Certifications	U.L. Listed

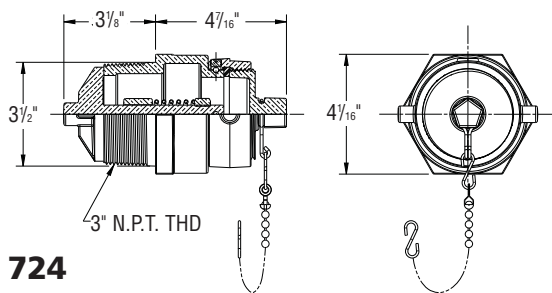
FEMALE SPRING CHECK SNOOT



723

PRODUCT INFORMATION	MODEL
	723
Sizes (Inches)	3" F x 2 ¹ / ₂ " or 3" F x 3"
Material/Finish	Cast brass with polished brass exposed parts (optional chrome plating available)
Available with	Plug
Spring check action	Open @ 10 psi (0.69 bar) Flows 250 GPM (946 lpm) @ 12 psi (0.83 bar) Flows 500 GPM (1893 lpm) @ 24 psi (1.65 bar)
Weight (Lbs.)	12 ¹ / ₄ or 11 ³ / ₅

MALE SPRING CHECK SNOOT



724

PRODUCT INFORMATION	MODEL
	724
Sizes (Inches)	3" M x 2 ¹ / ₂ " or 3" M x 3"
Material/Finish	Cast brass with polished brass exposed parts (optional chrome plating available)
Available with	Plug
Spring check action	Open @ 10 psi (0.69 bar) Flows 250 GPM (946 lpm) @ 12 psi (0.83 bar) Flows 500 GPM (1893 lpm) @ 24 psi (1.65 bar)
Weight (Lbs.)	12 ¹ / ₄ or 8 ⁷ / ₁₀

ADDITIONAL INFORMATION

Components rated for 175 psi (12.1 bar), unless otherwise specified.

THREADS

- 710, 711, 712 and 713 are NPT on all connections.
- 720, 720-HR, 721, 721-HR, 723 and 724 feature NPT Inlets, while the outlets are hose thread (NHT). See index T-12 for available optional hose threads.

OTHER PRODUCTS

- Flush Siamese (utilizing the components) are available on page 12-16.
- Caps and plugs are available on page 10-1.
- Escutcheons available on page 12-28.



TERMINOLOGY

FREE STANDING

To better serve our customers, for this edition and future editions of the catalog, Elkhart Brass has adopted industry standard terminology for our products. In previous versions of our catalog, you may have found the items now listed as “free standing” under “sidewalk siamese” or “sidewalk hydrants”.

The industry standard terminology is more inclusive of different connection options.

EXPOSED

To better serve our customers, for this edition and future editions of the catalog, Elkhart Brass has adopted industry standard terminology for our products. In previous versions of our catalog, you may have found the items now listed as “exposed” under “exposed siamese” or “exposed wall hydrants”.

The industry standard terminology is more inclusive of different connection options.

FLUSH

To better serve our customers, for this edition and future editions of the catalog, Elkhart Brass has adopted industry standard terminology for our products. In previous versions of our catalog, you may have found the items now listed as “flush” under “flush siamese” or “flush wall hydrants” or “flush pump test”.

The industry standard terminology is more inclusive of different connection options.