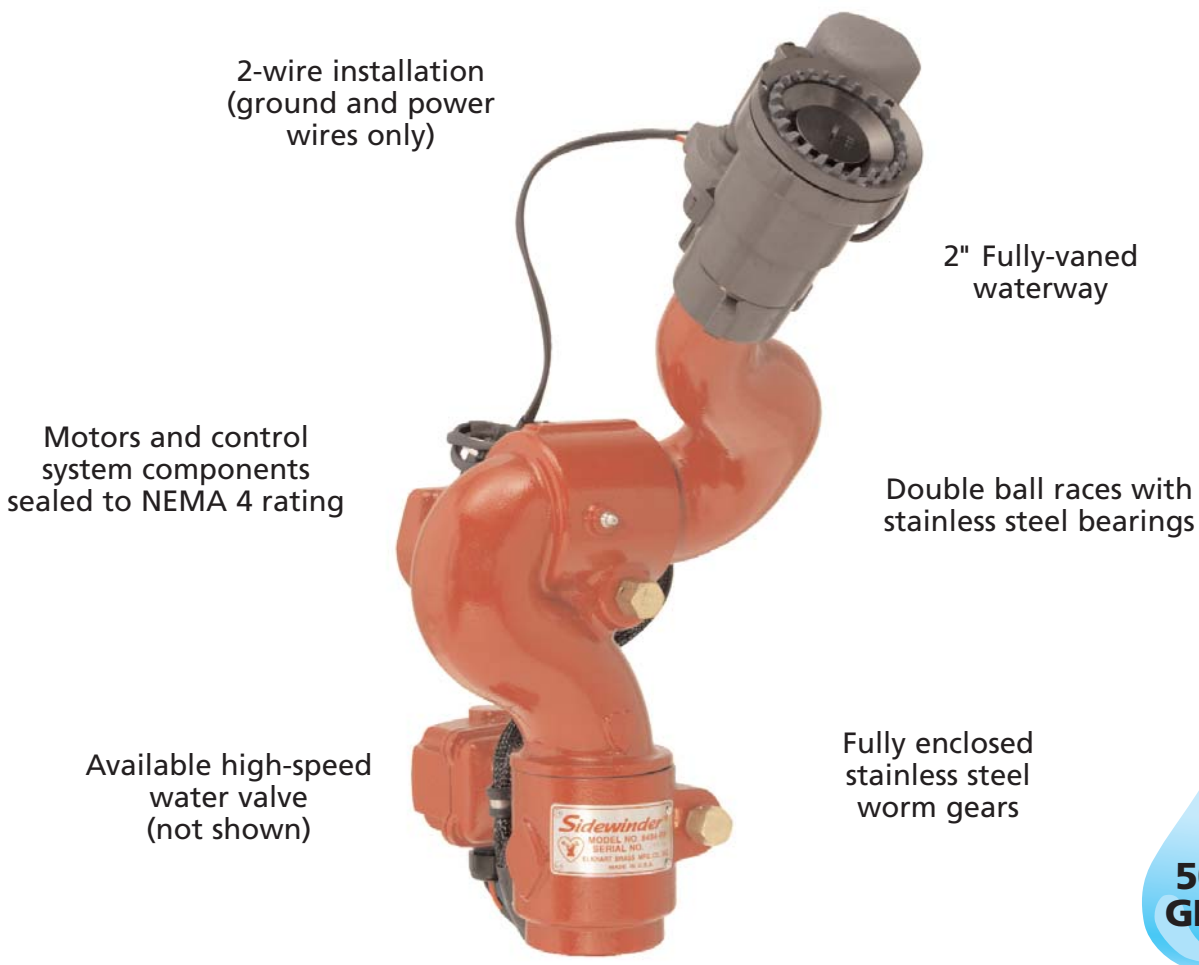


## Sidewinder® RF

- Wireless RF increases effective use of personnel while reducing the potential risk of injury — monitor can be remotely operated from up to 1/4 mile away with hand-held transmitter
- Wireless RF means no control cables between joystick and monitor — dramatically reducing installation costs
- In cab joystick requires only 2-wire 12V connection
- Fully connectorized receiver box includes all monitor and valve controls
- Two joystick transmitter styles available
- Patented, easy on-scene programming of oscillation for exposure protection or hazardous material suppression
- Left/right stops can be independently programmed from 0 up to 180° from either side of center
- Exclusive dual speed left/right drive allows precision stream placement
- Unlimited number of monitors may be operated interference free
- Several ISM bands available for license free use around the world

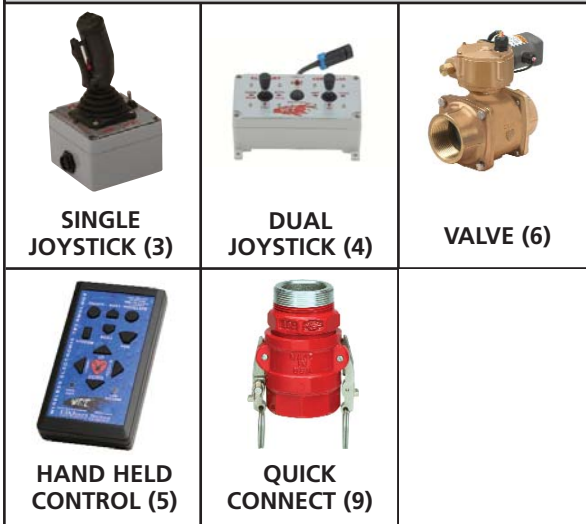




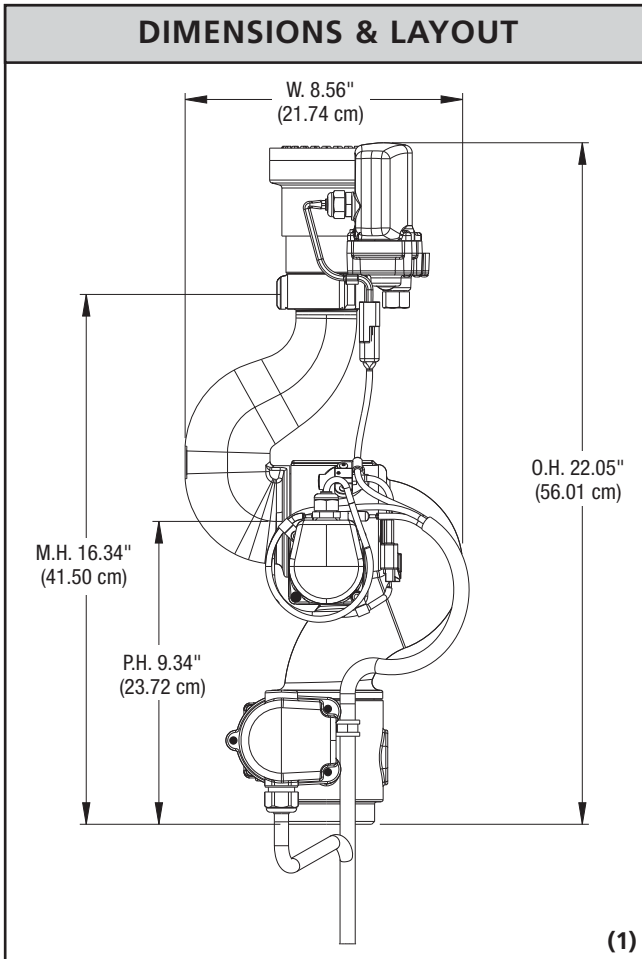
## SIDEWINDER® RF

SPECIFICATIONS		
Max. GPM (LPM)	500 (1893)	
Inlet	Size	Type
Outlet Size	2"	NPT (F)
Controls	Wireless (W.E.T.®)	
Material/Finish	Elk-O-Lite® with red urethane enamel	
Friction Loss	26 psi at 500 gpm	
	13 psi at 350 gpm	
	4 psi at 200 gpm	
Travel	V -45° to +90° (135°)	
	H 360°	
Weight	16 Lbs.	
Max. Power Requirements	7 Amps at 12V DC, includes optional water valve (24V opt)	
Ratings and Certifications		

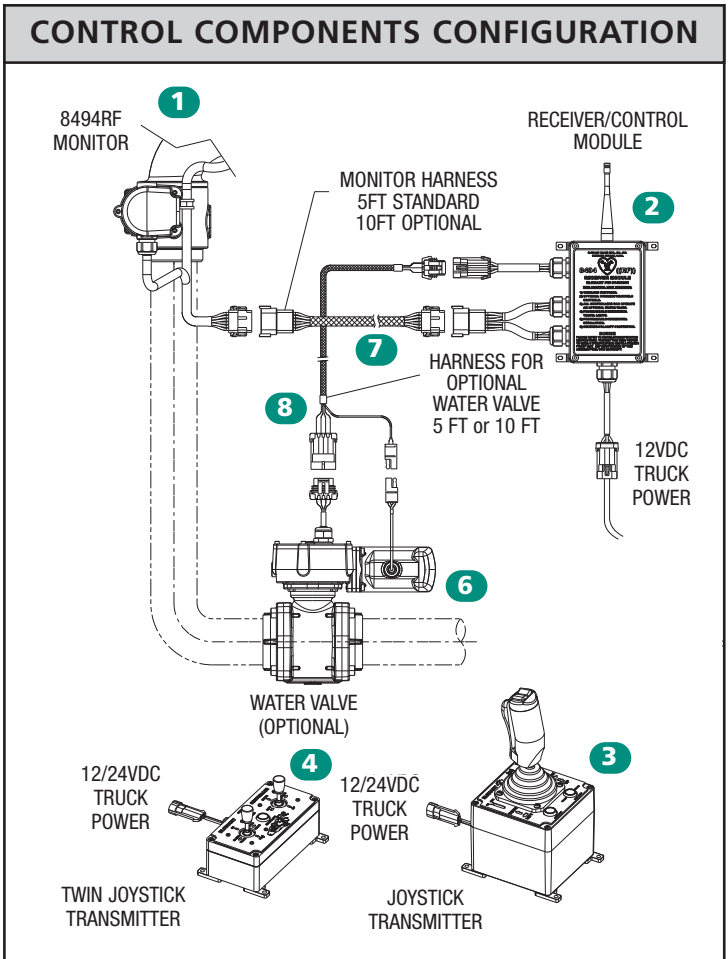
## KEY CONFIGURATIONS (ACCESSORIES)



## DIMENSIONS & LAYOUT



## CONTROL COMPONENTS CONFIGURATION



## ADDITIONAL INFORMATION

- Horizontal travel is programmed at the factory (90° left and 90° right). The horizontal travel can be reprogrammed to a max. of 180° left/right.
- Technical Data on monitor performance may be found on page T-10.

### Sidewinder® RF Selector Guide

INLET SIZE / TYPE	OUTLET SIZE	AVAILABLE RF FREQUENCIES			VOLTAGE	PRIMARY CONTROLLER*		BASES		MODEL
		868 MHz	915 MHz	920 MHz		SINGLE JOYSTICK	DUAL JOYSTICK	2" NPT	2" NPT Quick Connect (Elk-O-Lite®)	
2.0" NPT	1.5" NHT	868 MHz	915 MHz	920 MHz	12V DC	SINGLE JOYSTICK	DUAL JOYSTICK	2" NPT	2" NPT Quick Connect (Elk-O-Lite®)	8494RF
•	•	o	s	o	•	s	o	s	o	Illustration
						3	4		9	

\*Requires OEM provided switches or switch box  
KEY s = standard o = option

### Components & Options Chart

COMPONENTS & OPTIONS		ILLUSTRATION	MODEL
<b>Controllers</b> Up to 15 additional hand-held controllers may be added.		Hand Held Remote – wireless remote control. Requires 2 AA batteries	5
		Single (Trigger) Joystick – hand held control features a water trigger on the joystick	3
		Dual (Mini) Joystick – hand held control box allows for two-handed operation	4
Electric Nozzles	Fixed Gallonage	15, 30, 45 GPM ( <i>specify</i> )	5000-04
		60, 95, 125, 150 GPM ( <i>specify</i> )	5000-14
		175, 200, 250, 350, 400, 475 GPM ( <i>specify</i> )	5000-24
	Automatic	20 -120 GPM	SM-10FE
Monitor Receiver Module	Operating Voltage	12V DC	2
	Monitor to Monitor Receiver Module Harness	5' or 10' length ( <i>specify</i> )	7
Valve Kit	2" Valve	High speed 2920E 2" valve	6
	Valve End Caps	Available inlet and outlet options are those offered on the 2920E series of valves, please see page 7-19. (FNPT end caps are standard)	10101
	Valve to Monitor Receiver Module Harness	5' or 10' length ( <i>specify</i> )	8
24V Power Module		24V to 12V – required	
Dust Cover for Quick Connect Bases		Aluminum 3" x 3" push plug with stainless steel chain and safety tether. Used with either the Quick Connect (to keep contaminants out of the waterway and seal) or the harness connector (to keep contaminants out of the plug assembly).	

### Recommended Products

5000-14 – ELECTRIC NOZZLE	SM-10FE – DE-ICING NOZZLE	281-A STREAM SHAPER	187CAF – SMOOTH BORE
(10)  Page 6-4	(11)  Page 6-4	 Page 1-27	 Page 1-29

### Product Highlights

- The Sidewinder® RF is designed to be installed with a minimum of necessary wiring. A simple 2-wire connection (ground and power) – for both the receiver/controller and the joystick dramatically reduces installation costs.

### SAFETY FEATURES

- W.E.T.® monitors from Elkhart Brass promote firefighter safety and increase fireground effectiveness.
- Programmable features allow the firefighter to direct the stream with pinpoint accuracy while maintaining ease of use
- Fireground personnel can tend monitor without being located at the apparatus.