

## Fig. 138R (Rod Threaded)

## Extension Split Pipe Clamp

**Size Range:** 3/8" through 3"

**Material:** Malleable iron

**Finish:** Plain or Galvanized

**Service:** Recommended for non-insulated **stationary** pipe lines.

**Maximum Temperature:** 450° F

**Approvals:** Complies with Federal Specification A-A-1192A (Type 12) WW-H-171-E (Type 25), ANSI/MSS SP-69 and MSS SP-58 (Type 12).

**Features:**

- Rapid installation assured by hinged design and single closure screw.
- When used with nipple this clamp is particularly adaptive for use on refrigeration or compressor piping subject to vibration.
- Interior design provides firm grip on pipe.
- Inside of ring tapered to prevent entrapment of condensed moisture.

**Ordering:** Specify pipe size, figure number, name and finish.

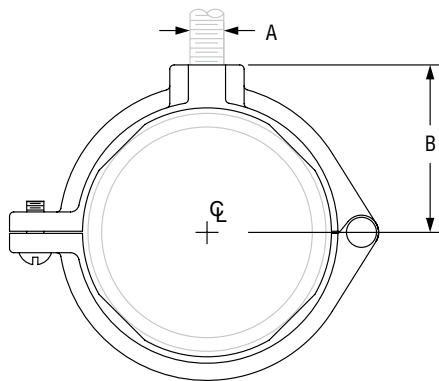


FIG. 138R: LOADS (LBS) • WEIGHT (LBS) • DIMENSIONS (IN)				
Pipe Size	Max Load	Weight	Rod Size A	B
3/8	180	0.10	3/8	13/16
1/2		0.13		7/8
3/4		0.14		1
1		0.16		1 1/8
1 1/4		0.22		1 5/16
1 1/2		0.24		1 7/16
2		0.31		1 11/16
2 1/2	300	0.60	1/2	2 1/8
3		0.74		2 7/16

- Table of Contents
- General Notes
- Copper Tubing Hangers
- Stainless Steel Hangers
- CPVC Pipe Hangers
- Pipe Rings**
- Clevis Hangers
- Steel Pipe Clamps
- Socket Clamps
- Beam Clamps
- Structural Attachments
- Brackets
- Ceiling Plates & Flanges
- Concrete Inserts & Attachments
- Hanger Rods
- Rod Attachments
- Bolts, Nuts, Pins & U-Bolts