

Fig. 187

Two Hole 90° Side Mount Strap

Size Range: 3/4" through 2"

Finish: Galvanized steel

Service: Hanger for CPVC pipe in the horizontal position on the bottom of structural wood beams and Steel 20 Ga. (min.) (Fig. A). *Can be used as a restrainer, only in Steel 20 Ga. (min.) (Fig. B).* During installation, adjust hanger mounting flanges such that pipe contacts both mounting surface and hanger, minimizing vertical pipe movement.

Approvals: UL and ULC Listed.

Installation:

- Snap hanger over pipe.
- Secure hanger to mounting surface with screws provided.
- Do not anchor tightly to mounting surface. Pipe must be allowed to move freely through hanger.
- Steel applications require two (2) #14 x 1" hex washer head self-drilling TEK screws. Not Supplied. Part Number STD-0090.

Features:

- Beveled edge design helps protect the CPVC pipe from any rough surface.
- Easily attaches to wood structure with #10 x 1" hex washer head self threading screw supplied with product. No pre-drilling required.

Ordering: Specify CPVC pipe size, figure number and description.

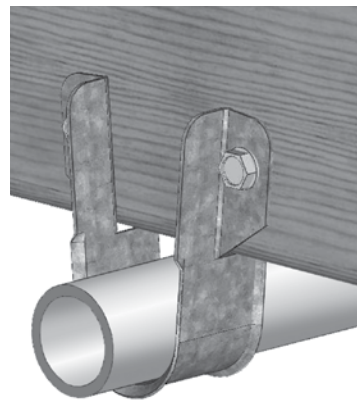
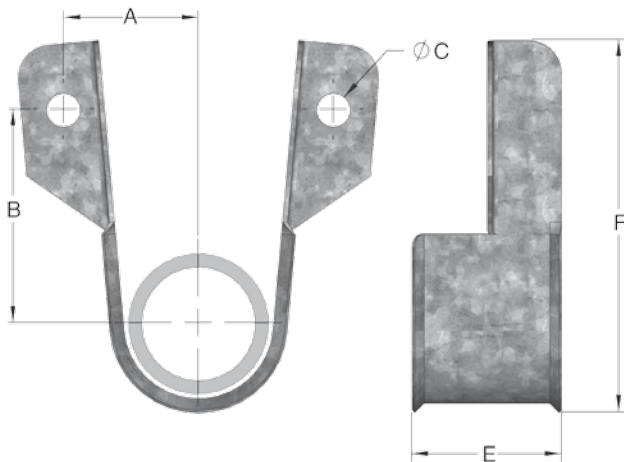


Fig. A

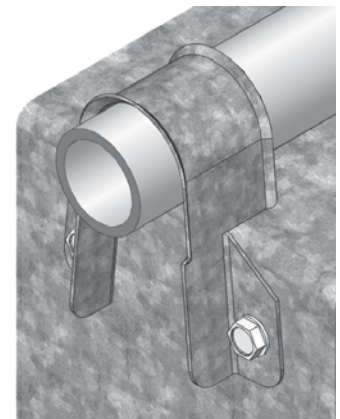


Fig. B

FIG. 187: WEIGHT (LBS) • DIMENSIONS (IN)

CPVC Pipe Size	A	B	øC	E	F	Max. Hanger Spacing (FT.)	Approx. Weight/100 (lbs)
3/4	1	1½	¼	1½	2¾	5½	5
1	1⅛	1½	¼	1½	2 ¹³ / ₁₆	6	6
1¼	1 ⁵ / ₁₆	1¾	¼	1½	3¼	6½	7
1½	1½	1⅞	¼	1½	3½	7	8
2	1¾	2	¼	1½	3⅞	8	9