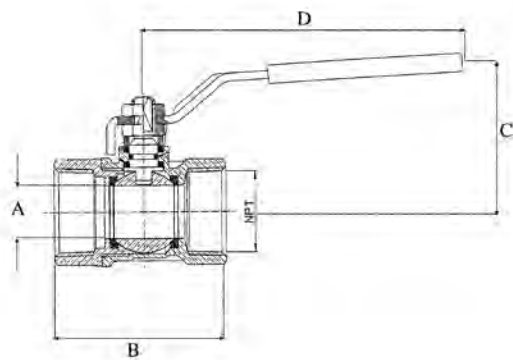


# COMMERCIAL PRODUCTS CATALOG

## Forged Brass Ball Valves (International)

### 64 SERIES



### APOLLO INTERNATIONAL™ FULL PORT BRASS BALL VALVES

Economy full port forged brass ball valve with maximum flow; ideal choice for all plumbing applications. Lever handle is standard on all sizes.

#### FEATURES

- Sizes from 1/4" to 4"
- Threaded (-100) and solder end (-200) connections
- Pressure rated to 600 psig CWP non-shock, all sizes
- Adjustable stem packing nut
- Temperatures to 366°F (185°C)
- Blowout-proof stem
- Chrome plated brass ball
- Secondary o-ring stem seal
- PTFE seats, thrust bearing and stem packing

64-100 NPT Model Number	Size (in.)	Dimensions (in.)				Cv	Wt. Ea.
		A	B	C	D		
64-101-01	1/4 NPT	0.39	2.02	1.75	3.85	6	0.33
64-102-01	3/8 NPT	0.39	2.02	1.75	3.85	7	0.30
64-103-01	1/2 NPT	0.59	2.44	1.88	3.85	19	0.51
64-104-01	3/4 NPT	0.78	2.71	2.28	4.80	34	0.80
64-105-01	1 NPT	0.98	3.07	2.44	4.80	50	1.25
64-106-01	1-1/4 NPT	1.25	3.42	3.07	6.02	104	2.26
64-107-01	1-1/2 NPT	1.57	3.89	3.34	6.02	268	3.39
64-108-01	2 NPT	1.96	4.33	3.79	6.37	309	4.25
64-109-01	2-1/2 NPT	2.56	5.59	5.02	8.07	629	8.60
64-10A-01	4 NPT	3.94	7.60	6.34	10.23	1622	22.05

64-200 Solder Model Number	Size (in.)	Dimensions (in.)				Cv	Wt. Ea.
		A	B	C	D		
64-203-01	1/2	0.59	2.53	1.88	3.85	19	0.51
64-204-01	3/4	0.78	2.99	2.28	4.80	34	0.78
64-205-01	1	0.98	3.58	2.44	4.80	50	1.14
64-206-01	1-1/4	1.25	4.09	3.07	6.02	104	2.07
64-207-01	1-1/2	1.57	4.56	3.34	6.02	268	3.42
64-208-01	2	1.96	5.43	3.79	6.37	309	4.49
64-209-01	2-1/2	2.56	6.93	5.02	8.07	629	10.00
64-200-01	3	3.15	8.09	5.45	8.07	1018	15.00
64-20A-01	4	4.13	10.25	6.34	10.23	1622	25.00

#### STANDARDS COMPLIANCE

- ANSI Z21.15.CGA9.1
- AGA No. 3-88
- ANSI B1.20.1
- ANSI B16.18
- CAN/CGA-3.16-M88
- ASME/ANSI B16.33
- ASME/ANSI B16.38
- MSS SP-110
- UL Guide YSDT
- UL Guide YRPV
- UL Guide VQGU
- ANSI/NSF 61-8
- RoHS Compliant
- ASME B16.44
- Gas approvals apply to NPT models only

