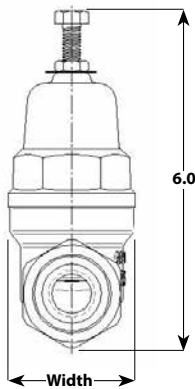
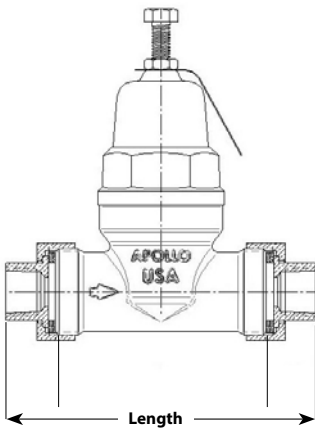


WATER PRESSURE REDUCING VALVES

Water Pressure Reducing Valves

PRE (36E) SERIES



SUPER EFFICIENT RESIDENTIAL AND COMMERCIAL APPLICATIONS

The Apollo® 36E is designed to protect residential and commercial water supplies by automatically reducing elevated supply pressures. The streamlined dezincification resistant bronze body and dielectric polymer cage provide maximum corrosion resistance. Designed for easy in-line servicing with simple cartridge removal.

FEATURES

- High efficiency flow
- Balanced piston design
- Sealed cage for vault installations
- Built-in thermal expansion by-pass
- Integral stainless steel strainer
- SS adjusting screw and nut
- Control pressure ranges: 15-75 psi and 75-150 psi
- Maximum supply pressure: 400 psig
- Working temperature range: 33°F - 180°F
- **Lead Free** option (36ELF)
- 100% manufactured in USA

Designate Lead Free by adding **LF** to Series No. (ex. **36ELF-124-01S**)

Size	Connection	No Union Length (in.)	Single Union Length (in.)	Double Union Length (in.)	Width (in.)	WT. (Union) (lbs)
1/2	Thread	3.63	4.50	5.38	2.75	2.4
	Solder	3.63	4.50	5.50	2.75	2.4
	PEX	3.63	4.50	5.50	2.75	2.4
	CPVC	3.63	4.25	5.00	2.75	2.4
	XPress	5.6	4.6	5.48	2.75	2.4
	Push	5.7	N/A	N/A	2.75	2.4
3/4	Thread	3.63	4.50	5.50	2.75	2.4
	Solder	3.63	4.50	5.50	2.75	2.4
	PEX	3.63	4.63	5.63	2.75	2.4
	CPVC	3.63	4.50	5.50	2.75	2.4
	XPress	5.6	4.6	5.79	2.75	2.4
	Push	5.7	N/A	N/A	2.75	2.4
1	Thread	3.63	4.63	5.75	3.38	2.7
	Solder	3.63	4.63	5.75	3.38	2.7
	PEX	3.63	4.75	6.00	3.38	2.7
	CPVC	3.63	4.75	6.00	3.38	2.7
	XPress	5.8	4.6	5.91	3.38	2.7
	Push	5.8	N/A	N/A	3.38	2.7

Pipe Size (in.)	Fall Off (PSI)	Pressure Differential (PSI)		
		25	50	75
1/2"	10	10	13	16
	15	13	18	22
	20	17	23	29
	30	22	29	36
3/4"	10	16	21	26
	15	20	27	32
	20	24	32	40
	30	29	38	48
1"	10	25	33	41
	15	30	42	52
	20	34	45	56
	30	35	47	59

PART NUMBER MATRIX

36E	36ELF -	1	X	X	X	X
		STYLE	UNION	SIZE	PRESSURE	CONNECTION
36E - Standard		1	0 - No Union (NPT)	3 - 1/2"	01 - 15-75 psig	T - FNPT Thread
36ELF - Lead Free			1 - Single Union	4 - 3/4"	03 - 75-150 psig	S - Solder
			2 - Double Union	5 - 1"		C - CPVC
						P - Push
						X - PEX
						PR - Press

EXAMPLES:

36E-114-01T = 3/4" Single Union with NPT Connections, Pressure Range 15-75 psig.

36E-124-01S = 3/4" Double Union with Solder Connections, Pressure Range 15-75 psig.



See Water Pressure Reducing Valves Catalog (PHBRWPRV) for more detailed information about the products in this section.

Customer Service (704) 841-6000