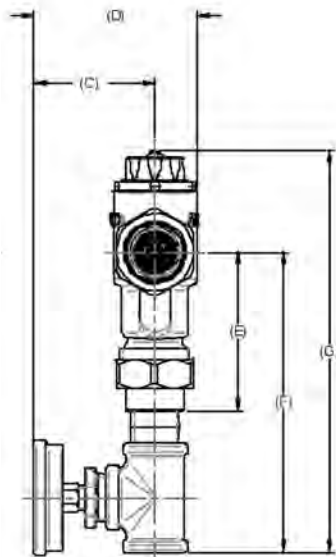
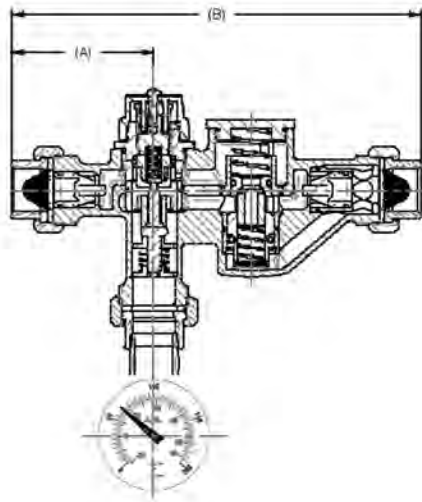


Emergency Eye Wash/Face Wash Mixing Valve

MVE (34E) SERIES



MVE 34E EMERGENCY MIXING VALVE

Designed to control the cold and hot water temperature to deliver tepid water at a predetermined temperature to emergency eyewash/facewash fixtures. The device provides a precise temperature and flow control in the event of cold water, hot water and thermostatic element failures.

FEATURES

- Hot & cold water supply failure protection patented design
- Tepid water temperature limit control and adjustment
- Tepid water temperature adjustment handle with locking mechanism for tamper-resistant protection
- Integral inlet check valves and strainers
- Superior thermostatic element technology for optimum reliability and dependability
- Thermostatic element failure and over travel protection
- High efficiency and positive shut-off check valves
- In-line accessibility and serviceability of failure protection module and mixing valve internal components
- ASSE 1071 approved
- Meets ANSI/ISEA Z358.1-2009
- Meets requirements of the EPA Safe Drinking Water Act
- Corrosion resistant components
- **Lead Free** option (34ELF)

Model No.	MVE-12	MVES-12	MVE-34	MVES-34
Series No.	34E103T	34E103S	34E104T	34E104S
Series No. with Temp. Gauge	34E113T	34E113S	34E114T	34E114S
Connection	1/2" NPT	1/2" Solder	3/4" NPT	3/4" Solder
A (in.)	3.09	3.22	3.09	3.10
B (in.)	8.90	9.15	8.90	8.90
C (in.)	2.66	2.66	2.67	2.67
D (in.)	3.60	3.60	3.60	3.60
E (in.)	3.45	3.45	3.45	3.45
F (in.)	5.77	5.77	6.32	6.32
G (in.)	7.83	7.83	8.39	8.39
Unit Wt. (lbs.)	3.94	3.73	5.13	5.07

To order Repair Kits use part number 34E100RK.

TYPICAL INSTALLATIONS

