

COPPER TUBING HANGERS

Fig. 67F

Copper Tube Felt Lined Hanger

Size Range: 1/2" through 6" copper tube

Material: Carbon steel and felt with adhesive backing

Finish: Galvanized

Service: Can be suspended by hanger rod or attached to wall. "T" slot in hanger permits side bolt to be installed after installation and setting of pipe.

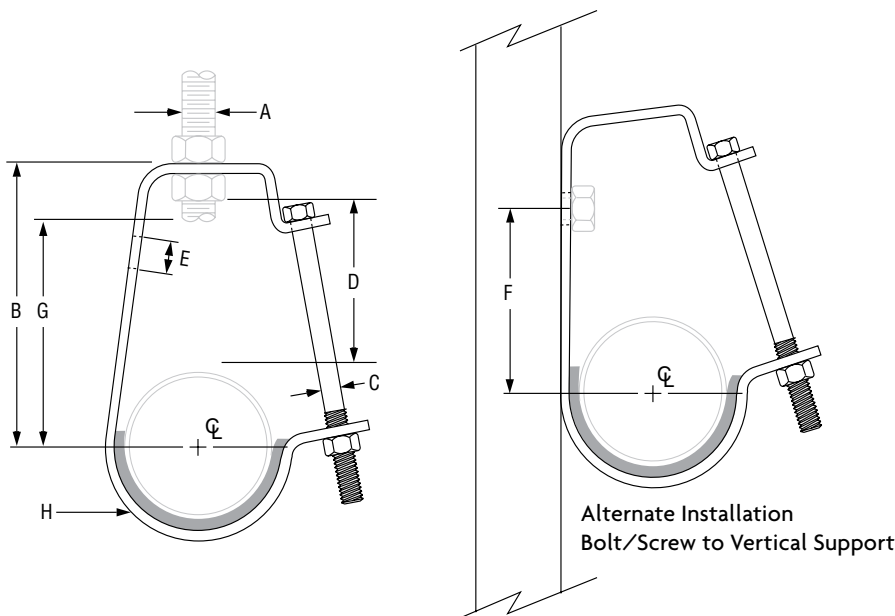
Maximum Temperature: 120°F

Approvals: Complies with Federal Specification A-A-1192A (Type 5), ANSI/MSS SP-69 and MSS SP-58 (Type 5).

Features: The layer of felt separates the copper tubing from the steel strap for electrolytic resistance and also minimizes noise and vibration.

Components: Strap and bolt with nut – assembled.

Ordering: Specify felt hanger size, figure number and name.



FELT LINED HANGER: IPS SIZING • DIMENSIONS (IN)	
Pipe Size	Felted Hanger Size
3/4	1 1/4
1	1 1/2
1 1/4	2
1 1/2	2
2	2 1/2
2 1/2	3
3	4
4	5
5	6

FIG. 67F: LOADS (LBS) • WEIGHT (LBS) • DIMENSIONS (IN)

Tube Size	Felt Hanger Size	Load Rating	Rod Size A	B	C	D	E	F	G	H Width	Weight		
1/2	3/4	400	3/8	2 1/2	1/4	1 5/8	7/16	1 5/16	1 3/4	1	0.22		
3/4	1			2 11/16		1 11/16		1 15/16	0.25				
1	1 1/4			2 13/16		1 13/16		2 1/8	0.27				
1 1/4	1 1/4			3 1/8		1 7/8		2 9/16	0.27				
1 1/2	1 1/2			3 7/16		2 1/16		2 3/4	0.29				
2	2			3 3/16		2		2 5/16	0.31				
2 1/2	2 1/2	500	1/2	4 5/16	3/8	2 5/16	9/16	3 1/16	3 1/2	1 1/4	0.71		
3	3			4 3/4		2 1/2		3 1/2	4 1/16		0.78		
4	4			6 1/16		3 1/8		4 5/8	5 3/16		1.39		
5	5			6 11/16		3 3/16		5 1/8	5 13/16		1.66		
6	6			600		3/4		7 3/4	3 9/16		5 15/16	6 3/4	2.26