

Fig. 292: Right-Hand Thread Universal Forged Steel (UFS) Beam Clamp Fig. 292L: Left-Hand Thread with and without Weldless Eye Nut

Material: Forged steel

Finish: Plain or Galvanized

Service: For suspension of heavy loads from beams with flange widths to 15" and flange thickness to 1.031.

Approvals: Complies with Federal Specification A-A-1192A (Type 28 without links; Type 29 with links), WW-H-171-E (Type 28 without links; Type 29 with links), ANSI/MSS SP-69 and MSS SP-58 (Type 28 without links; Type 29 with links).

Installation: Fit jaws over edges of lower beam flange and tighten nuts on tie rod to lock clamp in place.

Features:

- Weldless eye nut provides for horizontal pipe movement without binding.
- Weldless eye nut is furnished tapped to any specified rod size up to the maximum rod size.
- Tie rod assures a tight non-slip fit to the beam.
- Self locking nut with a nylon insert prevents the nut from working loose.

Ordering: Specify clamp size, figure number, name, rod size and finish.

Note: The application of a load to a structural beam by means of a beam clamp produces a transverse stress, perpendicular to the axis of the beam, in the flange to which the load is applied.

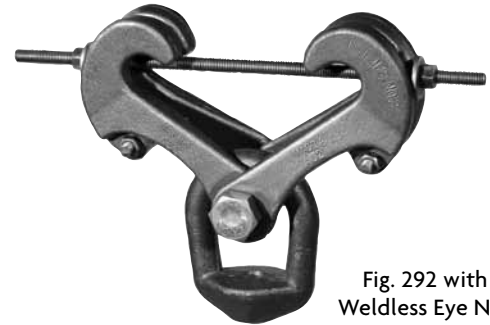


Fig. 292 with Weldless Eye Nut

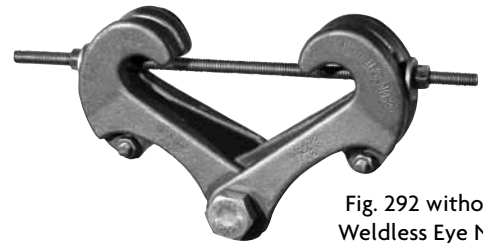


Fig. 292 without Weldless Eye Nut

**FIG. 292, FIG. 292L:
LOADS (LBS) • WEIGHT (LBS) • DIMENSIONS (IN)**

Clamp Size No.	Max Rod Size A	Max Load ■	Weight	Z Max ❖	B	Jaw and Eye Nut Size ▲
1	3/4	3,230	3.9	0.60	1 1/4	292 - 1 / 1
2	1		9.2		1 11/16	292 - 2 / 2
3 •			13.0		1 1/2	292 - 3 / 2
4	21.7					
5 •	33.9					
6	1 1/2	11,500	23.9	1.031	2 1/8	292 - 3 / 3
7 •			35.8		4 9/16	292 - 3 / 4
8	2		36.8			

▲ For reference only, order by clamp size.

• Furnished with links.

■ Note: Load capacity based on rod sizes shown. For load capacity of other rod sizes see page 257.

❖ For actual "Z" dimensions see table on page 258.

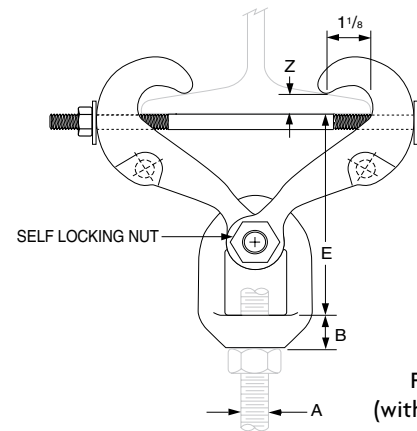


Fig. 292 (without Links)

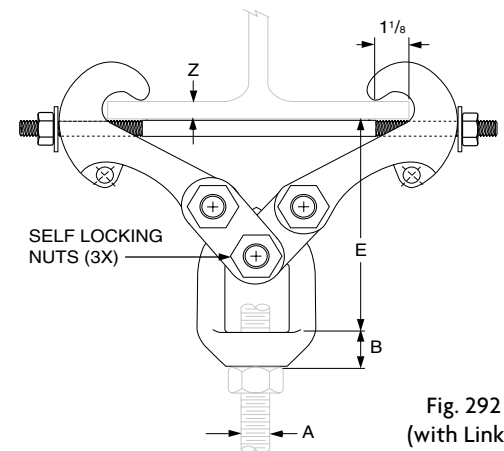


Fig. 292 (with Links)

Clamp Size No.	Width of Beam Flange (in)												
	Rod Take Out - E (in)												
	3	4	5	6	7	8	9	10	11	12	13	14	15
1	4 1/2	4 5/16	4 1/16	3 5/8	2 7/8	-	-	-	-	-	-	-	-
2	-	4 3/4	4 7/16	4 1/16	3 3/8	-	-	-	-	-	-	-	-
3 •	-	-	-	-	5 15/16	6	5 5/16	5	-	-	-	-	-
4	-	6 13/16	6 5/8	6 3/8	5 7/8	5 5/8	5 3/8	4 13/16	-	-	-	-	-
5 •	-	-	-	-	-	-	-	-	8 1/8	7 3/4	7 1/8	6 5/8	6 1/16
6	-	7 3/16	7	6 3/4	6 1/4	6 5/16	5 13/16	5 3/16	-	-	-	-	-
7 •	-	-	-	-	-	-	-	-	8 1/2	8 1/8	7 1/2	7	6 1/16
8	-	8 5/8	8 7/16	8 3/16	7 3/4	7 3/4	7 1/4	6 5/8	-	-	-	-	-

- Table of Contents
- General Notes
- Copper Tubing Hangers
- Stainless Steel Hangers
- CPVC Pipe Hangers
- Pipe Rings
- Clevis Hangers
- Steel Pipe Clamps
- Socket Clamps
- Beam Clamps
- Structural Attachments
- Brackets
- Ceiling Plates & Flanges
- Concrete Inserts & Attachments
- Hanger Rods
- Rod Attachments
- Bolts, Nuts, Pins & U-Bolts