

# Butt Fusion Fittings

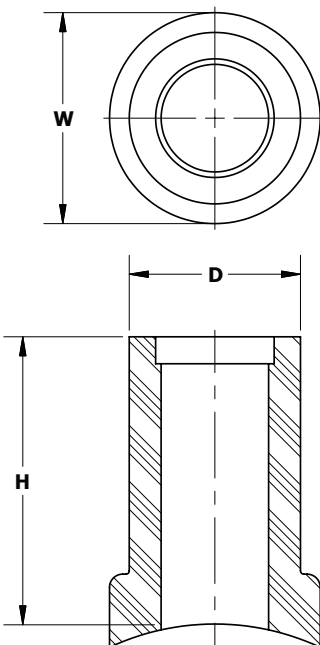
## Service Saddle

BUTT / SOCKET FUSION COMBO  
3408/4710 HDPE



| Branch Saddle - 3408/4710 HDPE |              |                 |             |
|--------------------------------|--------------|-----------------|-------------|
| Main Size                      | Outlet Size  | Part Number     | Package Qty |
| 2" IPS                         | 2" IPS DR-11 | 4472-17-0617-00 | 1           |
| 3" IPS                         |              | 4472-19-0617-00 | 1           |
| 4" IPS                         |              | 4472-21-0617-00 | 1           |
| 6" IPS                         |              | 4472-24-0617-00 | 1           |
| 8" IPS                         |              | 4472-26-0617-00 | 1           |
| 10" IPS                        |              | 4472-27-0617-00 | 1           |
| 12" IPS                        |              | 4472-28-0617-00 | 1           |

• For sizes not listed, contact Continental Industries.



| Branch Saddle Dimensions |       |       |       |
|--------------------------|-------|-------|-------|
| Part Number              | H     | W     | D     |
| 4472-17-0617-00          | 5.000 | 2.750 | 2.375 |
| 4472-19-0617-00          |       |       |       |
| 4472-21-0617-00          |       |       |       |
| 4472-24-0617-00          |       |       |       |
| 4472-26-0617-00          |       |       |       |
| 4472-27-0617-00          |       |       |       |
| 4472-28-0617-00          |       |       |       |

- All values are nominal dimensions.
- "H" dimensions may vary slightly with the size of the main diameter ordered.